

Адаптеры BSP

Страница / Page	4	4	5	5	
BSP nipples					
	1700 Union	1800 Reducing Connector	R605 Male-Female Reducing M BSP x F BSP	2000 Male-Female Union M BSP x F BSP	
	Страница / Page				
	6	6	7	7	
BSP nipples					
	2010 Male-Female Connector M BSP x F BSP	2020 Male/Male Extention	A106 Bulkhead	A107 Bulkhead locknut	A108Z Nipple for Bulkhead
	Страница / Page				
	8	8	9	9	
BSP male					
	4520 90° Elbow Union	4530 45° Elbow Union	4730 Union Tee	4900 Cross Union	
	Страница / Page				
	10	10	11	11	12
BSP tee swivel					
	4700 Run Tee Connector BSP Swivel Female	4710 Branch Tee Connector BSP Swivel Female	4800 Run Tee Connector BSP Male	4810 Branch Tee Connector BSP Male	4720 Union Tee BSP Swivel Female
	Страница / Page				
	12	13	13		
BSP m/f swivel 1 piece					
	2350 Swivel Connector M BSP x F BSP	4500 90° Swivel Elbow M BSP x F BSP	4510 45° Swivel Elbow M BSP x F BSP		
	Страница / Page				
	14	14	15	15	
BSP m/f swivel comp.			BSP m/f swivel welded		
	3200 90° Comp. Swivel elbow M BSPxF BSP welded	3320 45° Comp. Swivel elbow M BSPxF BSP Forged		2550 90° Swivel Elbow M BSP x F BSP welded	2650 45° Swivel Elbow M BSP x F BSP welded

Dimensions and general characteristics may be changed at any time without prior notice.

Data contained herein are for information purpose only, and it does not enlarge, amend or imply any warranty other than provided by us with the product
Any use of the product not in conformance with our instructions may be dangerous.

Адаптеры BSP

Страница / Page	16	16	17	17	
BSPP f/f swivel 1 piece			BSPP f/f swivel welded		
	2450 Swivel Connector F BSP x F BSP	4550 90° Swivel Elbow F BSP x F BSP	2750 90° Swivel Elbow F BSP x F BSP welded	2850 45° Swivel Elbow F BSP x F BSP welded	
Страница / Page	18	18	19		
BSPP f/f					
	4570 90° Elbow Union F BSP x F BSP	4820 Union Tee F BSP x F BSP x F BSP	A105 Union F BSP x F BSP		
Страница / Page	19	20	20		
BSPP plug swivel		BSPP plugs			
	A608 BSP Female Plug Swivel	A604 BSP Female Plug	A605 BSP Male Plug		
Страница / Page	21	21	22	22	
BSPP weldable					
	A051 BSP Female End Weldable - Swivel	1850 BSP Male End (hex) Weldable	220C BSP Male End (round) Weldable	2200 Threaded Sleeve Weldable	
Страница / Page	23	24	24	25	25
BSPP BSPT					
	1865 Male Connector M BSP x M BSPT	2360 Swivel Connector M BSPT x F BSP	4860 Branch Tee Connector BSP - BSPT - BSP	4620 90° Elbow Connector M BSP x M BSPT	4630 45° Elbow Connector M BSP x M BSPT
Страница / Page	26	26			
BSPP BSPT					
	4600 90° Swivel Elbow F BSP x M BSPT	4610 45° Swivel Elbow F BSP x M BSPT			

Dimensions and general characteristics may be changed at any time without prior notice.

Data contained herein are for information purpose only, and it does not enlarge, amend or imply any warranty other than provided by us with the product
Any use of the product not in conformance with our instructions may be dangerous.

Адаптеры BSP

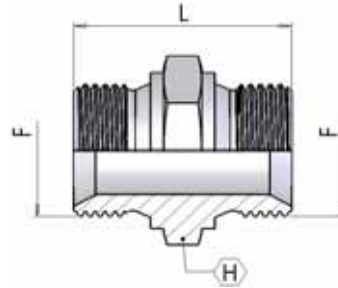
Страница / Page	27	28	28	29	29	30
BSP NPTF						
	1875 Male Connector M BSP x M NPTF	2365 Swivel Connector M NPTF x F BSP	4870 Branch Tee Connector BSP - NPTF - BSP	4670 90° Elbow Connector M BSP x M NPTF	4680 45° Elbow Connector M BSP x M NPTF	4650 90° Swivel Elbow F BSP x M NPTF
Страница / Page	30	31	32	32	33	
BSP NPTF		BSP BSP Adj.				
	4660 45° Swivel Elbow F BSP x M NPTF		3900 Adjustable Elbow M BSP x M BSP Adj.	3255 Adjustable Elbow F BSP x M BSP Adj.	3600 Adjustable Run Tee BSP - BSP - BSP Adj.	3605 Adjustable Branch Tee BSP - BSP Adj. - BSP
Страница / Page	34	35	35	36	36	
BSP metric						
	1805 Male Connector M BSP x M Metric 60°	2370 Swivel Nut female F Metric 60° x M BSP	3510 Male Connector M BSP x M Metric	3515 Long Male Connector M BSP x M Metric	3560 Swivel Nut female M Metric x F BSP	
Страница / Page	37	37	38	38	39	
BSP metric						
	3910 Adjustable Elbow M BSP x M Metric	3915 Long Adjustable Elbow M BSP x M Metric	3410 Adjustable 45° Elbow M BSP x M Metric	3610 Adjustable Run Tee BSP - BSP - Metric	3615 Adjustable Branch Tee BSP - Metric - BSP	
Страница / Page	40	40	41	41	42	
BSP UNF						
	3520 Male Connector M BSP x M UNF	3525 Long Male Connector M BSP x M UNF	3570 Swivel Nut female F BSP x M UNF	3920 Adjustable Elbow M BSP x M UNF	3925 Long Adjustable Elbow M BSP x M UNF	
Страница / Page	42	43	43			
BSP UNF						
	3420 Adjustable 45° Elbow M BSP x M UNF	3620 Adjustable Run Tee BSP - BSP - UNF	3625 Adjustable Branch Tee BSP - UNF - BSP			

Dimensions and general characteristics may be changed at any time without prior notice.

Data contained herein are for information purpose only, and it does not enlarge, amend or imply any warranty other than provided by us with the product
Any use of the product not in conformance with our instructions may be dangerous.

1700 **Коннектор**

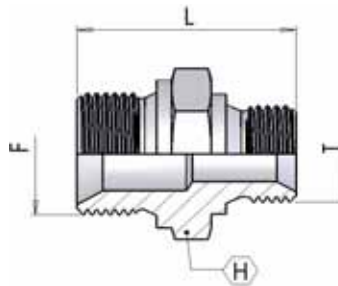
Union



part number	Ø tube		Dimensions		
	mm	inch	F	L	H
1700-02-02	6	1/4"	1/8-28	24	14
1700-04-04	8	5/16"	1/4-19	32	19
1700-06-06	10	3/8"	3/8-19	36	22
1700-08-08	12	1/2"	1/2-14	42	27
1700-10-10	16	5/8"	5/8-14	40	30
1700-12-12	20	3/4"	3/4-14	42	32
1700-16-16	25	1"	1-11	52	41
1700-20-20	32	1.1/4"	1.1/4-11	57	50
1700-24-24	38	1.1/2"	1.1/2-11	60	55
1700-32-32	51	2"	2-11	71	70

1800 **Редукционный коннектор**

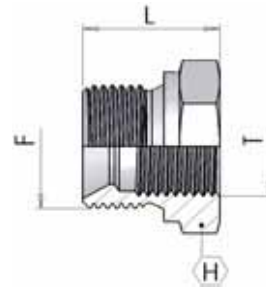
Reducing Niple



part number	Ø tube		Dimensions			
	mm	inch	F	T	L	H
1800-04-02	6	1/4"	1/4-19	1/8-28	30	19
1800-06-02	6	1/4"	3/8-19	1/8-28	30	22
1800-06-04	8	5/16"	3/8-19	1/4-19	34	22
1800-08-04	8	5/16"	1/2-14	1/4-19	35	27
1800-08-06	10	3/8"	1/2-14	3/8-19	40	27
1800-10-08	12	1/2"	5/8-14	1/2-14	44	30
1800-12-04	8	5/16"	3/4-14	1/4-19	41	32
1800-12-06	10	3/8"	3/4-14	3/8-19	42	32
1800-12-08	12	1/2"	3/4-14	1/2-14	44	32
1800-12-10	16	5/8"	3/4-14	5/8-14	46	32
1800-16-06	10	3/8"	1-11	3/8-19	45	38
1800-16-08	12	1/2"	1-11	1/2-14	47	41
1800-16-12	20	3/4"	1-11	3/4-14	49	41
1800-20-12	20	3/4"	1.1/4-11	3/4-14	52	50
1800-20-16	25	1"	1.1/4-11	1-11	55	50
1800-24-12	20	3/4"	1.1/2-11	3/4-14	54	55
1800-24-16	25	1"	1.1/2-11	1-11	58	55
1800-24-20	32	1.1/4"	1.1/2-11	1.1/4-11	58	55
1800-32-16	25	1"	2-11	1-11	64	70
1800-32-20	32	1.1/4"	2-11	1.1/4-11	66	70
1800-32-24	38	1.1/2"	2-11	1.1/2-11	68	70

R605 Редукционный коннектор наружная

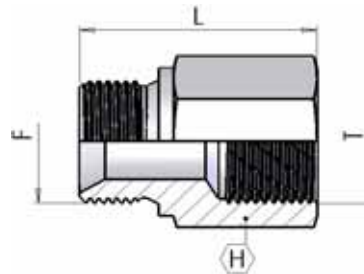
Short Male-Female reducing



part number	Ø tube		Dimensions			
	mm	inch	F	T	L	H
R605-04-02	6	1/4"	1/4"-19	1/8"-28	22	19
R605-06-02	6	1/4"	3/8"-14	1/8"-28	22	22
R605-06-04	8	5/16"	3/8"-19	1/4"-19	21	22
R605-08-04	8	5/16"	1/2"-14	1/4"-19	24	27
R605-08-06	10	3/8"	1/2"-14	3/8"-19	29	27
R605-12-04	8	5/16"	3/4"-14	1/4"-19	27	32
R605-12-06	10	3/8"	3/4"-14	3/8"-19	26	32
R605-12-08	12	1/2"	3/4"-14	1/2"-14	27	32
R605-16-06	10	3/8"	1-11	3/8"-19	31	41
R605-16-08	12	1/2"	1-11	1/2"-14	30	41
R605-16-12	20	3/4"	1-11	3/4"-14	31	41
R605-20-12	20	3/4"	1.1/4-11	3/4"-14	34	50
R605-20-16	25	1"	1.1/4-11	1-11	34	50
R605-24-16	25	1"	1.1/2-11	1-11	35	55
R605-24-20	32	1.1/4"	1.1/2-11	1.1/4-11	39	55
R605-32-20	32	1.1/4"	2-11	1.1/4-11	43	70
R605-32-24	38	1.1/2"	2-11	1.1/2-11	43	70

2000 Адаптер наружная/внутренняя |

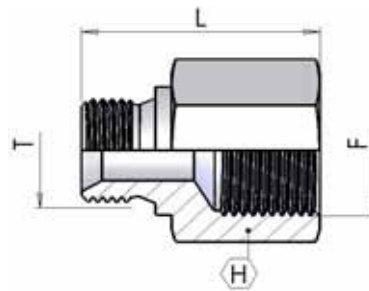
Male/female connector



part number	Ø tube		Dimensions			
	mm	inch	F	T	L	H
2000-04-33	8	5/16"	1/4-19	1/4-19	33	19
2000-04-42	8	5/16"	1/4-19	1/4-19	42	19
2000-04-55	8	5/16"	1/4-19	1/4-19	55	19
2000-06-35	10	3/8"	3/8-19	3/8-19	35	22
2000-06-54	10	3/8"	3/8-19	3/8-19	54	22
2000-06-65	10	3/8"	3/8-19	3/8-19	65	22
2000-08-45	12	1/2"	1/2-14	1/2-14	45	27
2000-08-60	12	1/2"	1/2-14	1/2-14	60	27
2000-08-80	12	1/2"	1/2-14	1/2-14	80	27
2000-08-64	12	1/2"	1/2-14	1/2-14	64	27
2000-12-48	20	3/4"	3/4-14	3/4-14	48	32
2000-12-64	20	3/4"	3/4-14	3/4-14	64	32
2000-12-75	20	3/4"	3/4-14	3/4-14	75	32
2000-16-50	25	1"	1-11	1-11	50	41
2000-16-90	25	1"	1-11	1-11	90	41
2000-20-62	32	1.1/4"	1.1/4-11	1.1/4-11	62	50

2010 **Адаптер редукционный наружн**

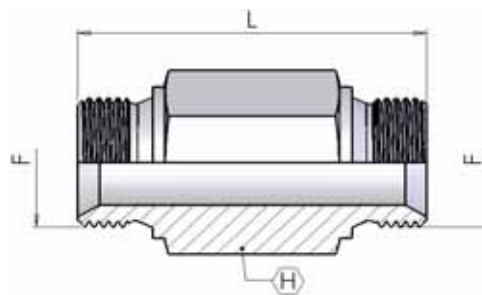
Female-Male reducing



part number	Ø tube		Dimensions			
	mm	inch	F	T	L	H
2010-02-04	8	5/16"	1/8-28	1/4-19	28	19
2010-04-02	6	1/4"	1/4-19	1/8-28	29	19
2010-04-06	10	3/8"	1/4-19	3/8-19	35	22
2010-04-08	12	1/2"	1/4-19	1/2-14	36	27
2010-06-04	8	5/16"	3/8-19	1/4-19	33	22
2010-06-08	12	1/2"	3/8-19	1/2-14	37	27
2010-08-04	8	5/16"	1/2-14	1/4-19	37	27
2010-08-06	10	3/8"	1/2-14	3/8-19	39	27
2010-08-12	20	3/4"	1/2-14	3/4-11	38	32
2010-08-16	25	1"	1/2-14	1-11	42	41
2010-12-04	8	5/16"	3/4-11	1/4-19	42	32
2010-12-06	10	3/8"	3/4-11	3/8-19	43	32
2010-12-08	12	1/2"	3/4-11	1/2-14	45	32
2010-12-16	25	1"	3/4-11	1-11	49	41
2010-16-08	12	1/2"	1-11	1/2-14	49	41
2010-16-12	20	3/4"	1-11	3/4-14	50	41
2010-16-20	20	3/4"	1-11	1.1/4-11	51	50
2010-20-12	20	3/4"	1.1/4-11	3/4-11	51	50
2010-20-16	25	1"	1.1/4-11	1-11	53	50
2010-20-24	20	3/4"	1.1/4-11	1.1/2-11	57	55
2010-24-16	25	1"	1.1/2-11	1-11	50	55
2010-24-20	20	3/4"	1.1/2-11	1.1/4-11	52	55
2010-32-20	20	3/4"	2-11	1.1/4-11	68	70
2010-32-24	38	1.1/2"	2-11	1.1/2-11	68	70

2020 **Коннектор удлиненный**

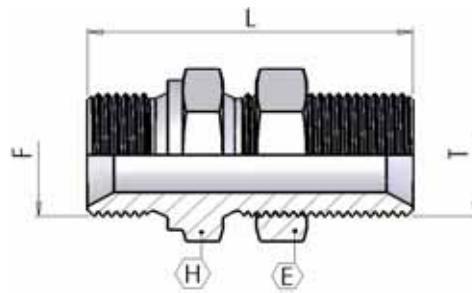
Male/Male Extention



part number	Ø tube		Dimensions		
	mm	inch	F	L	H
2020-04-04	8	5/16"	1/4-19	45	19
2020-06-06	10	3/8"	3/8-19	47	22
2020-08-08	12	1/2"	1/2-14	61	27
2020-12-12	20	3/4"	3/4-14	73	32
2020-16-16	25	1"	1-11	84	41

A106 Контргайка

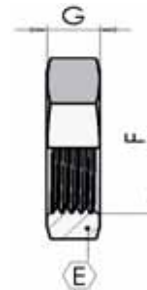
Bulkhead



part number	Ø tube		Dimensions				
	mm	inch	F	T	L	H	E
A106-02	6	1/4"	1/8-28	1/8-28	35	14	14
A106-04	8	5/16"	1/4-19	1/4-19	46	19	19
A106-06	10	3/8"	3/8-19	3/8-19	54	22	22
A106-08	12	1/2"	1/2-14	1/2-14	57	27	27
A106-10	16	5/8"	5/8-14	5/8-14	65	30	30
A106-12	20	3/4"	3/4-14	3/4-14	65	32	32
A106-16	25	1"	1-11	1-11	73	41	41
A106-20	32	1.1/4"	2-11	2-11	79	50	50

A107 Контргайка

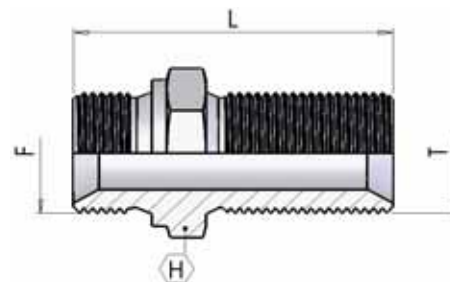
Bulkhead locknut



part number	Ø tube		Dimensions			
	mm	inch	F		G	E
A107-02	6	1/4"	1/8-28		5	14
A107-04	8	5/16"	1/4-19		7	19
A107-06	10	3/8"	3/8-19		8	22
A107-08	12	1/2"	1/2-14		9	27
A107-10	16	5/8"	5/8-14		9	30
A107-12	20	3/4"	3/4-14		10	32
A107-16	25	1"	1-11		11	41
A107-20	32	1.1/4"	2-11		13	50

A108 Ниппель для контргайки

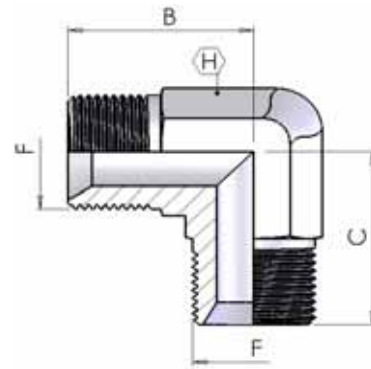
Nipple for Bulkhead



part number	Ø tube		Dimensions				
	mm	inch	F	T	L	H	
A108-02Z	6	1/4"	1/8-28	1/8-28	35	14	
A108-04Z	8	5/16"	1/4-19	1/4-19	46	19	
A108-06Z	10	3/8"	3/8-19	3/8-19	54	22	
A108-08Z	12	1/2"	1/2-14	1/2-14	57	27	
A108-10Z	16	5/8"	5/8-14	5/8-14	65	30	
A108-12Z	20	3/4"	3/4-14	3/4-14	65	32	
A108-16Z	25	1"	1-11	1-11	73	41	
A108-20Z	32	1.1/4"	2-11	2-11	79	50	

4520 Коннектор 90°

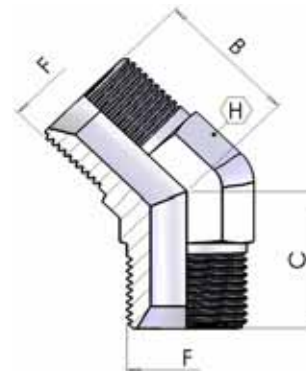
90° Union Elbow



part number	Ø tube		Dimensions			
	mm	inch	F	B	C	H
4520-04	8	5/16"	1/4-19	26	26	14
4520-06	10	3/8"	3/8-19	32	32	19
4520-08	12	1/2"	1/2-14	36	36	22
4520-12	20	3/4"	3/4-14	40	40	27
4520-16	25	1"	1-11	42	42	33
4520-20	32	1.1/4"	1.1/4-11	52	52	41
4520-24	38	1.1/2"	1.1/2-11	59	59	50

4530 Коннектор 45°

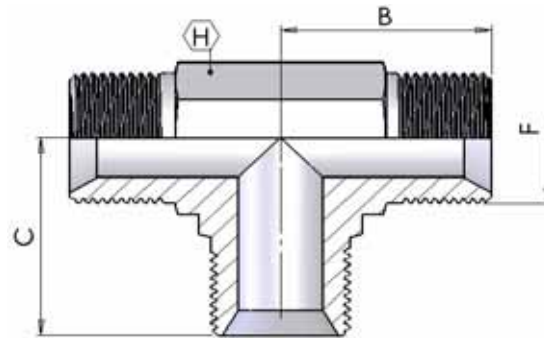
45° Union Elbow



part number	Ø tube		Dimensions			
	mm	inch	F	B	C	H
4530-04	8	5/16"	1/4-19	21	21	14
4530-06	10	3/8"	3/8-19	25	25	19
4530-08	12	1/2"	1/2-14	28	28	22
4530-12	20	3/4"	3/4-14	33	33	27
4530-16	25	1"	1-11	37	37	33
4530-20	32	1.1/4"	1.1/4-11			41
4530-24	38	1.1/2"	1.1/2-11			50

4730 Тройник

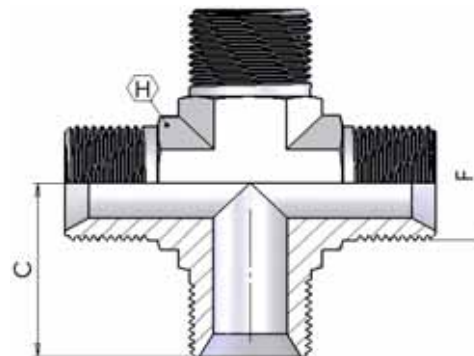
Union Tee



part number	Ø tube		Dimensions			
	mm	inch	F	B	C	H
4730-04	8	5/16"	1/4-19	27	27	14
4730-06	10	3/8"	3/8-19	28	28	19
4730-08	12	1/2"	1/2-14	34	34	22
4730-12	20	3/4"	3/4-14	40	40	27
4730-16	25	1"	1-11	42	42	33
4730-20	32	1.1/4"	1.1/4-11	52	52	41
4730-24	38	1.1/2"	1.1/2-11	59	59	50

4900 X-образный коннектор

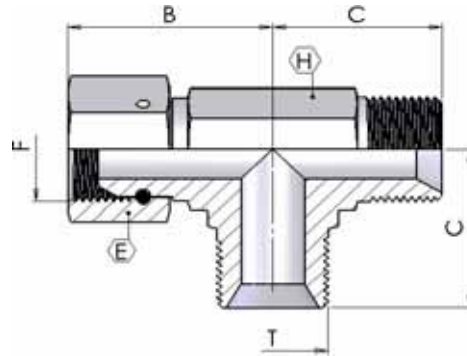
Cross Union



part number	Ø tube		Dimensions		
	mm	inch	F	C	H
4900-04	8	5/16"	1/4-19	27	14
4900-06	10	3/8"	3/8-19	32	19
4900-08	12	1/2"	1/2-14	36	22
4900-12	20	3/4"	3/4-14	40	27
4900-16	25	1"	1-11	50	33

4700 Тройник боковая гайка

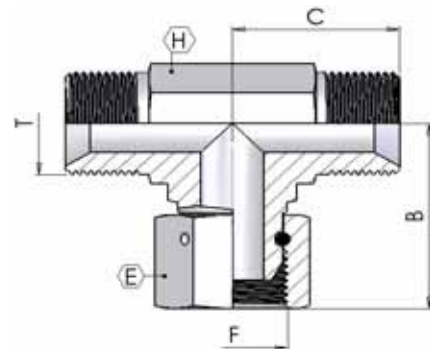
Female run tee



part number	Ø tube		Dimensions					
	mm	inch	F	T	B	C	H	E
4700-04	8	5/16"	1/4-19	1/4-19	32	27	14	19
4700-06	10	3/8"	3/8-19	3/8-19	33	28	19	22
4700-08	12	1/2"	1/2-14	1/2-14	40	34	22	27
4700-12	20	3/4"	3/4-14	3/4-14	48	40	27	32
4700-16	25	1"	1-11	1-11	52	42	33	38
4700-20	32	1.1/4"	1.1/4-11	1.1/4-11	61	52	41	50
4700-24	38	1.1/2"	1.1/2-11	1.1/2-11	61	59	50	55

4710 Тройник нижняя гайка

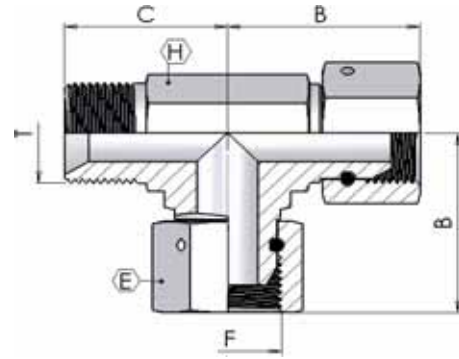
Female branch tee



part number	Ø tube		Dimensions					
	mm	inch	F	T	B	C	H	E
4710-04	8	5/16"	1/4-19	1/4-19	32	27	14	19
4710-06	10	3/8"	3/8-19	3/8-19	33	28	19	22
4710-08	12	1/2"	1/2-14	1/2-14	40	34	22	27
4710-12	20	3/4"	3/4-14	3/4-14	48	40	27	32
4710-16	25	1"	1-11	1-11	52	42	33	38
4710-20	32	1.1/4"	1.1/4-11	1.1/4-11	61	52	41	50
4710-24	38	1.1/2"	1.1/2-11	1.1/2-11	61	59	50	55

4800 **Адаптер Т-образный**

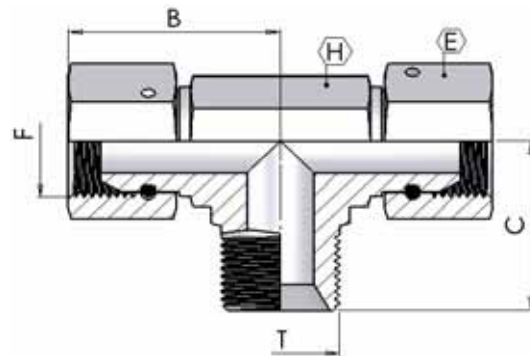
Male Run Tee



part number	Ø tube		Dimensions					
	mm	inch	F	T	B	C	H	E
4800-04	8	5/16"	1/4-19	1/4-19	32	27	14	19
4800-06	10	3/8"	3/8-19	3/8-19	34	32	19	22
4800-08	12	1/2"	1/2-14	1/2-14	40	34	22	27
4800-12	20	3/4"	3/4-14	3/4-14	48	40	27	32
4800-16	25	1"	1-11	1-11	52	42	33	38

4810 **Адаптер Т-образный**

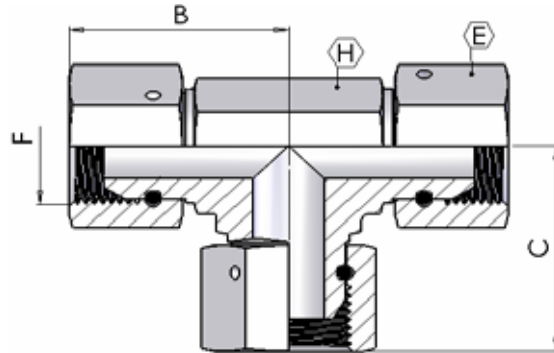
Male Branch Tee



part number	Ø tube		Dimensions					
	mm	inch	F	T	B	C	H	E
4810-04	8	5/16"	1/4-19	1/4-19	32	27	14	19
4810-06	10	3/8"	3/8-19	3/8-19	33	28	19	22
4810-08	12	1/2"	1/2-14	1/2-14	40	34	22	27
4810-12	20	3/4"	3/4-14	3/4-14	48	40	27	32
4810-16	25	1"	1-11	1-11	52	42	33	38

4720 Адаптер Т-образный, накладки

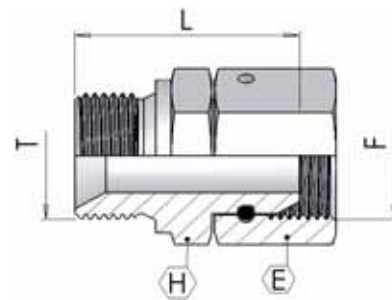
Swivel Female Union Tee



part number	Dimensions				
	F	B	C	H	E
4720-04	1/4-19	32	32	14	19
4720-06	3/8-19	33	33	19	22
4720-08	1/2-14	40	40	22	27
4720-12	3/4-14	48	48	27	32
4720-16	1-11	52	52	33	38
4720-20	1.1/4-11	58	58	41	50
4720-24	1.1/2-11	61	61	50	55

2350 Коннектор, накидная гайка

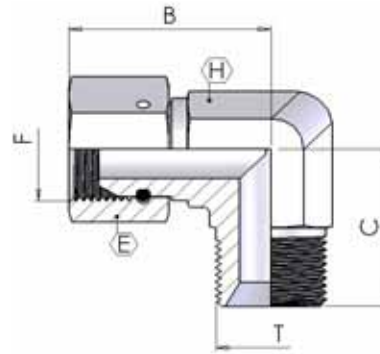
Swivel Connector



part number	Ø tube		Dimensions				
	mm	inch	T	F	L	H	E
2350-02-02	6	1/4"	1/8-28	1/8-28	23	14	14
2350-04-04	8	5/16"	1/4-19	1/4-19	32	19	19
2350-04-06	8	5/16"	1/4-19	3/8-19	33	19	22
2350-06-04	10	3/8"	3/8-19	1/4-19	31	22	19
2350-06-06	10	3/8"	3/8-19	3/8-19	35	22	22
2350-06-08	10	3/8"	3/8-19	1/2-19	36	22	27
2350-06-12	10	3/8"	3/8-19	3/4-14	39	27	32
2350-08-06	12	1/2"	1/2-14	3/8-19	38	27	22
2350-08-08	12	1/2"	1/2-14	1/2-14	40	27	27
2350-08-10	12	1/2"	1/2-14	5/8-14	37	27	30
2350-08-12	12	1/2"	1/2-14	3/4-14	42	27	32
2350-10-10	16	5/8"	5/8-14	5/8-14	41	30	30
2350-12-08	20	3/4"	3/4-14	1/2-14	42	32	27
2350-12-12	20	3/4"	3/4-14	3/4-14	44	32	32
2350-12-16	20	3/4"	3/4-14	1-11	44	32	38
2350-16-12	25	1"	1-11	3/4-19	47	41	32
2350-16-16	25	1"	1-11	1-11	49	41	38
2350-20-20	32	1.1/4"	1.1/4-11	1.1/4-11	55	50	50
2350-24-20	38	1.1/2"	1.1/2-11	1.1/4-11	58	55	50
2350-24-24	38	1.1/2"	1.1/2-11	1.1/2-11	58	55	55
2350-32-32	51	2"	2-11	2-11	62	70	70

4500 **Коннектор, накидная гайка 90°**

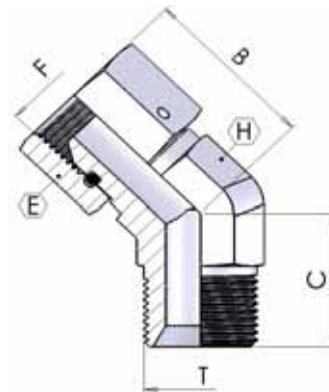
Swivel 90° Elbow



part number	Ø tube		Dimensions					
	mm	inch	F	T	B	C	H	E
4500-04	8	5/16"	1/4-19	1/4-19	31	26	14	19
4500-06	10	3/8"	3/8-19	3/8-19	37	32	19	22
4500-08	12	1/2"	1/2-14	1/2-14	42	36	22	27
4500-12	20	3/4"	3/4-14	3/4-14	48	40	27	32
4500-16	25	1"	1-11	1-11	52	42	33	38
4500-20	32	1.1/4"	1.1/4-11	1.1/4-11	58	52	41	50
4500-24	38	1.1/2"	1.1/2-11	1.1/2-11	61	59	50	55

4510 **Коннектор, накидная гайка 45°**

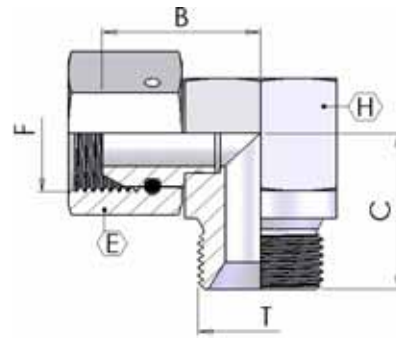
Swivel 45° Elbow



part number	Ø tube		Dimensions					
	mm	inch	F	T	B	C	H	E
4510-04	8	5/16"	1/4-19	1/4-19	26	21	14	19
4510-06	10	3/8"	3/8-19	3/8-19	30	25	19	22
4510-08	12	1/2"	1/2-14	1/2-14	34	28	22	27
4510-12	20	3/4"	3/4-14	3/4-14	41	33	27	32
4510-16	25	1"	1-11	1-11	49	39	33	38
4510-20	32	1.1/4"	1.1/4-11	1.1/4-11			41	50
4510-24	38	1.1/2"	1.1/2-11	1.1/2-11			50	55

3200 **Коннектор, накидная гайка 90° сварной**

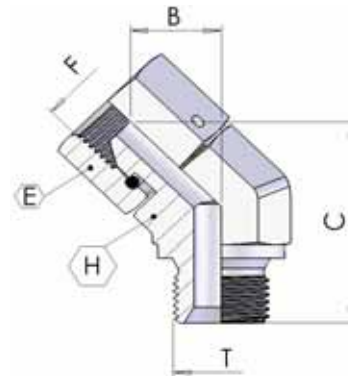
Swivel 90° Elbow (welded)



part number	Ø tube		Dimensions					
	mm	inch	F	T	B	C	H	E
3200-02-02	6	1/4"	1/8-28	1/8-28	17	16	14	14
3200-04-04	8	5/16"	1/4-19	1/4-19	20	23	19	19
3200-06-06	10	3/8"	3/8-19	3/8-19	24	25	22	22
3200-08-08	12	1/2"	1/2-14	1/2-14	28	31	27	27
3200-12-12	20	3/4"	3/4-14	3/4-14	33	35	32	32
3200-16-16	25	1"	1-11	1-11	39	43	41	38

3320 **Адаптер вращающийся 45° (штамповка)**

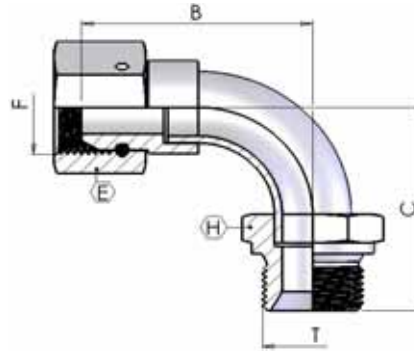
Swivel 45° Elbow (Forged)



part number	Ø tube		Dimensions					
	mm	inch	F	T	B	C	H	E
3320-04-04	8	5/16"	1/4-19	1/4-19	14	33	19	19
3320-06-06	10	3/8"	3/8-19	3/8-19	16	37	22	22
3320-08-08	12	1/2"	1/2-14	1/2-14	20	45	27	27
3320-12-12	20	3/4"	3/4-14	3/4-14	22	53	32	32
3320-16-16	25	1"	1-11	1-11	27	58	41	38

2550 **Коннектор, накидная гайка
90° сварной**

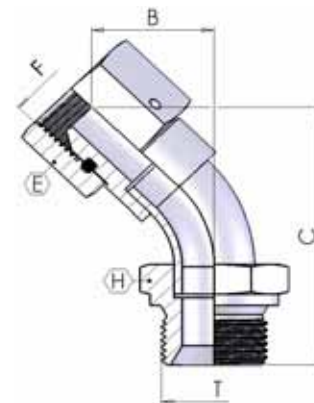
Swivel 90° Elbow (welded)



part number	Ø tube		Dimensions					
	mm	inch	F	T	B	C	H	E
2550-04-04	8	5/16"	1/4-19	1/4-19	30	32	19	19
2550-06-06	10	3/8"	3/8-19	3/8-19	37	38	22	22
2550-08-08	12	1/2"	1/2-14	1/2-14	44	43	27	27
2550-12-12	20	3/4"	3/4-14	3/4-14	59	62	32	32
2550-16-16	25	1"	1-11	1-11	66	68	41	38
2550-20-20	32	1.1/4"	1.1/4-11	1.1/4-11	71	76	50	50
2550-24-24	38	1.1/2"	1.1/2-11	1.1/2-11	89	93	55	55
2550-32-32	51	2"	2-11	2-11	113	123	65	70

2650 **Коннектор, накидная гайка
45° сварной**

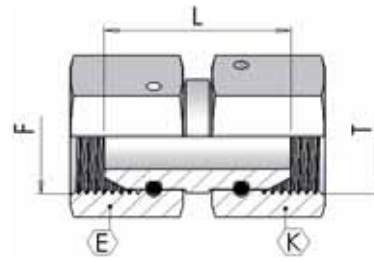
Swivel 45° Elbow (welded)



part number	Ø tube		Dimensions					
	mm	inch	F	T	B	C	H	E
2650-04-04	8	5/16"	1/4-19	1/4-19	17	44	19	19
2650-06-06	10	3/8"	3/8-19	3/8-19	20	52	22	22
2650-08-08	12	1/2"	1/2-14	1/2-14	23	53	27	27
2650-12-12	20	3/4"	3/4-14	3/4-14	29	73	32	32
2650-16-16	25	1"	1-11	1-11	35	85	41	38
2650-20-20	32	1.1/4"	1.1/4-11	1.1/4-11	33	84	50	50
2650-24-24	38	1.1/2"	1.1/2-11	1.1/2-11	41	103	55	55
2650-32-32	51	2"	2-11	2-11	53	134	65	70

2450 **Коннектор, накидная гайка**

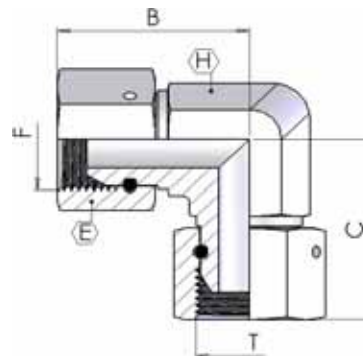
Swivel Connector



part number	Dimensions						
	F	T	L	K	E		
2450-04-04	1/4-19	1/4-19	22	19	19		
2450-06-06	3/8-19	3/8-19	29	22	22		
2450-08-08	1/2-14	1/2-14	32	27	27		
2450-10-10	5/8-14	5/8-14	29	30	30		
2450-12-12	3/4-14	3/4-14	37	32	32		
2450-16-16	1-11	1-11	43	38	38		
2450-20-20	1.1/4-11	1.1/4-11	50	50	50		
2450-24-24	1.1/2-11	1.1/2-11	53	55	55		
2450-32-32	2-11	2-11	50	70	70		

4550 **Коннектор, накидная гайка 90°**

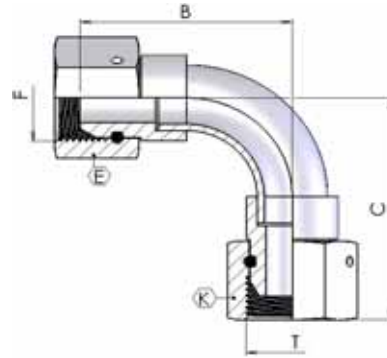
Swivel 90° Elbow



part number	Dimensions						
	F	T	B	C	H	E	
4550-04	1/4-19	1/4-19	31	31	14	19	
4550-06	3/8-19	3/8-19	37	37	19	22	
4550-08	1/2-14	1/2-14	40	36	22	27	
4550-12	3/4-14	3/4-14	48	48	27	32	
4550-16	1-11	1-11	52	52	33	38	
4550-20	1.1/4-11	1.1/4-11	58	58	41	50	
4550-24	1.1/2-11	1.1/2-11	61	61	50	55	

2750 **Коннектор, накидная гайка 90° сварной**

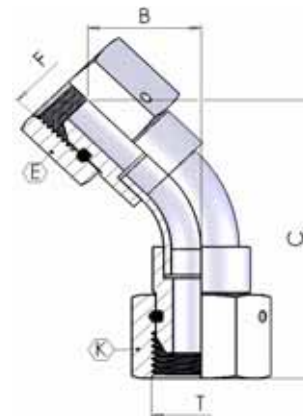
Swivel 90° Elbow (welded)



part number	Dimensions					
	F	T	B	C	K	E
2750-04-04	1/4-19	1/4-19	30	35	19	19
2750-06-06	3/8-19	3/8-19	37	43	22	22
2750-08-08	1/2-14	1/2-14	44	19	27	27
2750-12-12	3/4-14	3/4-14	59	67	32	32
2750-16-16	1-11	1-11	66	76	38	38
2750-20-20	1.1/4-11	1.1/4-11	71	50	50	50
2750-24-24	1.1/2-11	1.1/2-11	89	98	55	55
2750-32-32	2-11	2-11	113	127	70	70

2850 **Коннектор, накидная гайка 45° сварной**

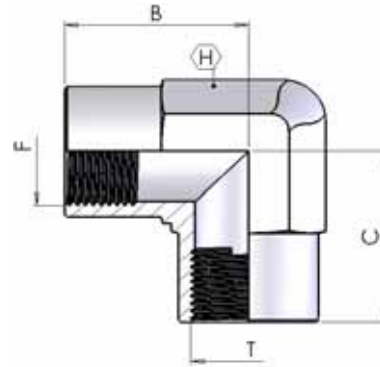
Swivel 45° Elbow (welded)



part number	Dimensions					
	F	T	B	C	K	E
2850-04-04	1/4-19	1/4-19	17	47	19	19
2850-06-06	3/8-19	3/8-19	20	57	22	22
2850-08-08	1/2-14	1/2-14	23	59	27	27
2850-12-12	3/4-14	3/4-14	29	79	32	32
2850-16-16	1-11	1-11	35	93	38	38
2850-20-20	1.1/4-11	1.1/4-11	33	87	50	50
2850-24-24	1.1/2-11	1.1/2-11	41	108	55	55
2850-32-32	2-11	2-11	53	139	70	70

4570 **Коннектор 90° ы**

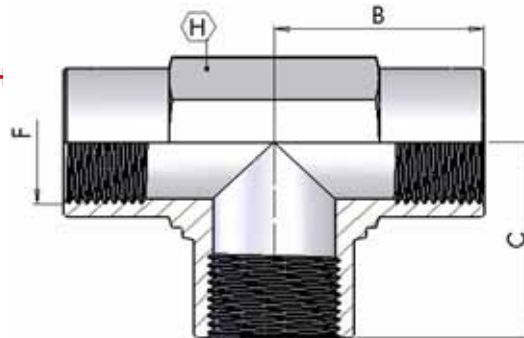
90° Elbow Union



part number	Dimensions				
	F	T	B	C	H
4570-04	1/4-19	1/4-19	27	27	19
4570-06	3/8-19	3/8-19	34	34	22
4570-08	1/2-14	1/2-14	36	36	27
4570-12	3/4-14	3/4-14	46	46	32
4570-16	1-11	1-11	50	50	41

4820 **Коннектор Т-образный наруж**

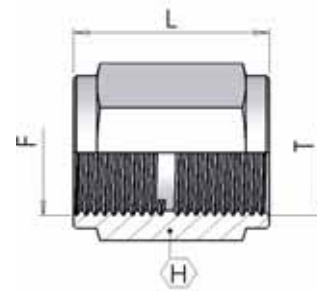
Union Tee



part number	Dimensions			
	F	B	C	H
4820-04	1/4-19	27	27	19
4820-06	3/8-19	32	32	22
4820-08	1/2-14	36	36	27
4820-12	3/4-14	43	43	32
4820-16	1-11	52	52	41

A105 Коннектор наружные резьбы

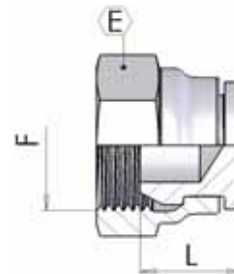
Union



part number	Dimensions			
	F	T	L	H
A105-02-02	1/8-28	1/8-28	21	14
A105-02-06	1/8-28	3/8-19	29	22
A105-04-04	1/4-19	1/4-19	29	19
A105-04-06	1/4-19	3/8-19	31	22
A105-06-06	3/8-19	3/8-19	29	22
A105-08-08	1/2-14	1/2-14	34	27
A105-12-12	3/4-14	3/4-14	38	32
A105-16-16	1-11	1-11	43	41
A105-20-20	1.1/4-11	1.1/4-11	47	50
A105-24-24	1.1/2-11	1.1/2-11	51	55
A105-32-32	2-11	2-11	57	70

A608 Заглушка накидная гайка

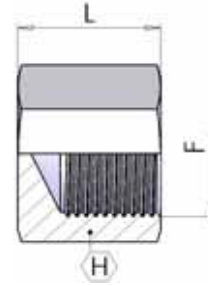
Female Plug Swivel



part number	Dimensions		
	F	L	E
A608-02	1/8-28	11	14
A608-04	1/4-19	14	19
A608-06	3/8-19	15	22
A608-08	1/2-14	16	27
A608-10	5/8-14	16	30
A608-12	3/4-14	18	32
A608-16	1-11	20	38
A608-20	1.1/4-11	24	50
A608-24	1.1/2-11	27	55
A608-32	2-11	24	70

A604 Заглушка, накидная гайка

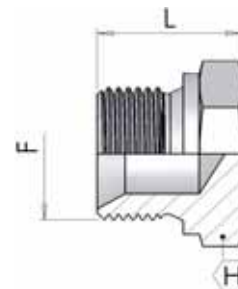
Female Plug



part number	Dimensions		
	F	L	H
A604-02	1/8-28	16	14
A604-04	1/4-19	19	19
A604-06	3/8-19	21	22
A604-08	1/2-14	23	27
A604-10	5/8-14	25	30
A604-12	3/4-14	28	32
A604-16	1-11	31	41
A604-20	1.1/4-11	36	50
A604-24	1.1/2-11	41	55
A604-32	2-11	46	70

A605 Заглушка наружная резьба

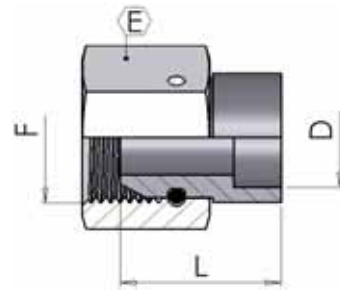
Male plug



part number	Dimensions		
	F	L	H
A605-02	1/8-28	15	14
A605-04	1/4-19	19	19
A605-06	3/8-19	22	22
A605-08	1/2-14	25	27
A605-10	5/8-14	27	30
A605-12	3/4-14	27	32
A605-16	1-11	30	41
A605-20	1.1/4-11	34	50
A605-24	1.1/2-11	39	55
A605-32	2-11	43	70

A051 **Адаптер приварной, накидная гайка**

Swivel Female Weldable End



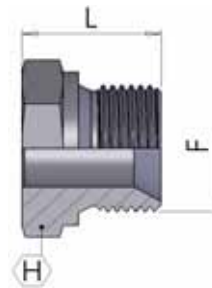
гальваническое покрытие:
surface treatment:

без оцинковки
without zinc plating

part number	Dimensions			
	F	L	D	E
A051-02	1/8-28	16	6	14
A051-04	1/4-19	18	8	19
A051-06	3/8-19	21	12	22
A051-08	1/2-14	24	14	27
A051-10	5/8-14	23	18	30
A051-12	3/4-14	29	20	32
A051-16	1-11	28	25	38
A051-20	1.1/4-11	30	32	50
A051-24	1.1/2-11	31	38	55
A051-32	2-11	33	50	70

1850 **Адаптер приварной, наружная**

Male Weldable End



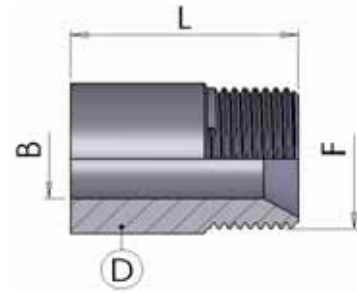
гальваническое покрытие:
surface treatment:

без оцинковки
without zinc plating

part number	Dimensions		
	F	L	H
1850-02	1/8-28	15	14
1850-04	1/4-19	20	19
1850-06	3/8-19	22	22
1850-08	1/2-14	25	27
1850-10	5/8-14	27	30
1850-12	3/4-14	27	32
1850-16	1-11	30	41
1850-20	1.1/4-11	34	50
1850-24	1.1/2-11	35	55
1850-32	2-11	43	70

220C **Адаптер приварной, наружная**

Male Weldable End

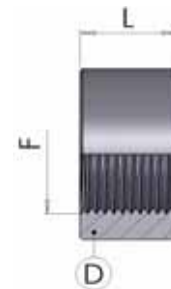


гальваническое покрытие: без оцинковки
 surface treatment: without zinc plating

part number	Dimensions			
	F	L	B	D
220C-04	1/4-19	30	7	14
220C-06	3/8-19	32	9	17
220C-08	1/2-14	34	12	21
220C-12	3/4-14	40	15	28
220C-16	1-11	41	20	35

2200 **Коннектор приварной, внутри**

Threaded Sleeve

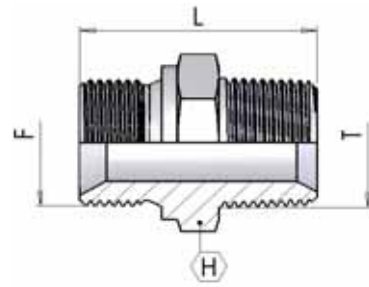


гальваническое покрытие: без оцинковки
 surface treatment: without zinc plating

part number	Dimensions		
	F	L	D
2200-02	1/8-28	14	20
2200-04	1/4-19	16	22
2200-06	3/8-19	17	26
2200-08	1/2-14	18	30
2200-10	5/8-14	20	32
2200-12	3/4-14	20	38
2200-16	1-11	25	45
2200-20	1.1/4-11	25	55
2200-24	1.1/2-11	30	62
2200-32	2-11	30	70

1865 Адаптер, наружные резьбы В

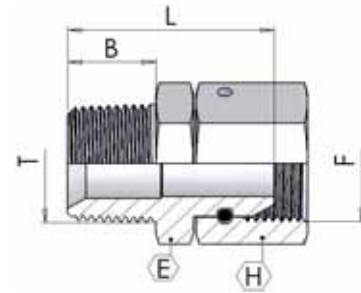
Male Connector BSP/BSPT



part number	Ø tube		Dimensions			
	mm	inch	F	T	L	H
1865-02-02	6	1/4"	1/8-28	1/8-28	24	14
1865-04-04	8	5/16"	1/4-19	1/4-19	34	19
1865-06-06	10	3/8"	3/8-19	3/8-19	36	22
1865-08-08	12	1/2"	1/2-14	1/2-14	43	27
1865-08-12	12	1/2"	1/2-14	3/4-14	46	27
1865-12-12	20	3/4"	3/4-14	3/4-14	46	32
1865-12-20	20	3/4"	3/4-14	1.1/4-11	55	46
1865-16-16	25	1"	1-11	1-11	54	41
1865-20-20	32	1.1/4"	1.1/4-11	1.1/4-11	59	50
1865-24-24	38	1.1/2"	1.1/2-11	1.1/2-11	60	55
1865-32-32	51	2"	2-11	2-11	69	70

2360 **Адаптер, вращающийся BSP/BSPT наружн**

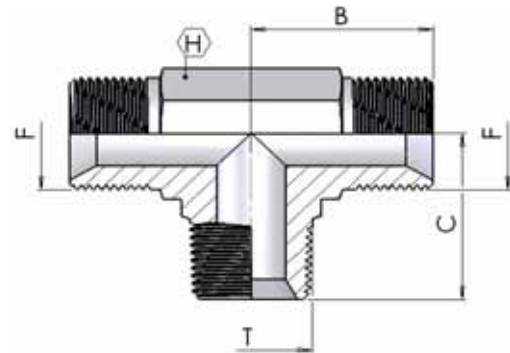
Swivel Connector Female BSP/ Male BSPT



part number	Ø tube		Dimensions					
	mm	inch	F	T	L	B	E	H
2360-02-02	6	1/4"	1/8"	1/8"	29	10	11	14
2360-04-02	6	1/4"	1/8"	1/4"	33	15	14	14
2360-04-04	8	5/16"	1/4"	1/4"	33	15	14	19
2360-04-06	10	3/8"	3/8"	1/4"	36	15	16	22
2360-06-04	8	5/16"	1/4"	3/8"	34	15	19	19
2360-06-06	10	3/8"	3/8"	3/8"	36	15	19	22
2360-06-08	12	1/2"	1/2"	3/8"	40	15	22	27
2360-08-06	10	3/8"	3/8"	1/2"	42	19	22	22
2360-08-08	12	1/2"	1/2"	1/2"	41	18	22	27
2360-08-12	20	3/4"	3/4"	1/2"	47	19	27	32
2360-12-08	12	1/2"	1/2"	3/4"	47	19	27	27
2360-12-12	20	3/4"	3/4"	3/4"	47	19	27	32
2360-12-16	25	1"	1"	3/4"	55	19	32	41
2360-16-12	20	3/4"	3/4"	1"	54	24	36	32
2360-16-16	25	1"	1"	1"	60	24	36	41
2360-16-20	32	1.1/4"	1.1/4"	1"	62	24	41	50
2360-20-20	32	1.1/4"	1.1/4"	1.1/4"	62	25	46	50
2360-20-24	38	1.1/2"	1.1/2"	1.1/4"	66	25	46	60
2360-24-24	38	1.1/2"	1.1/2"	1.1/2"	67	26	50	60

4860 **T-образный адаптер, наружна**

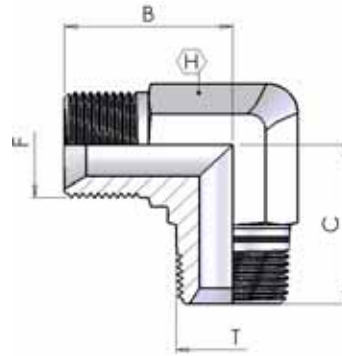
BSPT Branch Tee



part number	Ø tube		Dimensions				
	mm	inch	F	T	B	C	H
4860-04	8	5/16"	1/4-19	1/4-19	27	27	14
4860-06	10	3/8"	3/8-19	3/8-19	28	28	19
4860-08	12	1/2"	1/2-14	1/2-14	34	34	22
4860-12	20	3/4"	3/4-14	3/4-14	40	40	27
4860-16	25	1"	1-11	1-11	42	42	33
4860-20	32	1.1/4"	1.1/4-11	1.1/4-11	52	52	41

4620 **Адаптр 90° BSP x BSPT**

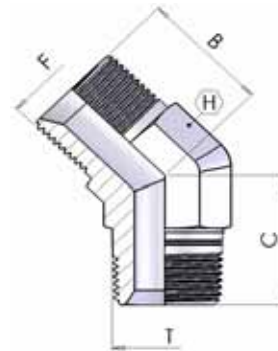
90° connector BSP male x BSPT male



part number	Ø tube		Dimensions					
	mm	inch	F	T	B	C	H	
4620-02	6	1/4"	1/8-28	1/8-28	26	26	14	
4620-04	8	5/16"	1/4-19	1/4-19	26	26	14	
4620-06	10	3/8"	3/8-19	3/8-19	32	32	19	
4620-08	12	1/2"	1/2-14	1/2-14	36	36	22	
4620-12	20	3/4"	3/4-14	3/4-14	40	40	27	
4620-16	25	1"	1-11	1-11	42	42	33	
4620-20	32	1.1/4"	1.1/4-11	1.1/4-11	52	52	41	
4620-24	38	1.1/2"	1.1/2-11	1.1/2-11	59	59	50	

4630 **Адаптр 45° BSP x BSPT**

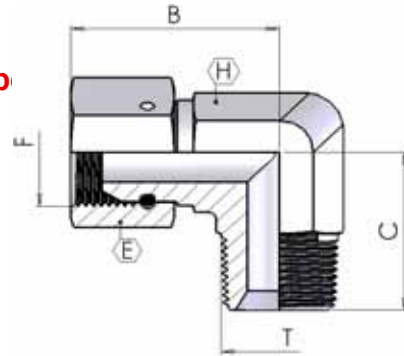
45° connector BSP male x BSPT male



part number	Ø tube		Dimensions					
	mm	inch	F	T	B	C	H	
4630-04	8	5/16"	1/4-19	1/4-19	21	21	14	
4630-06	10	3/8"	3/8-19	3/8-19	25	25	19	
4630-08	12	1/2"	1/2-14	1/2-14	28	28	22	
4630-12	20	3/4"	3/4-14	3/4-14	33	33	27	
4630-16	25	1"	1-11	1-11	41	41	33	
4630-20	32	1.1/4"	1.1/4-11	1.1/4-11			41	
4630-24	38	1.1/2"	1.1/2-11	1.1/2-11			50	

4600 Адаптр 90° BSP гайка x BSPT наружная р

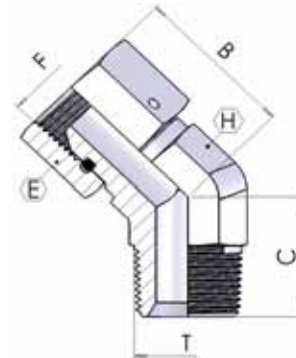
90° connector BSP swivel female x BSPT male



part number	Ø tube		Dimensions					
	mm	inch	F	T	B	C	H	E
4600-04	8	5/16"	1/4-19	1/4-19	29	27	14	19
4600-06	10	3/8"	3/8-19	3/8-19	34	32	19	22
4600-08	12	1/2"	1/2-14	1/2-14	42	36	22	27
4600-12	20	3/4"	3/4-14	3/4-14	48	40	27	32
4600-16	25	1"	1-11	1-11	58	48	33	38
4600-20	32	1.1/4"	1.1/4-11	1.1/4-11	58	52	41	50
4600-24	38	1.1/2"	1.1/2-11	1.1/2-11	61	59	50	55

4610 Адаптр 45° BSP гайка x BSPT наружная р

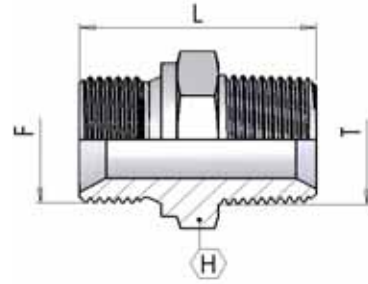
45° connector BSP swivel female x BSPT male



part number	Ø tube		Dimensions					
	mm	inch	F	T	B	C	H	E
4610-04	8	5/16"	1/4-19	1/4-19	22	21	14	19
4610-06	10	3/8"	3/8-19	3/8-19	27	25	19	22
4610-08	12	1/2"	1/2-14	1/2-14	31	28	22	27
4610-12	20	3/4"	3/4-14	3/4-14	37	31	27	32
4610-16	25	1"	1-11	1-11	40	37	33	38
4610-20	32	1.1/4"	1.1/4-11	1.1/4-11			41	50
4610-24	38	1.1/2"	1.1/2-11	1.1/2-11			50	55

1875 Адаптер BSP/NPTF

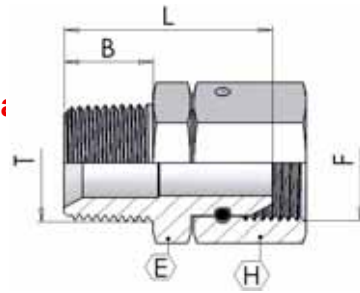
Male Connector BSP/NPTF



part number	Ø tube		Dimensions				
	mm	inch	F	T	L	H	
1875-04-04	8	5/16"	1/4-19	1/4-18	35	19	
1875-04-06	8	5/16"	1/4-19	3/8-18	35	19	
1875-04-08	8	5/16"	1/4-19	1/2-14	41	22	
1875-06-04	10	3/8"	3/8-19	1/4-18	36	22	
1875-06-06	10	3/8"	3/8-19	3/8-18	36	22	
1875-06-08	10	3/8"	3/8-19	1/2-14	41	22	
1875-08-06	12	1/2"	1/2-14	3/8-18	39	27	
1875-08-08	12	1/2"	1/2-14	1/2-14	44	27	
1875-08-12	12	1/2"	1/2-14	3/4-14	46	27	
1875-12-08	20	3/4"	3/4-14	1/2-14	46	32	
1875-12-12	20	3/4"	3/4-14	3/4-14	48	32	
1875-12-16	20	3/4"	3/4-14	1-11.1/2	53	36	
1875-16-12	25	1"	1-11	3/4-14	49	41	
1875-16-16	25	1"	1-11	1-11.1/2	55	41	
1875-20-20	32	1.1/4"	1-1/4-11	1.1/4-11.1/2	59	50	
1875-20-24	32	1.1/4"	1-1/4-11	1.1/2-11.1/2	61	50	
1875-24-24	38	1.1/2"	1.1/2-11	1.1/2-11.1/2	63	55	
1875-32-32	51	2"	2-11	2-11.1/2	69	70	

2365 Адаптер BSP гайка/ NPTF наружная резьба:

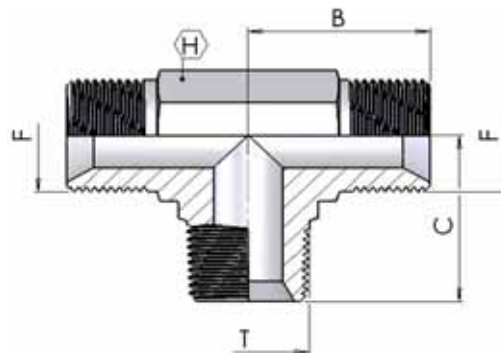
Swivel Connector Female BSP/ Male NPTF



part number	Ø tube		Dimensions					
	mm	inch	F	T	L	B	E	H
2365-02-02	6	1/4"	1/8-28	1/8-28	29	10	11	14
2365-04-02	6	1/4"	1/8-28	1/4-18	33	15	14	14
2365-04-04	8	5/16"	1/4-19	1/4-18	33	15	14	19
2365-04-06	10	3/8"	3/8-19	1/4-18	36	15	16	22
2365-06-04	8	5/16"	1/4-19	3/8-18	34	15	19	19
2365-06-06	10	3/8"	3/8-19	3/8-18	36	15	19	22
2365-06-08	12	1/2"	1/2-14	3/8-18	40	15	22	27
2365-08-06	10	3/8"	3/8-19	1/2-14	42	19	22	22
2365-08-08	12	1/2"	1/2-14	1/2-14	45	19	22	27
2365-08-12	20	3/4"	3/4-14	1/2-14	47	19	27	32
2365-12-08	12	1/2"	1/2-14	3/4-14	47	19	27	27
2365-12-12	20	3/4"	3/4-14	3/4-14	47	19	27	32
2365-12-16	25	1"	1-11	3/4-14	55	19	32	41
2365-16-12	20	3/4"	3/4-14	1-11.1/2	54	24	36	32
2365-16-16	25	1"	1-11	1-11.1/2	60	24	36	41
2365-16-20	32	1.1/4"	1.1/4-11	1-11.1/2	62	24	41	50
2365-20-20	32	1.1/4"	1.1/4-11	1.1/4-11.1/2	62	25	46	50
2365-20-24	38	1.1/2"	1.1/2-11	1.1/4-11.1/2	66	25	46	60
2365-24-24	38	1.1/2"	1.1/2-11	1.1/2-11.1/2	67	26	50	60

4870 Тройник NPTF X JIS наружные

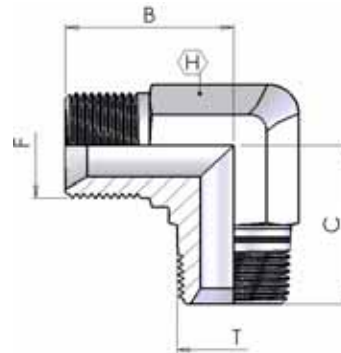
NPTF male branch Tee



part number	Ø tube		Dimensions				
	mm	inch	F	T	B	C	H
4870-04	8	5/16"	1/4-19	1/4-18	27	27	14
4870-06	10	3/8"	3/8-19	3/8-18	32	32	19
4870-08	12	1/2"	1/2-14	1/2-14	36	37	22
4870-12	20	3/4"	3/4-14	3/4-14	40	40	27
4870-16	25	1"	1-11	1-11.1/2	50	50	33
4870-20	32	1.1/4"	1.1/4-11	1.1/4-11.1/2	52	52	41

4670 Адаптер 90° BSP/ NPTF наружн

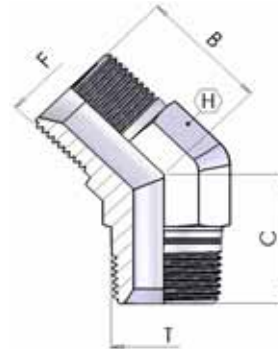
90° connector BSP male x NPTF male



part number	Ø tube		Dimensions					
	mm	inch	F	T	B	C	H	
4670-04	8	5/16"	1/4-19	1/4-18	26	26	14	
4670-06	10	3/8"	3/8-19	3/8-18	32	32	19	
4670-08	12	1/2"	1/2-14	1/2-14	36	36	22	
4670-12	20	3/4"	3/4-14	3/4-14	40	40	27	
4670-16	25	1"	1-11	1-11.1/2	42	42	33	
4670-20	32	1.1/4"	1.1/4-11	1.1/4-11.1/2	52	52	41	
4670-24	38	1.1/2"	1.1/2-11	1.1/2-11.1/2	59	59	50	

4680 Адаптер 45° BSP/ NPTF наружн

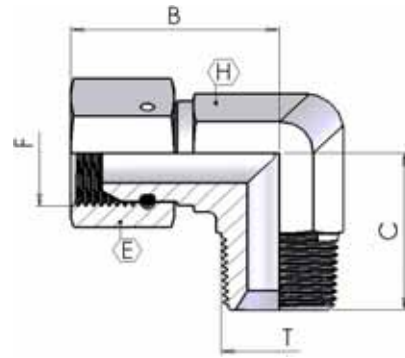
45° connector BSP male x NPTF male



part number	Ø tube		Dimensions					
	mm	inch	F	T	B	C	H	
4680-04	8	5/16"	1/4-19	1/4-18	21	21	14	
4680-06	10	3/8"	3/8-19	3/8-18	25	25	19	
4680-08	12	1/2"	1/2-14	1/2-14	30	28	22	
4680-12	20	3/4"	3/4-14	3/4-14	33	33	27	
4680-16	25	1"	1-11	1-11.1/2	41	41	33	
4680-20	32	1.1/4"	1.1/4-11	1.1/4-11.1/2	46	46	41	
4680-24	38	1.1/2"	1.1/2-11	1.1/2-11.1/2			50	

4650 Адаптер 90° BSP гайка/ NPTF наружна

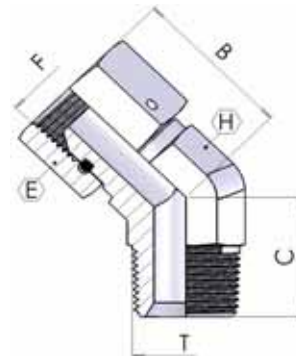
90° connector BSP swivel female x NPTF male



part number	Ø tube		Dimensions					
	mm	inch	F	T	B	C	H	E
4650-04	8	5/16"	1/4-19	1/4-18	29	27	14	19
4650-06	10	3/8"	3/8-19	3/8-18	34	32	19	22
4650-08	12	1/2"	1/2-14	1/2-14	40	36	22	27
4650-12	20	3/4"	3/4-14	3/4-14	46	40	27	32
4650-16	25	1"	1-11	1-11.1/2	52	50	33	38
4650-20	32	1.1/4"	1.1/4-11	1.1/4-11.1/2	54	52	41	50
4650-24	38	1.1/2"	1.1/2-11	1.1/2-11.1/2	61	59	50	55

4660 Адаптер 45° BSP гайка/ NPTF наружная ре:

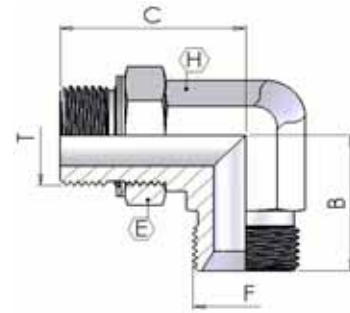
45° connector BSP swivel female x NPTF male



part number	Ø tube		Dimensions					
	mm	inch	F	T	B	C	H	E
4660-04	8	5/16"	1/4-19	1/4-18	21	21	14	19
4660-06	10	3/8"	3/8-19	3/8-18	25	25	19	22
4660-08	12	1/2"	1/2-14	1/2-14	28	29	22	27
4660-12	20	3/4"	3/4-14	3/4-14	33	33	27	32
4660-16	25	1"	1-11	1-11.1/2	37	37	33	38
4660-20	32	1.1/4"	1.1/4-11	1.1/4-11.1/2			41	50
4660-24	38	1.1/2"	1.1/2-11	1.1/2-11.1/2			50	55

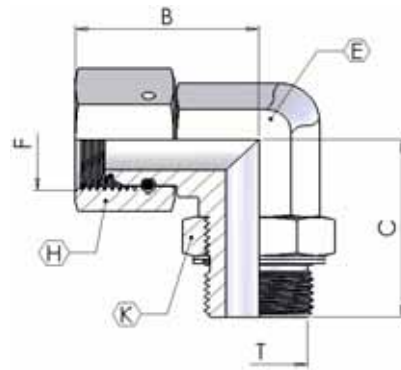
3900 Регулируемый адаптер 90° BSP

Adjustable Elbow BSP/BSP



part number	Ø tube		Dimensions					
	mm	inch	F	T	B	C	H	E
3900-02-02	6	1/4"	1/8	1/8	23	26	12	14
3900-04-02	6	1/4"	1/8	1/4	27	32	14	19
3900-04-04	8	5/16"	1/4	1/4	27	32	14	19
3900-04-06	10	3/8"	3/8	1/4	32	34	19	19
3900-06-02	6	1/4"	1/8	3/8	29	37	19	24
3900-06-04	8	5/16"	1/4	3/8	29	37	19	24
3900-06-06	10	3/8"	3/8	3/8	32	37	19	24
3900-06-08	12	1/2"	1/2	3/8	37	40	22	24
3900-08-04	8	5/16"	1/4	1/2	31	43	22	27
3900-08-06	10	3/8"	3/8	1/2	34	43	22	27
3900-08-08	12	1/2"	1/2	1/2	37	43	22	27
3900-08-12	20	3/4"	3/4	1/2	42	46	27	27
3900-12-06	10	3/8"	3/8	3/4	37	49	27	36
3900-12-08	12	1/2"	1/2	3/4	40	49	27	36
3900-12-12	20	3/4"	3/4	3/4	42	49	27	36
3900-12-16	25	1"	1	3/4	46	52	33	36
3900-16-12	20	3/4"	3/4	1	45	52	33	41
3900-16-16	25	1"	1	1	46	52	33	41
3900-16-20	32	1.1/4"	1.1/4	1	52	57	41	41
3900-20-16	25	1"	1	1.1/4	51	57	41	50
3900-20-20	32	1.1/4"	1.1/4	1.1/4	52	57	41	50
3900-24-24	38	1.1/2"	1.1/2	1.1/2	59	61	48	60

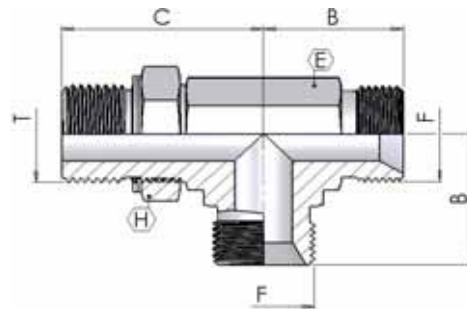
3255
**Регулируемый адаптер 90° гайка
BSP/BSP наружная резьба**

 Adjustable 90° Elbow Swivel Female BSP/BSPP
Male


part number	Ø tube		Dimensions						
	mm	inch	F	T	B	C	E	H	K
3255-02-02	6	1/4"	1/8"	1/8"	25	26	12	14	14
3255-04-04	8	5/16"	1/4"	1/4"	27	32	14	19	19
3255-06-06	10	3/8"	3/8"	3/8"	32	37	19	22	24
3255-08-08	12	1/2"	1/2"	1/2"	37	43	22	27	27
3255-12-12	20	3/4"	3/4"	3/4"	42	49	27	32	36
3255-16-16	25	1"	1"	1"	46	52	33	41	41
3255-20-20	32	1.1/4"	1.1/4"	1.1/4"	52	57	41	50	50
3255-24-24	38	1.1/2"	1.1/2"	1.1/2"	59	61	48	60	60

3600
**Регулируемый тройник
BSP, боковое подключение**

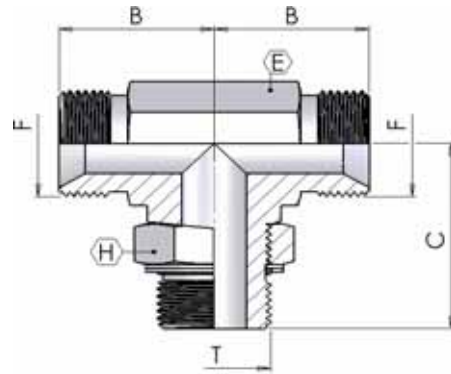
Adjustable Run Tee BSP/BSPP Male



part number	Ø tube		Dimensions					
	mm	inch	F	T	B	C	E	H
3600-02-02	6	1/4"	1/8-28	1/8-28	23	26	12	14
3600-04-02	6	1/4"	1/8-28	1/4-19	27	32	14	19
3600-04-04	8	5/16"	1/4-19	1/4-19	27	32	14	19
3600-04-06	10	3/8"	3/8-19	1/4-19	32	34	19	19
3600-06-04	8	5/16"	1/4-19	3/8-19	29	37	19	24
3600-06-06	10	3/8"	3/8-19	3/8-19	32	37	19	24
3600-06-08	12	1/2"	1/2-14	3/8-19	37	49	27	36
3600-08-06	10	3/8"	3/8-19	1/2-14	34	43	22	27
3600-08-08	12	1/2"	1/2-14	1/2-14	37	40	22	24
3600-08-12	12	3/4"	1/2-14	1/2-14	40	49	27	36
3600-12-08	12	1/2"	1/2-14	3/4-11	37	43	22	27
3600-12-12	20	3/4"	3/4-11	3/4-11	42	46	27	27
3600-12-16	25	1"	1-11	3/4-11	45	52	33	41
3600-16-12	20	3/4"	3/4-11	1-11	42	49	27	36
3600-16-16	25	1"	1-11	1-11	46	52	33	36
3600-16-20	32	1.1/4"	1.1/4-11	1-11	46	52	33	41
3600-20-20	32	1.1/4"	1.1/4-11	1.1/4-11	51	57	41	50
3600-20-24	38	1.1/2"	1.1/2-11	1.1/4-11	52	57	41	50
3600-24-20	32	1.1/4"	1.1/4-11	1.1/2-11	52	57	41	41
3600-24-24	38	1.1/2"	1.1/2-11	1.1/2-11	59	61	48	60

3605 Регулируемый тройник BSP, нижнее подключение

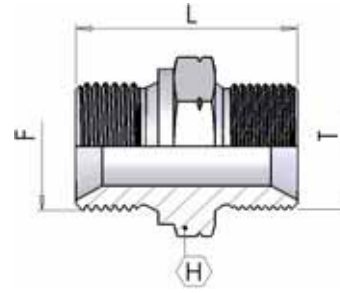
Adjustable Branch Tee BSP/BSPP Male



part number	Ø tube		Dimensions					
	mm	inch	F	T	B	C	E	H
3605-02-02	6	1/4"	1/8-28	1/8-28	23	26	12	14
3605-04-02	6	1/4"	1/8-28	1/4-19	27	32	14	19
3605-04-04	8	5/16"	1/4-19	1/4-19	27	32	14	19
3605-04-06	10	3/8"	3/8-19	1/4-19	32	34	19	19
3605-06-04	8	5/16"	1/4-19	3/8-19	29	37	19	24
3605-06-06	10	3/8"	3/8-19	3/8-19	32	37	19	24
3605-06-08	12	1/2"	1/2-14	3/8-19	37	49	27	36
3605-08-06	10	3/8"	3/8-19	1/2-14	34	43	22	27
3605-08-08	12	1/2"	1/2-14	1/2-14	37	40	22	24
3605-08-12	12	3/4"	3/4-11	1/2-14	40	49	27	36
3605-12-08	12	1/2"	1/2-14	3/4-11	37	43	22	27
3605-12-12	20	3/4"	3/4-11	3/4-11	42	46	27	27
3605-12-16	25	1"	1-11	3/4-11	45	52	33	41
3605-16-12	20	3/4"	3/4-11	1-11	42	49	27	36
3605-16-16	25	1"	1-11	1-11	46	52	33	36
3605-16-20	32	1.1/4"	1.1/4-11	1-11	46	52	33	41
3605-20-20	32	1.1/4"	1.1/4-11	1.1/4-11	51	57	41	50
3605-20-24	38	1.1/2"	1.1/2-11	1.1/4-11	52	57	41	50
3605-24-20	32	1.1/4"	1.1/4-11	1.1/2-11	52	57	41	41
3605-24-24	38	1.1/2"	1.1/2-11	1.1/2-11	59	61	48	60

1805 Коннектор наружные резьбы BSP/60°

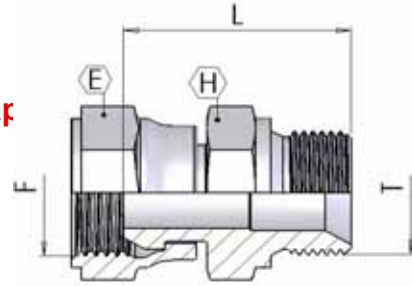
Male connector BSP male /Metric 60° cone



part number	Ø tube		Dimensions				
	mm	inch	T	F	L	H	
1805-02-10	6	1/4"	1/8-28	M10 x 1	28	14	
1805-04-10	8	5/16"	1/4-19	M10 x 1	28	19	
1805-04-12	8	5/16"	1/4-19	M12 x 1.5	33	19	
1805-04-14	8	5/16"	1/4-19	M14 x 1.5	32	19	
1805-04-16	8	5/16"	1/4-19	M16 x 1.5	33	22	
1805-04-18	8	5/16"	1/4-19	M18 x 1.5	34	24	
1805-04-22	8	5/16"	1/4-19	M22 x 1.5	36	27	
1805-06-14	10	3/8"	3/8-19	M14 x 1.5	32	22	
1805-06-16	10	3/8"	3/8-19	M16 x 1.5	33	22	
1805-06-18	10	3/8"	3/8-19	M18 x 1.5	36	24	
1805-06-20	10	3/8"	3/8-19	M20 x 1.5	37	27	
1805-06-22	10	3/8"	3/8-19	M22 x 1.5	37	27	
1805-08-14	12	1/2"	1/2-14	M14 x 1.5	37	27	
1805-08-16	12	1/2"	1/2-14	M16 x 1.5	37	27	
1805-08-18	12	1/2"	1/2-14	M18 x 1.5	38	27	
1805-08-20	12	1/2"	1/2-14	M20 x 1.5	39	27	
1805-08-22	12	1/2"	1/2-14	M22 x 1.5	38	27	
1805-10-18	16	5/8"	5/8-14	M18 x 1.5	39	28	
1805-10-22	16	5/8"	5/8-14	M22 x 1.5	41	28	
1805-12-18	20	3/4"	3/4-14	M18 x 1.5	39	32	
1805-12-22	20	3/4"	3/4-14	M22 x 1.5	41	32	
1805-12-26	20	3/4"	3/4-14	M26 x 1.5	43	32	
1805-12-30	20	3/4"	3/4-14	M30 x 1.5	46	36	
1805-16-22	25	1"	1-11	M22 x 1.5	44	41	
1805-16-26	25	1"	1-11	M26 x 1.5	46	41	
1805-16-38	25	1"	1-11	M38 x 1.5	48	46	

2370 Коннектор гайка метрическая 60°/ BSP нар

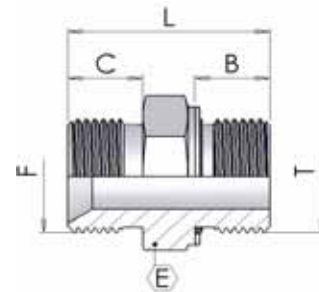
Swivel Nut Female Metric 60° cone/BSP



part number	Ø tube		Dimensions				
	mm	inch	F	T	L	E	H
2370-16-06	10	3/8"	M16x1,5	3/8-19	35	22	22
2370-16-08	12	1/2"	M16x1,5	1/2-14	38	22	27
2370-18-06	10	3/8"	M18x1,5	3/8-19	35	24	22
2370-18-08	12	1/2"	M18x1,5	1/2-14	38	24	27
2370-20-08	12	1/2"	M20x1,5	1/2-14	40	27	27

3510 Коннектор наружные резьбы BSP/ мет

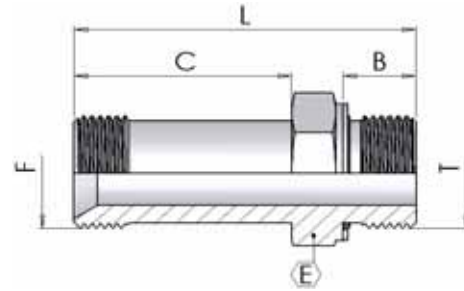
Male Connector BSP/Metric DIN 3852-1



part number	Ø tube		Dimensions					
	mm	inch	F	T	L	B	C	E
3510-10-02	6	1/4"	1/8-28	M10x1	24	9	8	16
3510-12-02	6	1/4"	1/8-28	M12x1,5	27	12	8	17
3510-14-04	8	5/16"	1/4-19	M14x1,5	31	11,5	11	19
3510-16-04	8	5/16"	1/4-19	M16x1,5	32	13	11	22
3510-16-06	10	3/8"	3/8-19	M16x1,5	33	12,5	12	22
3510-18-06	10	3/8"	3/8-19	M18x1,5	35	14	12	24
3510-18-08	12	1/2"	1/2-14	M18x1,5	37	13,5	14	24
3510-22-08	12	1/2"	1/2-14	M22x1,5	39	15	14	30
3510-22-12	20	3/4"	3/4-11	M22x1,5	42	15	16	30
3510-27-12	20	3/4"	3/4-11	M27x2	47	19	16	36
3510-27-16	25	1"	1-11	M27x2	50	18,5	19	36
3510-33-16	25	1"	1-11	M33x2	50	19	19	41
3510-42-20	32	1.1/4"	1.1/4-11	M42x2	54	19,5	20	50
3510-48-24	38	1.1/2"	1.1/2-11	M48x2	60	22	22	60

3515 **Коннектор удлиненный наружные резьбы BSP/ метрика DIN 3852-2**

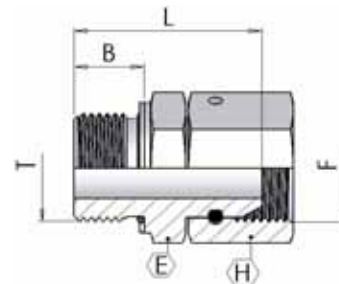
Long Male Connector BSP/Metric DIN 3852-1



part number	Ø tube		Dimensions					
	mm	inch	F	T	L	B	C	E
3515-10-02	6	1/4"	1/8-28	M10x1	45	9	29	16
3515-12-02	6	1/4"	1/8-28	M12x1,5	48	12	29	17
3515-14-04	8	5/16"	1/4-19	M14x1,5	56	12	36	19
3515-16-04	8	5/16"	1/4-19	M16x1,5	57	13	36	22
3515-16-06	10	3/8"	3/8-19	M16x1,5	64	13	43	22
3515-18-06	10	3/8"	3/8-19	M18x1,5	66	14	43	24
3515-18-08	12	1/2"	1/2-14	M18x1,5	70	14	48	24
3515-22-08	12	1/2"	1/2-14	M22x1,5	73	15	48	30
3515-22-12	20	3/4"	3/4-11	M22x1,5	83	15	57	30
3515-27-12	20	3/4"	3/4-11	M27x2	88	19	57	36
3515-27-16	25	1"	1-11	M27x2	99	19	68	36
3515-33-16	25	1"	1-11	M33x2	99	19	68	41
3515-42-20	32	1.1/4"	1.1/4-11	M42x2	117	20	84	50
3515-48-24	38	1.1/2"	1.1/2-11	M48x2	130	22	93	60

3560 **Коннектор гайка BSP/ метрика наружная резьба DIN 3852-1**

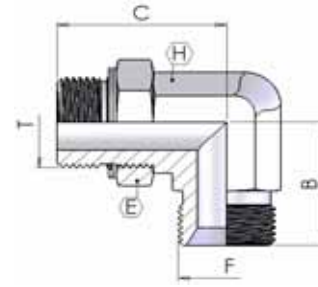
Swivel Nut Female BSP/Metric DIN 3852-1



part number	Ø tube		Dimensions					
	mm	inch	F	T	L	B	E	H
3560-10-02	6	1/4"	1/8"	M10x1	28	9	16	14
3560-12-02	6	1/4"	1/8"	M12x1,5	30	12	17	14
3560-14-04	8	5/16"	1/4"	M14x1,5	30	12	19	19
3560-16-04	8	5/16"	1/4"	M16x1,5	32	13	22	19
3560-16-06	10	3/8"	3/8"	M16x1,5	34	13	22	22
3560-18-06	10	3/8"	3/8"	M18x1,5	35	14	24	22
3560-18-08	12	1/2"	1/2"	M18x1,5	39	14	24	27
3560-22-08	12	1/2"	1/2"	M22x1,5	41	15	30	27
3560-22-12	20	3/4"	3/4"	M22x1,5	43	15	30	32
3560-27-12	20	3/4"	3/4"	M27x2	47	19	36	32
3560-27-16	25	1"	1"	M27x2	54	19	36	41
3560-33-16	25	1"	1"	M33x2	54	19	41	41
3560-42-20	32	1.1/4"	1.1/4"	M42x2	57	20	50	50
3560-48-24	38	1.1/2"	1.1/2"	M48x2	63	22	60	60

**3910 Регулируемый адаптер 90°
наружные резьбы, метрика
DIN 3852-1**

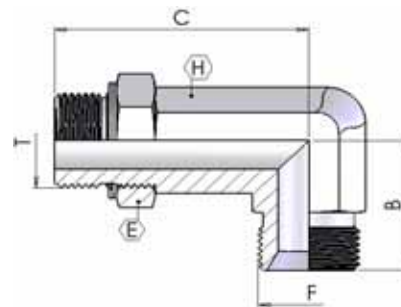
Adjustable Elbow BSP/Metric DIN 3852-1



part number	Ø tube		Dimensions					
	mm	inch	F	T	B	C	H	E
3910-10-02	6	1/4"	1/8"	M10x1	23	27	12	14
3910-12-02	6	1/4"	1/8"	M12x1,5	27	32	14	17
3910-14-04	8	5/16"	1/4"	M14x1,5	27	32	14	19
3910-16-04	8	5/16"	1/4"	M16x1,5	29	38	19	22
3910-16-06	10	3/8"	3/8"	M16x1,5	32	38	19	22
3910-18-06	10	3/8"	3/8"	M18x1,5	32	40	19	24
3910-18-08	12	1/2"	1/2"	M18x1,5	37	41	22	24
3910-22-08	12	1/2"	1/2"	M22x1,5	37	43	22	27
3910-22-12	20	3/4"	3/4"	M22x1,5	42	45	27	27
3910-27-12	20	3/4"	3/4"	M27x2	42	52	27	36
3910-27-16	25	1"	1"	M27x2	46	52	33	36
3910-33-16	25	1"	1"	M33x2	46	53	33	41
3910-42-20	32	1.1/4"	1.1/4"	M42x2	52	58	41	50
3910-48-24	38	1.1/2"	1.1/2"	M48x2	59	67	48	60

**3915 Регулируемый адаптер 90°
наружные резьбы
удлинённый, метрика DIN**

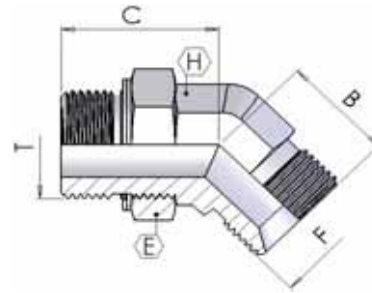
Long Adjustable Elbow BSP/Metric DIN 3852-1



part number	Ø tube		Dimensions					
	mm	inch	F	T	B	C	H	E
3915-10-02	6	1/4"	1/8"	M10x1	23	46	12	14
3915-12-02	6	1/4"	1/8"	M12x1,5	27	54	14	17
3915-14-04	8	5/16"	1/4"	M14x1,5	27	57	14	19
3915-16-04	8	5/16"	1/4"	M16x1,5	29	67	19	22
3915-16-06	10	3/8"	3/8"	M16x1,5	32	67	19	22
3915-18-06	10	3/8"	3/8"	M18x1,5	32	67	19	24
3915-18-08	12	1/2"	1/2"	M18x1,5	37	75	22	24
3915-22-08	12	1/2"	1/2"	M22x1,5	37	78	22	27
3915-22-12	20	3/4"	3/4"	M22x1,5	42	88	27	27
3915-27-12	20	3/4"	3/4"	M27x2	42	95	27	36
3915-27-16	25	1"	1"	M27x2	46	105	33	36
3915-33-16	25	1"	1"	M33x2	46	105	33	41
3915-42-20	32	1.1/4"	1.1/4"	M42x2	52	124	41	50
3915-48-24	38	1.1/2"	1.1/2"	M48x2	59	141	48	60

3410 Регулируемый адаптер 45° наружные резьбы, метрика DIN 3852-1/BSP

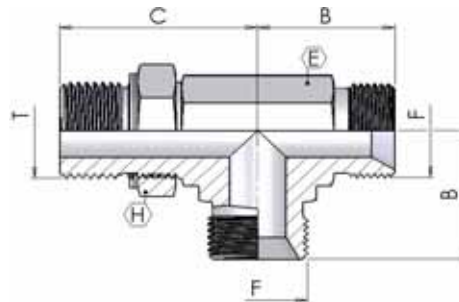
Adjustable 45° Elbow BSP/Metric DIN 3852-1



part number	Ø tube		Dimensions					
	mm	inch	F	T	B	C	H	E
3410-10-02	6	1/4"	1/8"	M10x1	19	27	12	14
3410-12-02	6	1/4"	1/8"	M12x1,5	21	29	14	17
3410-14-04	8	5/16"	1/4"	M14x1,5	21	29	14	19
3410-16-04	8	5/16"	1/4"	M16x1,5	22	33	19	22
3410-16-06	10	3/8"	3/8"	M16x1,5	25	33	19	22
3410-18-06	10	3/8"	3/8"	M18x1,5	25	33	19	24
3410-18-08	12	1/2"	1/2"	M18x1,5	28	35	22	24
3410-22-08	12	1/2"	1/2"	M22x1,5	28	38	22	27
3410-22-12	20	3/4"	3/4"	M22x1,5	33	40	27	27
3410-27-12	20	3/4"	3/4"	M27x2	33	44	27	36
3410-27-16	25	1"	1"	M27x2	37	46	33	36
3410-33-16	25	1"	1"	M33x2	37	47	33	41
3410-42-20	32	1.1/4"	1.1/4"	M42x2	41	49	41	50
3410-48-24	38	1.1/2"	1.1/2"	M48x2	45	53	48	60

3610 Регулируемый тройник наружные резьбы, метрика DIN 3852-1/BSP

Adjustable Run Tee BSP/Metric DIN 3852-1

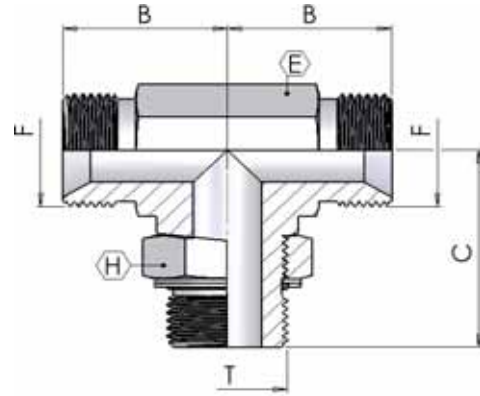


part number	Ø tube		Dimensions					
	mm	inch	F	T	B	C	H	E
3610-10-02	6	1/4"	1/8-28	M10x1	23	27	14	12
3610-12-02	6	1/4"	1/8-28	M12x1,5	27	32	17	14
3610-14-04	8	5/16"	1/4-19	M14x1,5	27	32	19	14
3610-16-04	8	5/16"	1/4-19	M16x1,5	29	38	22	19
3610-16-06	10	3/8"	3/8-19	M16x1,5	32	38	22	19
3610-18-06	10	3/8"	3/8-19	M18x1,5	32	40	24	19
3610-18-08	12	1/2"	1/2-14	M18x1,5	37	41	24	22
3610-22-08	12	1/2"	1/2-14	M22x1,5	37	43	27	22
3610-22-12	20	3/4"	3/4-11	M22x1,5	42	45	27	27
3610-27-12	20	3/4"	3/4-11	M27x2	42	52	36	27
3610-27-16	25	1"	1-11	M27x2	46	52	36	33
3610-33-16	25	1"	1-11	M33x2	46	53	41	33
3610-42-20	32	1.1/4"	1.1/4-11	M42x2	52	58	50	41
3610-48-24	38	1.1/2"	1.1/2-11	M48x2	59	67	60	48

3615

**Регулируемый тройник
наружные резьбы, нижнее
подключение метрика DIN**

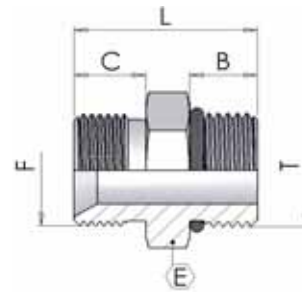
Adjustable Branch Tee BSP/Metric DIN 3852-1



part number	Ø tube		Dimensions					
	mm	inch	F	T	B	C	H	E
3615-10-02	6	1/4"	1/8-28	M10x1	23	27	14	12
3615-12-02	6	1/4"	1/8-28	M12x1,5	27	32	17	14
3615-14-04	8	5/16"	1/4-19	M14x1,5	27	32	19	14
3615-16-04	8	5/16"	1/4-19	M16x1,5	29	38	22	19
3615-16-06	10	3/8"	3/8-19	M16x1,5	32	38	22	19
3615-18-06	10	3/8"	3/8-19	M18x1,5	32	40	24	19
3615-18-08	12	1/2"	1/2-14	M18x1,5	37	41	24	22
3615-22-08	12	1/2"	1/2-14	M22x1,5	37	43	27	22
3615-22-12	20	3/4"	3/4-11	M22x1,5	42	45	27	27
3615-27-12	20	3/4"	3/4-11	M27x2	42	52	36	27
3615-27-16	25	1"	1-11	M27x2	46	52	36	33
3615-33-16	25	1"	1-11	M33x2	46	53	41	33
3615-42-20	32	1.1/4"	1.1/4-11	M42x2	52	58	50	41
3615-48-24	38	1.1/2"	1.1/2-11	M48x2	59	67	60	48

3520 **Коннектор наружные резьбы I**

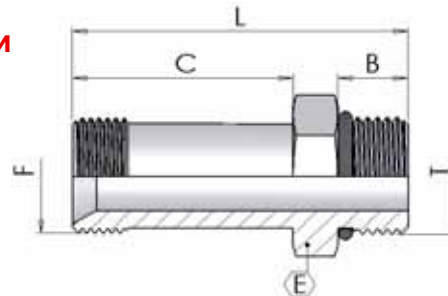
Male Connector BSP/UNF



part number	Ø tube		Dimensions					
	mm	inch	F	T	L	B	C	E
3520-04-02	6	1/4"	1/8-28	7/16-20	25	9	8	14
3520-05-02	6	1/4"	1/8-28	1/2-20	25	9	8	16
3520-06-04	8	5/16"	1/4-19	9/16-18	30	10	11	17
3520-08-04	8	5/16"	1/4-19	3/4-16	32	11	11	22
3520-08-06	10	3/8"	3/8-19	3/4-16	33	11	12	22
3520-08-08	12	1/2"	1/2-14	3/4-16	36	11	14	22
3520-10-06	10	3/8"	3/8-19	7/8-14	36	12,5	12	27
3520-10-08	12	1/2"	1/2-14	7/8-14	38	13	14	27
3520-10-12	20	3/4"	3/4-11	7/8-14	42	12,5	16	27
3520-12-08	12	1/2"	1/2-14	1.1/16-12	42	15	14	32
3520-12-12	20	3/4"	3/4-11	1.1/16-12	44	15	16	32
3520-16-12	20	3/4"	3/4-11	1.5/16-12	45	15	16	38
3520-16-16	25	1"	1-11	1.5/16-12	48	15	19	38
3520-20-20	32	1.1/4"	1.1/4-11	1.5/8-12	51	15	20	50
3520-24-24	38	1.1/2"	1.1/2-11	1.7/8-12	55	15	22	55

3525 **Коннектор наружные резьбы, удли**

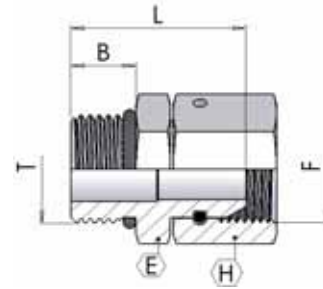
Long Male Connector BSP/UNF



part number	Ø tube		Dimensions					
	mm	inch	F	T	L	B	C	E
3525-04-02	6	1/4"	1/8-28	7/16-20	46	9	29	14
3525-05-02	6	1/4"	1/8-28	1/2-20	46	9	29	16
3525-06-04	8	5/16"	1/4-19	9/16-18	55	10	36	17
3525-08-04	8	5/16"	1/4-19	3/4-16	57	11	36	22
3525-08-06	10	3/8"	3/8-19	3/4-16	64	11	43	22
3525-08-08	12	1/2"	1/2-14	3/4-16	70	11	48	22
3525-10-06	10	3/8"	3/8-19	7/8-14	67	12,5	43	27
3525-10-08	12	1/2"	1/2-14	7/8-14	71	13	48	27
3525-10-12	20	3/4"	3/4-11	7/8-14	83	12,5	57	27
3525-12-08	12	1/2"	1/2-14	1.1/16-12	76	15	48	32
3525-12-12	20	3/4"	3/4-11	1.1/16-12	85	15	57	32
3525-16-12	20	3/4"	3/4-11	1.5/16-12	86	15	57	38
3525-16-16	25	1"	1-11	1.5/16-12	97	15	68	38
3525-20-20	32	1.1/4"	1.1/4-11	1.5/8-12	114	15	84	50
3525-24-24	38	1.1/2"	1.1/2-11	1.7/8-12	125	15	93	55

3570 **Адаптер гайка BSP/UNF наружная рез**

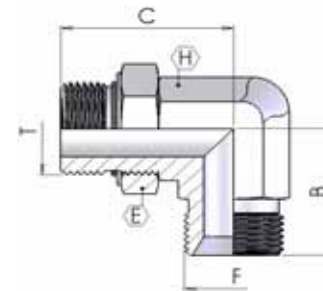
Swivel Nut Female BSP/UNF



part number	Ø tube		Dimensions					
	mm	inch	F	T	B	L	E	H
3570-04-02	6	1/4"	1/8-28	7/16-20	9	28	14	14
3570-05-02	6	1/4"	1/8-28	1/2-20	9	28	16	14
3570-06-04	8	5/16"	1/4-19	9/16-18	10	29	17	19
3570-08-04	8	5/16"	1/4-19	3/4-16	11	31	22	19
3570-08-06	10	3/8"	3/8-19	3/4-16	11	32	22	22
3570-08-08	12	1/2"	1/2-14	3/4-16	11	37	22	27
3570-10-06	10	3/8"	3/8-19	7/8-14	13	36	27	22
3570-10-08	12	1/2"	1/2-14	7/8-14	13	38	27	27
3570-10-12	20	3/4"	3/4-11	7/8-14	13	41	27	32
3570-12-08	12	1/2"	1/2-14	1.1/16-12	15	43	32	27
3570-12-12	20	3/4"	3/4-11	1.1/16-12	15	43	32	32
3570-16-12	20	3/4"	3/4-11	1.5/16-12	15	45	38	32
3570-16-16	25	1"	1-11	1.5/16-12	15	51	38	41
3570-20-20	32	1.1/4"	1.1/4-11	1.5/8-12	15	53	50	50
3570-24-24	38	1.1/2"	1.1/2-11	1.7/8-12	15	57	55	60

3920 **Коннектор 90° наружные резьбы BSP/UNF**

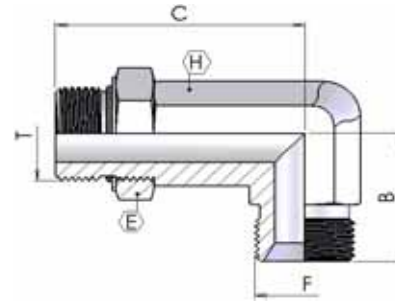
Adjustable Elbow BSP/UNF



part number	Ø tube		Dimensions					
	mm	inch	F	T	B	C	H	E
3920-04-02	6	1/4"	1/8"	7/16-20	23	46	12	14
3920-05-02	6	1/4"	1/8"	1/2-20	24	50	14	16
3920-06-04	8	5/16"	1/4"	9/16-18	27	57	14	19
3920-08-04	8	5/16"	1/4"	3/4-16	29	67	19	22
3920-08-06	10	3/8"	3/8"	3/4-16	32	67	19	22
3920-08-08	12	1/2"	1/2"	3/4-16	37	75	22	22
3920-10-06	10	3/8"	3/8"	7/8-14	34	78	22	27
3920-10-08	12	1/2"	1/2"	7/8-14	37	78	22	27
3920-10-12	20	3/4"	3/4"	7/8-14	42	88	27	27
3920-12-08	12	1/2"	1/2"	1.1/16-12	40	92	27	32
3920-12-12	20	3/4"	3/4"	1.1/16-12	42	92	27	32
3920-16-12	20	3/4"	3/4"	1.5/16-12	45	105	33	41
3920-16-16	25	1"	1"	1.5/16-12	46	105	33	41
3920-20-20	32	1.1/4"	1.1/4"	1.5/8-12	52	124	41	50
3920-24-24	38	1.1/2"	1.1/2"	1.7/8-12	59	135	48	55

3925 Регулируемый адаптер 90°, наружные резьбы, удлиненный BSP/UNF

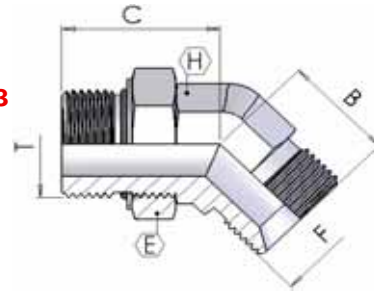
Adjustable Elbow BSP/UNF



part number	Ø tube		Dimensions					
	mm	inch	F	T	B	C	H	E
3925-04-02	6	1/4"	1/8"	7/16-20	23	26	12	14
3925-05-02	6	1/4"	1/8"	1/2-20	24	29	14	16
3925-06-04	8	5/16"	1/4"	9/16-18	27	32	14	19
3925-08-04	8	5/16"	1/4"	3/4-16	29	37	19	22
3925-08-06	10	3/8"	3/8"	3/4-16	32	37	19	22
3925-08-08	12	1/2"	1/2"	3/4-16	37	40	22	22
3925-10-06	10	3/8"	3/8"	7/8-14	34	43	22	27
3925-10-08	12	1/2"	1/2"	7/8-14	37	43	22	27
3925-10-12	20	3/4"	3/4"	7/8-14	42	46	27	27
3925-12-08	12	1/2"	1/2"	1.1/16-12	40	50	27	32
3925-12-12	20	3/4"	3/4"	1.1/16-12	42	50	27	32
3925-16-12	20	3/4"	3/4"	1.5/16-12	45	52	33	41
3925-16-16	25	1"	1"	1.5/16-12	46	52	33	41
3925-20-20	32	1.1/4"	1.1/4"	1.5/8-12	52	57	41	50
3925-24-24	38	1.1/2"	1.1/2"	1.7/8-12	59	61	48	55

3420 Регулируемый адаптер 45°, наружные рез

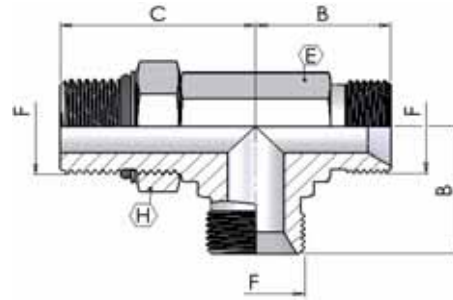
Adjustable Elbow BSP/UNF



part number	Ø tube		Dimensions					
	mm	inch	F	T	B	C	H	E
3420-04-02	6	1/4"	1/8"	7/16-20	12	27	12	14
3420-05-02	6	1/4"	1/8"	1/2-20	14	27	14	16
3420-06-04	8	5/16"	1/4"	9/16-18	14	29	14	19
3420-08-04	8	5/16"	1/4"	3/4-16	19	33	19	22
3420-08-06	10	3/8"	3/8"	3/4-16	19	33	19	22
3420-08-08	12	1/2"	1/2"	3/4-16	22	35	22	22
3420-10-06	10	3/8"	3/8"	7/8-14	22	39	22	27
3420-10-08	12	1/2"	1/2"	7/8-14	22	39	22	27
3420-10-12	20	3/4"	3/4"	7/8-14	27	40	27	27
3420-12-08	12	1/2"	1/2"	1.1/16-12	27	44	27	32
3420-12-12	20	3/4"	3/4"	1.1/16-12	27	44	27	32
3420-16-12	20	3/4"	3/4"	1.5/16-12	33	47	33	41
3420-16-16	25	1"	1"	1.5/16-12	33	47	33	41
3420-20-20	32	1.1/4"	1.1/4"	1.5/8-12	41	49	41	50
3420-24-24	38	1.1/2"	1.1/2"	1.7/8-12	48	49	48	55

3620 Регулируемый тройник, наружные резьбы, нижнее подключение UNF/BSP

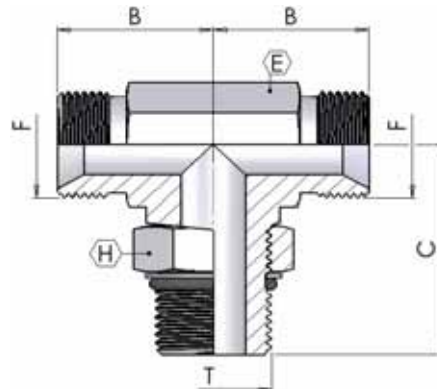
Adjustable Run Tee BSP/UNF



part number	Ø tube		Dimensions					
	mm	inch	F	T	B	C	H	E
3620-04-02	6	1/4"	1/8-28	7/16-20	23	26	14	12
3620-05-02	6	1/4"	1/8-28	1/2-20	24	29	16	14
3620-06-04	8	5/16"	1/4-19	9/16-18	27	32	19	14
3620-08-04	8	5/16"	1/4-19	3/4-16	29	37	22	19
3620-08-06	10	3/8"	3/8-19	3/4-16	32	37	22	19
3620-08-08	12	1/2"	1/2-14	3/4-16	37	40	22	22
3620-10-06	10	3/8"	3/8-19	7/8-14	34	43	27	22
3620-10-08	12	1/2"	1/2-14	7/8-14	37	43	27	22
3620-10-12	20	3/4"	3/4-11	7/8-14	42	46	27	27
3620-12-08	12	1/2"	1/2-14	1.1/16-12	40	50	32	27
3620-12-12	20	3/4"	3/4-11	1.1/16-12	42	50	32	27
3620-16-12	20	3/4"	3/4-11	1.5/16-12	45	52	41	33
3620-16-16	25	1"	1-11	1.5/16-12	46	52	41	33
3620-20-20	32	1.1/4"	1.1/4-11	1.5/8-12	52	57	50	41
3620-24-24	38	1.1/2"	1.1/2-11	1.7/8-12	59	61	55	48

3625 Регулируемый тройник, наружные резьбы, боковое подключение UNF/BSP

Adjustable Branch Tee BSP/UNF



part number	Ø tube		Dimensions					
	mm	inch	F	T	B	C	H	E
3625-04-02	6	1/4"	1/8-28	7/16-20	23	26	14	12
3625-05-02	6	1/4"	1/8-28	1/2-20	24	29	16	14
3625-06-04	8	5/16"	1/4-19	9/16-18	27	32	19	14
3625-08-04	8	5/16"	1/4-19	3/4-16	29	37	22	19
3625-08-06	10	3/8"	3/8-19	3/4-16	32	37	22	19
3625-08-08	12	1/2"	1/2-14	3/4-16	37	40	22	22
3625-10-06	10	3/8"	3/8-19	7/8-14	34	43	27	22
3625-10-08	12	1/2"	1/2-14	7/8-14	37	43	27	22
3625-10-12	20	3/4"	3/4-11	7/8-14	42	46	27	27
3625-12-08	12	1/2"	1/2-14	1.1/16-12	40	50	32	27
3625-12-12	20	3/4"	3/4-11	1.1/16-12	42	50	32	27
3625-16-12	20	3/4"	3/4-11	1.5/16-12	45	52	41	33
3625-16-16	25	1"	1-11	1.5/16-12	46	52	41	33
3625-20-20	32	1.1/4"	1.1/4-11	1.5/8-12	52	57	50	41
3625-24-24	38	1.1/2"	1.1/2-11	1.7/8-12	59	61	55	48

