



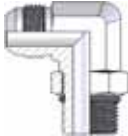




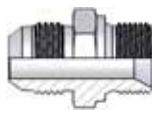
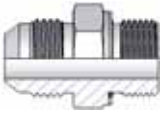




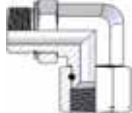


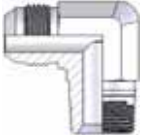


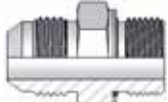
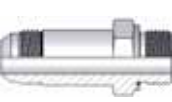
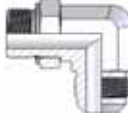
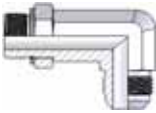


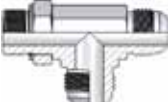
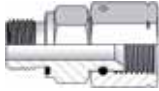



## Адаптеры JIC

Страница / Page	3	4	4			
Nut, Slives						
	<b>5000</b> Nut	<b>5010</b> Metric Sleeve	<b>5020</b> Sleeve			
Страница / Page	5	5	6	7	7	
JIC swivel						
	<b>5050</b> Swivel Connector M UNF x F JIC	<b>5055</b> Swivel Union M Jic x F Jic	<b>5035</b> Swivel Connector M BSP x F JIC	<b>5056</b> Swivel Reduction M Jic x F Jic	<b>5060</b> 90° Swivel Elbow F JIC x M JIC	
Страница / Page	8	8	9		9	
JIC swivel				NPSM NPTF		
	<b>5070</b> 45° Swivel Elbow F JIC x M JIC	<b>5080</b> Run Tee Swivel Connector	<b>5090</b> Branch Tee Swivel Connector		<b>5260</b> Swivel Connector F NPSM x M NPTF	
Страница / Page	10	10	11	11	12	
JIC JIC						
	<b>1900</b> Union	<b>5110</b> Bulkhead Union	<b>5100</b> 90° Elbow Union	<b>5130</b> 90° Bulkhead Elbow Union	<b>5114</b> Bulkhead 45° Union Elb. JIC	
Страница / Page	12	13	13	14		
JIC JIC						
	<b>5120</b> Union Tee JIC	<b>5135</b> Bulkhead Run Tee JIC	<b>5137</b> Bulkhead Branch Tee JIC	<b>5900</b> Union Cross JIC		
Страница / Page	14	15	15	16	16	17
JIC NPTF						
	<b>1906</b> Male Connector M JIC x M NPTF	<b>5140</b> 90° Elbow Connector M JIC x M NPTF	<b>5160</b> Run Tee Connector Jic-Jic-NPTF	<b>5150</b> 45° Elbow Connector M JIC x M NPTF	<b>5170</b> Branch Tee Connector Jic-NPTF-Jic	<b>5180</b> Male-Female Connector M JIC x F NPTF

Dimensions and general characteristics may be changed at any time without prior notice.

Data contained herein are for information purpose only, and it does not enlarge, amend or imply any warranty other than provided by us with the product  
Any use of the product not in conformance with our instructions may be dangerous.

● ● ● ● ● ● **Адаптеры JIC**

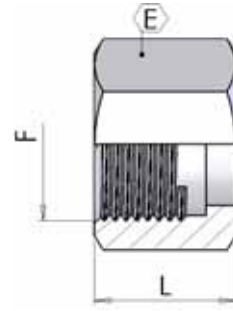
Страница / Page	18	18	19	19	20	
<b>JIC UNF</b>						
	<b>1907</b> Male Connector M JIC x M UNF	<b>5205</b> Long Male Connector M Jic x M UNF	<b>5190</b> 90° Elbow Connector UNF Orientable	<b>5195</b> Long Adjustable Elbow UNF Orientable	<b>5200</b> 45° Elbow Connector UNF Orientable	
Страница / Page	20	21	21	22	23	
<b>JIC UNF</b>			<b>JIC BSP</b>			
	<b>5210</b> Run Tee Connector UNF Orientable	<b>5220</b> Branch Tee Connector UNF Orientable		<b>1905</b> Male Connector M JIC x M BSP	<b>1915</b> Male Connector M Jic x M BSP or	<b>5185</b> Male-Female Connector M JIC x F BSP
Страница / Page	23	24	24	25	25	26
<b>JIC BSP</b>						
	<b>5230</b> 90° Elbow Connector BSP Orientable	<b>5235</b> Adjustable 45° Elbow M JIC x M BSP	<b>5240</b> Run Tee Connector BSP Orientable	<b>5250</b> Branch Tee Connector BSP Orientable	<b>5255</b> Adj. Elb. with swivel nut F JIC x M BSP	<b>5036</b> Swivel Connector F JIC x M BSP or (ED)
Страница / Page	27	27	28	29	30	
<b>JIC BSPT</b>						
	<b>1903</b> Male Connector M Jic x M BSPT	<b>5165</b> 90° Elbow Connector M JIC x M BSPT	<b>5265</b> 45° Elbow Connector M JIC x M BSPT	<b>5275</b> Run Tee Connector Jic-Jic-BSPT	<b>5280</b> Branch Tee Connector Jic-BSPT-Jic	
Страница / Page	31	31	32	32	33	34
<b>JIC METRIC</b>						
	<b>1777</b> Male Connector M Jic x M Metric	<b>5395</b> Long Male Connector M Jic x M Metric	<b>5400</b> Adjustable Elbow M JIC x M Metric	<b>5405</b> Long Adjustable Elbow M JIC x M Metric	<b>5410</b> Adjustable 45° Elbow M JIC x M Metric	<b>5425</b> Adjustable Branch Tee JIC - JIC - Metric
Страница / Page	34	35	35	36	36	
<b>JIC METRIC</b>			<b>Plugs</b>			
	<b>5420</b> Adjustable Run Tee JIC - Metric - JIC	<b>5037</b> Swivel Connector F JIC x M Metric or (ED)		<b>5040</b> SAE Plug	<b>J605</b> JIC Male Plug	<b>J608</b> JIC Female Plug Swivel

Dimensions and general characteristics may be changed at any time without prior notice.

Data contained herein are for information purpose only, and it does not enlarge, amend or imply any warranty other than provided by us with the product  
Any use of the product not in conformance with our instructions may be dangerous.

5000 **Гайка**

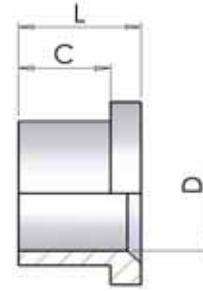
Nut



part number	Ø tube		Dimensions			
	mm	inch	F	L	E	
5000-04	6	1/4"	7/16" - 20	16	14	
5000-05	8	5/16"	1/2" - 20	17	17	
5000-06	10	3/8"	9/16" - 18	18	19	
5000-08	12	1/2"	3/4" - 16	21	22	
5000-10	16	5/8"	7/8" - 14	25	27	
5000-12	20	3/4"	1.1/16" - 12	26	32	
5000-16	25	1"	1.5/16" - 12	28	41	
5000-20	32	1-1/4"	1.5/8" - 12	31	50	
5000-24	38	1-1/2"	1.7/8" - 12	36	60	

### 5010 Кольцо врезное метрическое

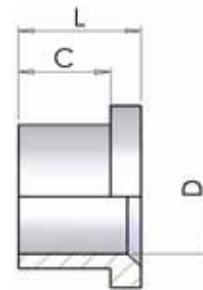
Sleeve for inches tube



part number	Ø tube	Dimensions		
	mm	L	C	D
5010-06	6	10	7	6
5010-08	8	11	7	8
5010-10	10	13	8	10
5010-12	12	14	9	12
5010-14	14	17	11	14
5010-15	15	17	11	15
5010-16	16	17	11	16
5010-18	18	17	11	18
5010-20	20	17	11	20
5010-25	25	20	13	25
5010-30	30	23	15	30
5010-32	32	23	15	32
5010-38	38	28	20	38

### 5020 Кольцо дюймовое

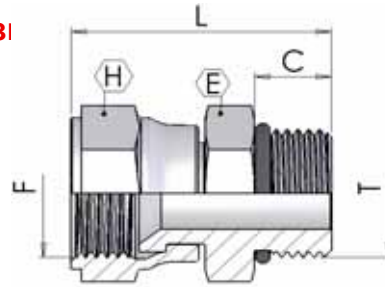
Sleeve for inches tube



part number	Ø tube	Dimensions		
	inch	L	C	D
5020-04	1/4"	10	7	1/4"
5020-05	5/16"	11	7	5/16"
5020-06	3/8"	13	8	3/8"
5020-08	1/2"	14	9	1/2"
5020-10	5/8"	17	11	5/8"
5020-12	3/4"	17	11	3/4"
5020-16	1"	20	13	1"
5020-20	1.1/4"	23	15	1.1/4"
5020-24	1.1/2"	28	20	1.1/2"

### 5050 Коннектор гайка JIC X UNF наружная резьба

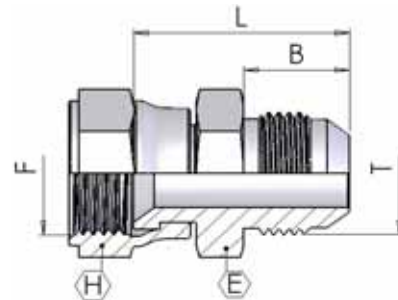
Connector swivel JIC female X UNF male



part number	Ø tube		Dimensions					
	mm	inch	F	T	C	L	H	E
5050-04	6	1/4"	7/16" - 20	7/16" - 20	9	33	15	14
5050-05	8	5/16"	1/2" - 20	1/2" - 20	9	34	17	17
5050-06	10	3/8"	9/16" - 18	9/16" - 18	10	36	19	17
5050-08	12	1/2"	3/4" - 16	3/4" - 16	11	42	24	22
5050-10	16	5/8"	7/8" - 14	7/8" - 14	13	47	27	27
5050-12	20	3/4"	1.1/16" - 12	1.1/16" - 12	15	51	32	32
5050-16	25	1"	1.5/16" - 12	1.5/16" - 12	15	58	38	38
5050-20	32	1-1/4"	1.5/8" - 12	1.5/8" - 12	15	63	50	50
5050-24	38	1-1/2"	1.7/8" - 12	1.7/8" - 12	15	68	55	55

### 5055 Адаптер JIC гайка/наружная резьба

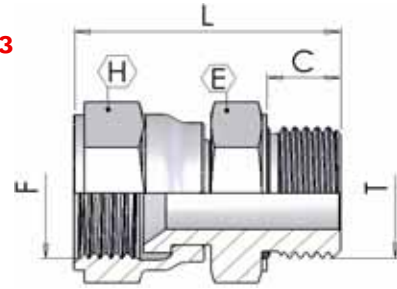
Swivel Union M/F JIC



part number	Ø tube		Dimensions					
	mm	inch	F	T	C	L	H	E
5055-04	6	1/4"	7/16" - 20	7/16" - 20	14	27	15	12
5055-05	8	5/16"	1/2" - 20	1/2" - 20	14	28	17	14
5055-06	10	3/8"	9/16" - 18	9/16" - 18	14	29	19	15
5055-08	12	1/2"	3/4" - 16	3/4" - 16	17	34	24	19
5055-10	16	5/8"	7/8" - 14	7/8" - 14	19	39	27	24
5055-12	20	3/4"	1.1/16" - 12	1.1/16" - 12	22	43	32	27
5055-16	25	1"	1.5/16" - 12	1.5/16" - 12	23	47	38	34
5055-20	32	1-1/4"	1.5/8" - 12	1.5/8" - 12	24	53	50	42
5055-24	38	1-1/2"	1.7/8" - 12	1.7/8" - 12	28	60	55	50
5055-32	50	2"	2.1/2"-12	2.1/2"-12	34	71	60	65

**5035 Коннектор гайка JIC X BSP наружная рез**

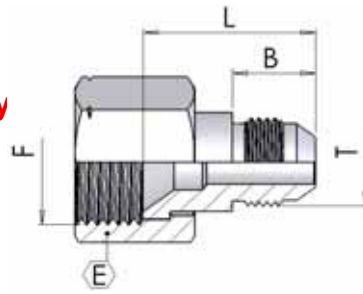
Connector swivel JIC female X BSP male



part number	Ø tube		Dimensions					
	mm	inch	F	T	C	L	H	E
5035-04-02	6	1/4"	7/16" - 20	1/8"-28	8	28	15	14
5035-04-04	6	1/4"	7/16" - 20	1/4"-19	11	33	15	19
5035-04-06	6	1/4"	7/16" - 20	3/8"-19	11	36	15	22
5035-04-08	6	1/4"	7/16" - 20	1/2"-14	15	41	15	27
5035-05-04	8	5/16"	1/2" - 20	1/4"-19	11	34	17	19
5035-05-06	8	5/16"	1/2" - 20	3/8"-19	11	37	17	22
5035-06-04	10	3/8"	9/16" - 18	1/4"-19	11	35	19	19
5035-06-06	10	3/8"	9/16" - 18	3/8"-19	11	36	19	22
5035-06-08	10	3/8"	9/16" - 18	1/2"-14	15	41	19	27
5035-08-04	12	1/2"	3/4" - 16	1/4"-19	11	36	24	19
5035-08-06	12	1/2"	3/4" - 16	3/8"-19	11	39	24	22
5035-08-08	12	1/2"	3/4" - 16	1/2"-14	15	43	24	27
5035-10-06	16	5/8"	7/8" - 14	3/8"-19	11	43	27	22
5035-10-08	16	5/8"	7/8" - 14	1/2"-14	15	47	27	27
5035-10-12	16	5/8"	7/8" - 14	3/4"-14	15	49	27	32
5035-12-08	20	3/4"	1.1/16" - 12	1/2"-14	15	49	32	27
5035-12-12	20	3/4"	1.1/16" - 12	3/4"-14	15	49	32	32
5035-12-16	20	3/4"	1.1/16" - 12	1"-11	19	55	32	41
5035-16-12	25	1"	1.5/16" - 12	3/4"-14	15	52	38	32
5035-16-16	25	1"	1.5/16" - 12	1"-11	19	58	38	41
5035-16-20	25	1"	1.5/16" - 12	1.1/4"-11	19	63	38	50
5035-20-16	32	1-1/4"	1.5/8" - 12	1"-11	19	58	50	41
5035-20-20	32	1-1/4"	1.5/8" - 12	1.1/4"-11	19	63	50	50
5035-24-24	38	1-1/2"	1.7/8" - 12	1.1/2"-11	19	69	55	55

**5056 Адаптер редукционный JIC гайка/нару**

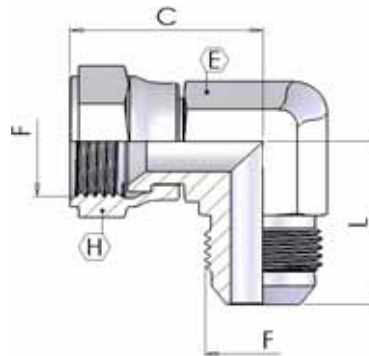
Swivel Reduction M/F JIC



part number	Ø tube		Dimensions				
	mm	inch	F	T	B	L	E
5056-06-04	10	3/8"	9/16" - 18	7/16" - 20	14	23	19
5056-06-05	10	3/8"	9/16" - 18	1/2" - 20	14	23	19
5056-08-04	12	1/2"	3/4" - 16	7/16" - 20	14	24	22
5056-08-05	12	1/2"	3/4" - 16	1/2" - 20	14	24	22
5056-08-06	12	1/2"	3/4" - 16	9/16" - 18	14	24	22
5056-10-04	16	5/8"	7/8" - 14	7/16" - 20	14	25	27
5056-10-06	16	5/8"	7/8" - 14	9/16" - 18	14	25	27
5056-10-08	16	5/8"	7/8" - 14	3/4" - 16	17	28	27
5056-12-04	20	3/4"	1.1/16" - 12	7/16" - 20	14	27	32
5056-12-06	20	3/4"	1.1/16" - 12	9/16" - 18	14	27	32
5056-12-08	20	3/4"	1.1/16" - 12	3/4" - 16	17	30	32
5056-12-10	20	3/4"	1.1/16" - 12	7/8" - 14	19	32	32
5056-16-10	25	1"	1.5/16" - 12	7/8" - 14	19	34	41
5056-16-12	25	1"	1.5/16" - 12	1.1/16" - 12	22	36	41
5056-20-12	32	1.1/4"	1.5/8" - 12	1.1/16" - 12	22	39	50
5056-20-16	32	1.1/4"	1.5/8" - 12	1.5/16" - 12	23	40	50
5056-24-12	38	1.1/2"	1.7/8" - 12	1.1/16" - 12	22	41	60
5056-24-16	38	1.1/2"	1.7/8" - 12	1.5/16" - 12	23	42	60
5056-24-20	38	1.1/2"	1.7/8" - 12	1.5/8" - 12	24	43	60

**5060 Коннектор 90° JIC гайка/наружная резьба**

90° connector swivel JIC female X JIC male

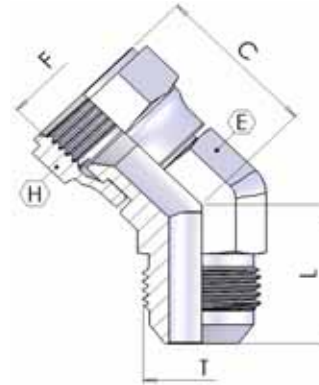


part number	Ø tube		Dimensions					
	mm	inch	F	T	C	L	H	E
5060-04	6	1/4"	7/16" - 20	7/16" - 20	26	23	16	14
5060-05	8	5/16"	1/2" - 20	1/2" - 20	29	26	16	14
5060-06	10	3/8"	9/16" - 18	9/16" - 18	32	26	19	14
5060-08	12	1/2"	3/4" - 16	3/4" - 16	35	32	24	19
5060-10	16	5/8"	7/8" - 14	7/8" - 14	41	36	27	22
5060-12	20	3/4"	1.1/16" - 12	1.1/16" - 12	44	40	32	27
5060-16	25	1"	1.5/16" - 12	1.5/16" - 12	50	42	38	34
5060-20	32	1.1/4"	1.5/8" - 12	1.5/8" - 12	59	52	50	41
5060-24	38	1.1/2"	1.7/8" - 12	1.7/8" - 12	66	59	60	48
5060-32	50	2"	2.1/2" - 12	2.1/2" - 12	78	85	66	70



**5070 Коннектор 45° JIC гайка/наружная резьба**

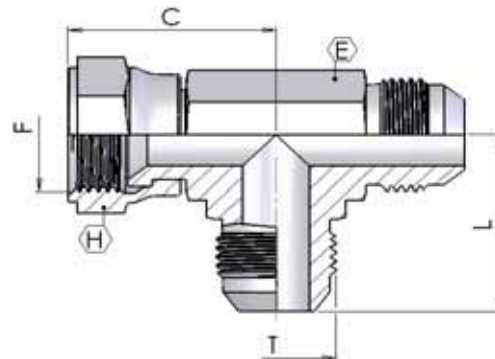
45° connector swivel JIC female X JIC male



part number	Ø tube		Dimensions					
	mm	inch	F	T	C	L	H	E
5070-04	6	1/4"	7/16" - 20	7/16" - 20	24	19	16	14
5070-05	8	5/16"	1/2" - 20	1/2" - 20	25	21	16	14
5070-06	10	3/8"	9/16" - 18	9/16" - 18	25	21	19	14
5070-08	12	1/2"	3/4" - 16	3/4" - 16	32	29	24	19
5070-10	16	5/8"	7/8" - 14	7/8" - 14	34	29	27	22
5070-12	20	3/4"	1.1/16" - 12	1.1/16" - 12	38	33	32	27
5070-16	25	1"	1.5/16" - 12	1.5/16" - 12	44	48	38	33

**5080 Тройник боковая гайка**

Female run tee

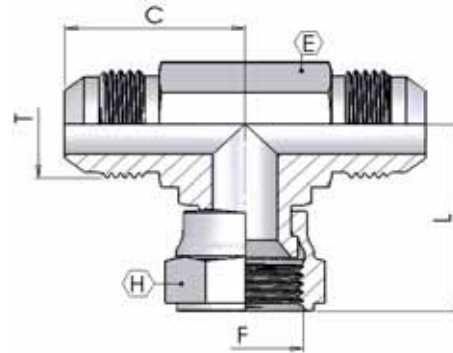


part number	Ø tube		Dimensions					
	mm	inch	F	T	C	L	H	E
5080-04	6	1/4"	7/16" - 20	7/16" - 20	25	23	15	11
5080-05	8	5/16"	1/2" - 20	1/2" - 20	27	24	17	13
5080-06	10	3/8"	9/16" - 18	9/16" - 18	32	27	19	14
5080-08	12	1/2"	3/4" - 16	3/4" - 16	35	32	24	19
5080-10	16	5/8"	7/8" - 14	7/8" - 14	41	37	27	22
5080-12	20	3/4"	1.1/16" - 12	1.1/16" - 12	44	42	32	27
5080-16	25	1"	1.5/16" - 12	1.5/16" - 12	51	46	38	33
5080-20	32	1.1/4"	1.5/8" - 12	1.5/8" - 12	58	52	50	41



**5090**    **Тройник нижняя гайка**

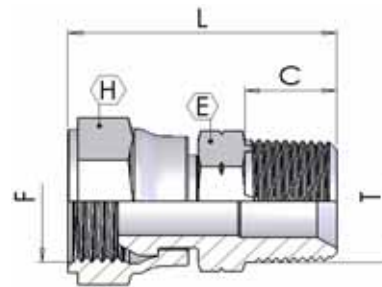
Female branch tee



part number	Ø tube		Dimensions					
	mm	inch	F	T	C	L	H	E
5090-04	6	1/4"	7/16" - 20	7/16" - 20	25	26	15	14
5090-05	8	5/16"	1/2" - 20	1/2" - 20	24	27	17	14
5090-06	10	3/8"	9/16" - 18	9/16" - 18	26	30	19	14
5090-08	12	1/2"	3/4" - 16	3/4" - 16	32	35	24	19
5090-10	16	5/8"	7/8" - 14	7/8" - 14	37	41	27	22
5090-12	20	3/4"	1.1/16" - 12	1.1/16" - 12	42	44	32	27
5090-16	25	1"	1.5/16" - 12	1.5/16" - 12	46	52	38	33
5090-20	32	1.1/4"	1.5/8" - 12	1.5/8" - 12	52	59	50	41

**5260**    **Прямой коннектор гайка NPSM X NPTF наружная резьба**

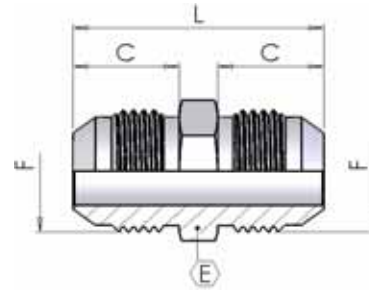
Straight connector NPSM female X NPTF male



part number	Ø tube		Dimensions					
	mm	inch	F	T	C	L	H	E
5260-02	6	1/4"	1/8" - 28	1/8" - 28	10	28	14	13
5260-04	8	5/16"	1/4" - 18	1/4" - 18	14	36	19	15
5260-06	10	3/8"	3/8" - 18	3/8" - 18	14	39	22	19
5260-08	12	1/2"	1/2" - 14	1/2" - 14	19	48	27	27
5260-12	20	3/4"	3/4" - 14	3/4" - 14	19	53	32	32
5260-16	25	1"	1" - 11,5	1" - 11,5	24	61	38	36

## 1900 Коннектор наружная резьба

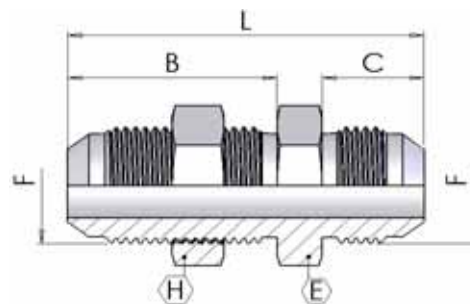
Male connector



part number	Ø tube		Dimensions			
	mm	inch	F	C	L	E
1900-04-04	6	1/4"	7/16" - 20	14	34	12
1900-05-05	8	5/16"	1/2" - 20	14	34	14
1900-06-06	10	3/8"	9/16" - 18	14	34	15
1900-08-08	12	1/2"	3/4" - 16	17	40	19
1900-10-10	16	5/8"	7/8" - 14	19	47	24
1900-12-12	20	3/4"	1.1/16" - 12	22	52	27
1900-16-16	25	1"	1.5/16" - 12	23	56	34
1900-20-20	32	1.1/4"	1.5/8" - 12	24	60	42
1900-24-24	38	1.1/2"	1.7/8" - 12	28	70	50
1900-32-32	50	2"	2.1/2" - 12	34	85	65

## 5110 Прямое переборочное соединение

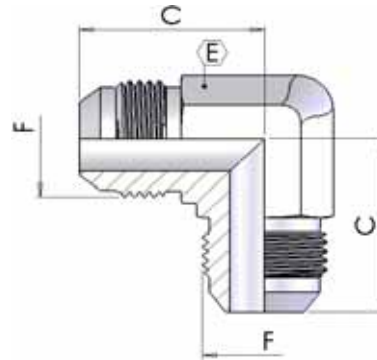
Straight Bulkhead Union



part number	Ø tube		Dimensions					
	mm	inch	F	L	C	B	H	E
5110-04	6	1/4"	7/16" - 20	53	14	31	17	13
5110-05	8	5/16"	1/2" - 20	53	14	31	19	14
5110-06	10	3/8"	9/16" - 18	55	14	33	22	16
5110-08	12	1/2"	3/4" - 16	62	17	37	24	19
5110-10	16	5/8"	7/8" - 14	70	19	41	30	24
5110-12	20	3/4"	1.1/16" - 12	79	22	45	36	27
5110-16	25	1"	1.5/16" - 12	80	23	45	41	36
5110-20	32	1.1/4"	1.5/8" - 12	84	24	47	50	46
5110-24	38	1.1/2"	1.7/8" - 12	89	28	47	55	50

### 5100 90° адаптер

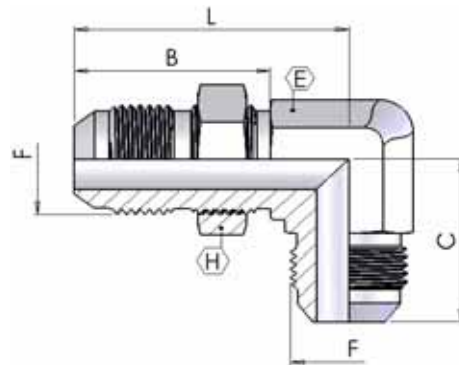
90° Elbow Union



part number	Ø tube		Dimensions		
	mm	inch	F	C	E
5100-04	6	1/4"	7/16" - 20	22	14
5100-05	8	5/16"	1/2" - 20	25	14
5100-06	10	3/8"	9/16" - 18	26	14
5100-08	12	1/2"	3/4" - 16	31	19
5100-10	16	5/8"	7/8" - 14	34	22
5100-12	20	3/4"	1.1/16" - 12	41	27
5100-16	25	1"	1.5/16" - 12	50	35
5100-20	32	1.1/4"	1.5/8" - 12	56	44
5100-24	38	1.1/2"	1.7/8" - 12	61	50
5100-32	50	2"	2.1/2" - 12	75	65

### 5130 Переборочный адаптер 90°

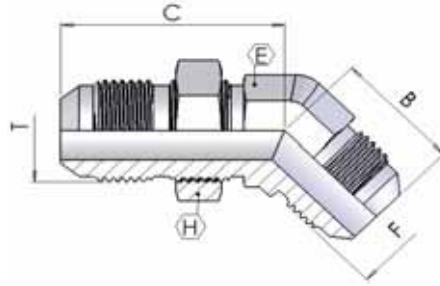
Bulkhead 90° Elbow Union



part number	Ø tube		Dimensions					
	mm	inch	F	C	L	B	H	E
5130-04	6	1/4"	7/16" - 20	25	41	28	17	11
5130-05	8	5/16"	1/2" - 20	27	44	28	19	14
5130-06	10	3/8"	9/16" - 18	28	46	30	22	14
5130-08	12	1/2"	3/4" - 16	35	54	35	24	19
5130-10	16	5/8"	7/8" - 14	40	61	39	30	22
5130-12	20	3/4"	1.1/16" - 12	45	68	43	36	27
5130-16	25	1"	1.5/16" - 12	50	71	43	41	33
5130-20	32	1.1/4"	1.5/8" - 12	55	79	44	50	41

## 5114 Переборочный адаптер 45°

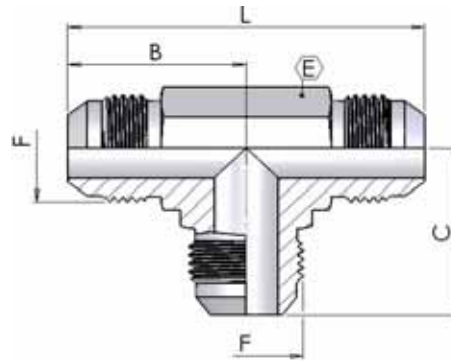
Bulkhead 45° Elbow Union



part number	Ø tube		Dimensions					
	mm	inch	F	T	B	C	H	E
5114-04	6	1/4"	7/16" - 20	7/16" - 20	19	39	17	14
5114-05	8	5/16"	1/2" - 20	1/2" - 20	19	42	19	14
5114-06	10	3/8"	9/16" - 18	9/16" - 18	21	43	22	14
5114-08	12	1/2"	3/4" - 16	3/4" - 16	25	49	24	19
5114-10	16	5/8"	7/8" - 14	7/8" - 14	28	55	30	22
5114-12	20	3/4"	1.1/16" - 12	1.1/16" - 12	33	62	36	27
5114-16	25	1"	1.5/16" - 12	1.5/16" - 12	38	65	41	33
5114-20	32	1-1/4"	1.5/8" - 12	1.5/8" - 12	41	67	50	41
5114-24	38	1-1/2"	1.7/8" - 12	1.7/8" - 12	45	68	55	48

## 5120 Тройник

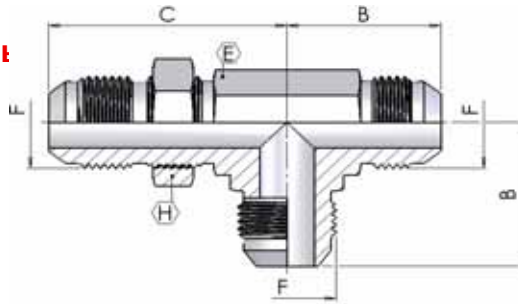
Union Tee



part number	Ø tube		Dimensions				
	mm	inch	F	C	L	B	E
5120-04	6	1/4"	7/16" - 20	26	52	26	14
5120-05	8	5/16"	1/2" - 20	24	48	24	14
5120-06	10	3/8"	9/16" - 18	26	52	26	14
5120-08	12	1/2"	3/4" - 16	32	64	32	19
5120-10	16	5/8"	7/8" - 14	32	64	32	22
5120-12	20	3/4"	1.1/16" - 12	42	84	42	27
5120-16	25	1"	1.5/16" - 12	46	92	46	35
5120-20	32	1.1/4"	1.5/8" - 12	52	104	52	44
5120-24	38	1.1/2"	1.7/8" - 12	59	118	59	50
5120-32	50	2"	2.1/2" - 12	78	156	78	65

**5135 Тройник переборочный наружный**

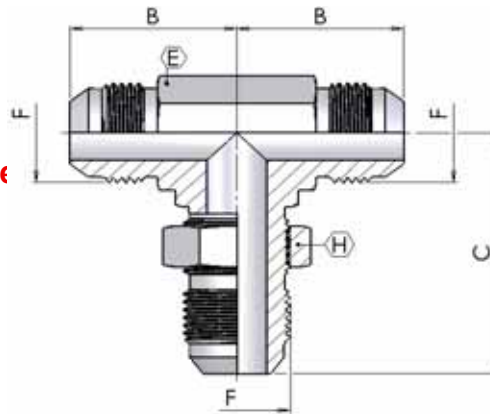
Bulkhead male run tee



part number	Ø tube		Dimensions				
	mm	inch	F	B	C	H	E
5135-04	6	1/4"	7/16" - 20	25	40	17	14
5135-05	8	5/16"	1/2" - 20	27	44	19	14
5135-06	10	3/8"	9/16" - 18	28	46	22	14
5135-08	12	1/2"	3/4" - 16	35	54	24	19
5135-10	16	5/8"	7/8" - 14	40	61	30	22
5135-12	20	3/4"	1.1/16" - 12	45	68	36	27
5135-16	25	1"	1.5/16" - 12	50	71	41	33
5135-20	32	1-1/4"	1.5/8" - 12	55	79	50	41
5135-24	38	1-1/2"	1.7/8" - 12	59	87	55	48

**5137 Тройник переборочный наружный**

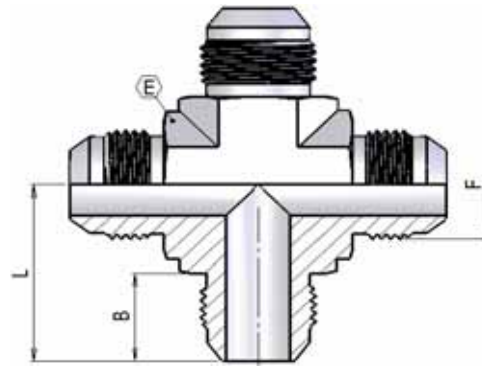
Bulkhead male Branch tee



part number	Ø tube		Dimensions				
	mm	inch	F	B	C	H	E
5137-04	6	1/4"	7/16" - 20	25	40	17	14
5137-05	8	5/16"	1/2" - 20	27	44	19	14
5137-06	10	3/8"	9/16" - 18	28	46	22	14
5137-08	12	1/2"	3/4" - 16	35	54	24	19
5137-10	16	5/8"	7/8" - 14	40	61	30	22
5137-12	20	3/4"	1.1/16" - 12	45	68	36	27
5137-16	25	1"	1.5/16" - 12	50	71	41	33
5137-20	32	1-1/4"	1.5/8" - 12	55	79	50	41
5137-24	38	1-1/2"	1.7/8" - 12	59	87	55	48

## 5900 X-адаптер JIC

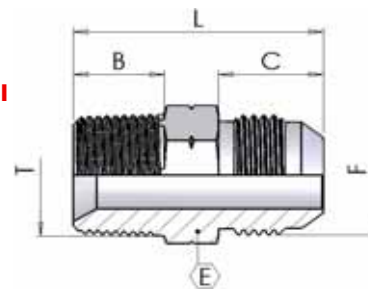
Union Cross JIC



part number	Ø tube		Dimensions					
	mm	inch	F		B	L		E
5900-04	6	1/4"	7/16" - 20		14	23	12	
5900-05	8	5/16"	1/2" - 20		14	24	14	
5900-06	10	3/8"	9/16" - 18		14	27	14	
5900-08	12	1/2"	3/4" - 16		17	32	19	
5900-10	16	5/8"	7/8" - 14		19	37	22	
5900-12	20	3/4"	1.1/16" - 12		22	42	27	
5900-16	25	1"	1.5/16" - 12		23	46	33	
5900-20	32	1-1/4"	1.5/8" - 12		24	52	41	
5900-24	38	1-1/2"	1.7/8" - 12		28	59	48	

## 1906 Коннектор NPTF X JIC наружные резьбы

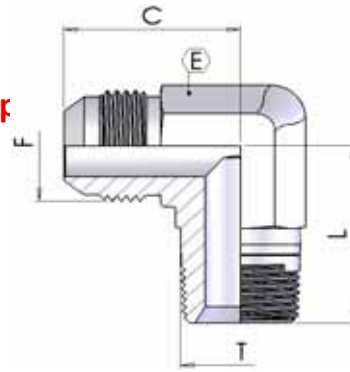
Male connector NPTF male X JIC male



part number	Ø tube		Dimensions						
	mm	inch	F	T	C	L	B	E	
1906-02-04	6	1/4"	7/16" - 20	1/8"	14	30	10	12	
1906-02-05	8	5/16"	1/2" - 20	1/8"	14	31	10	14	
1906-02-06	10	3/8"	9/16" - 18	1/8"	14	30	10	15	
1906-04-04	6	1/4"	7/16" - 20	1/4"	14	35	14	15	
1906-04-05	8	5/16"	1/2" - 20	1/4"	14	35	14	15	
1906-04-06	10	3/8"	9/16" - 18	1/4"	14	36	14	15	
1906-06-06	10	3/8"	9/16" - 18	3/8"	14	36	14	19	
1906-06-08	12	1/2"	3/4" - 16	3/8"	17	39	14	19	
1906-06-10	16	5/8"	7/8" - 14	3/8"	19	43	14	24	
1906-08-04	6	1/4"	7/16" - 20	1/2"	14	41	19	22	
1906-08-06	10	3/8"	9/16" - 18	1/2"	14	41	19	22	
1906-08-08	12	1/2"	3/4" - 16	1/2"	17	44	19	22	
1906-08-10	16	5/8"	7/8" - 14	1/2"	19	48	19	24	
1906-08-12	20	3/4"	1.1/16" - 12	1/2"	22	49	19	27	
1906-12-08	12	1/2"	3/4" - 16	3/4"	17	45	19	27	
1906-12-10	16	5/8"	7/8" - 14	3/4"	19	50	19	27	
1906-12-12	20	3/4"	1.1/16" - 12	3/4"	22	52	19	27	
1906-12-16	25	1"	1.5/16" - 12	3/4"	23	52	19	34	
1906-16-12	20	3/4"	1.1/16" - 12	1"	22	56	24	36	
1906-16-16	25	1"	1.5/16" - 12	1"	23	58	24	36	
1906-16-20	32	1.1/4"	1.5/8" - 12	1"	24	62	24	46	
1906-20-20	32	1.1/4"	1.5/8" - 12	1.1/4"	24	62	25	46	
1906-24-24	38	1.1/2"	1.7/8" - 12	1.1/2"	28	66	25	50	
1906-32-32	50	2"	2.1/2" - 12	2"	34	78	26	65	

**5140 Коннектор 90° JIC X NPTF наружные ϕ**

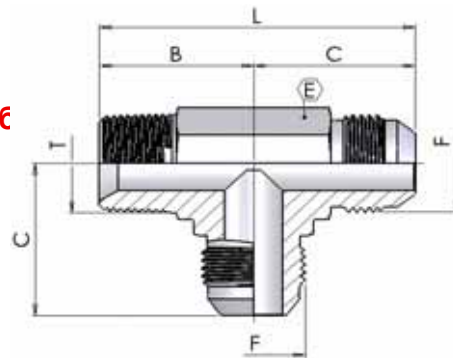
90° connector JIC male X NPTF male



part number	Ø tube		Dimensions				
	mm	inch	F	T	C	L	E
5140-02-04	6	1/4"	7/16" - 20	1/8"	25	24	14
5140-02-05	8	5/16"	1/2" - 20	1/8"	26	24	14
5140-04-04	6	1/4"	7/16" - 20	1/4"	26	27	14
5140-04-05	8	5/16"	1/2" - 20	1/4"	26	27	14
5140-04-06	10	3/8"	9/16" - 18	1/4"	26	27	14
5140-06-06	10	3/8"	9/16" - 18	3/8"	28	32	19
5140-06-08	12	1/2"	3/4" - 16	3/8"	32	32	19
5140-06-10	14	5/8"	7/8" - 14	3/8"	34	36	22
5140-08-06	10	3/8"	9/16" - 18	1/2"	29	36	22
5140-08-08	12	1/2"	3/4" - 16	1/2"	34	36	22
5140-08-10	15	5/8"	7/8" - 14	1/2"	34	36	22
5140-08-12	18	3/4"	1.1/16" - 12	1/2"	40	42	27
5140-12-08	12	1/2"	3/4" - 16	3/4"	36	40	27
5140-12-10	16	5/8"	7/8" - 14	3/4"	39	43	27
5140-12-12	20	3/4"	1.1/16" - 12	3/4"	40	43	27
5140-12-16	25	1"	1.5/16" - 12	3/4"	47	46	35
5140-16-16	25	1"	1.5/16" - 12	1"	47	47	35
5140-16-20	32	1.1/4"	1.5/8" - 12	1"	56	57	44
5140-20-20	32	1.1/4"	1.5/8" - 12	1-1/4"	56	59	44
5140-24-24	38	1.1/2"	1.7/8" - 12	1-1/2"	62	62	50
5140-32-32	50	2"	2.1/2" - 12	2"	74	74	65

**5160 Тройник NPTF X JIC наружные резьбы**

NPTF male Run Tee

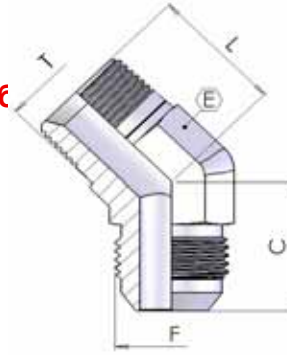


part number	Ø tube		Dimensions					
	mm	inch	F	T	C	L	B	E
5160-02-04	6	1/4"	7/16" - 20	1/8"	23	43	20	14
5160-04-04	6	1/4"	7/16" - 20	1/4"	26	52	26	14
5160-04-05	8	5/16"	1/2" - 20	1/4"	24	51	27	14
5160-04-06	10	3/8"	9/16" - 18	1/4"	27	55	28	14
5160-06-08	12	1/2"	3/4" - 16	3/8"	32	63	31	19
5160-08-10	16	5/8"	7/8" - 14	1/2"	37	74	37	22
5160-12-12	20	3/4"	1.1/16" - 12	3/4"	42	82	40	27
5160-16-16	25	1"	1.5/16" - 12	1"	46	92	45,5	32



**5150 Коннектор 45° JIC X NPTF наружные резьбы**

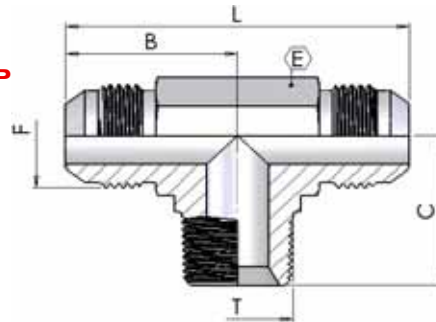
45° connector JIC male X NPTF male



part number	Ø tube		Dimensions					
	mm	inch	F	T	C	L	E	
5150-02-04	6	1/4"	7/16" - 20	1/8"	20	18	14	
5150-02-05	8	5/16"	1/2" - 20	1/8"	22	20	14	
5150-04-04	6	1/4"	7/16" - 20	1/4"	21	20	14	
5150-04-05	8	5/16"	1/2" - 20	1/4"	20	20	14	
5150-04-06	10	3/8"	9/16" - 18	1/4"	22	23	19	
5150-06-06	10	3/8"	9/16" - 18	3/8"	22	23	19	
5150-06-08	12	1/2"	3/4" - 16	3/8"	27	23	22	
5150-06-10	14	5/8"	7/8" - 14	3/8"	29	23	22	
5150-08-06	10	3/8"	9/16" - 18	1/2"	22	28	22	
5150-08-08	12	1/2"	3/4" - 16	1/2"	27	28	22	
5150-08-10	15	5/8"	7/8" - 14	1/2"	32	32	27	
5150-08-12	18	3/4"	1.1/16" - 12	1/2"	35	32	27	
5150-12-08	12	1/2"	3/4" - 16	3/4"	30	32	27	
5150-12-10	16	5/8"	7/8" - 14	3/4"	29	29	27	
5150-12-12	20	3/4"	1.1/16" - 12	3/4"	33	32	27	
5150-12-16	25	1"	1.5/16" - 12	3/4"	29	29	35	
5150-16-16	25	1"	1.5/16" - 12	1"	37	38	35	
5150-16-20	32	1.1/4"	1.5/8" - 12	1"	42	43	44	
5150-20-20	32	1.1/4"	1.5/8" - 12	1-1/4"	42	43	44	
5150-24-24	38	1.1/2"	1.7/8" - 12	1-1/2"	44	43	50	
5150-32-32	50	2"	2.1/2" - 12	2"	53	52	65	70

**5170 Тройник NPTF X JIC наружные резьбы**

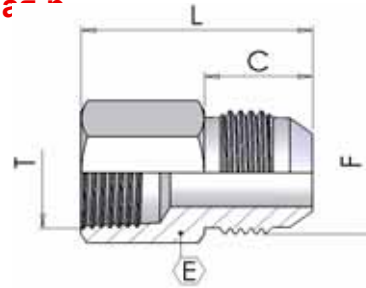
NPTF male branch Tee



part number	Ø tube		Dimensions						
	mm	inch	F	T	C	L	B	E	
5170-02-04	6	1/4"	7/16" - 20	1/8"	20	46	23	14	
5170-04-04	6	1/4"	7/16" - 20	1/4"	26	52	26	14	
5170-04-05	8	5/16"	1/2" - 20	1/4"	26	52	26	14	
5170-04-06	10	3/8"	9/16" - 18	1/4"	28	54	27	14	
5170-06-08	12	1/2"	3/4" - 16	3/8"	31	64	32	19	
5170-08-10	16	5/8"	7/8" - 14	1/2"	37	74	37	22	
5170-12-12	20	3/4"	1.1/16" - 12	3/4"	40	84	42	27	
5170-16-16	25	1"	1.5/16" - 12	1"	50	92	46	35	

**5180 Коннектор NPTF внутренняя X JIC наружная**

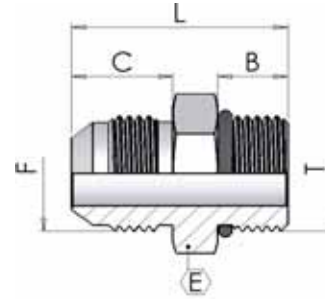
Connector NPTF female X JIC male



part number	Ø tube		Dimensions					
	mm	inch	F	T	C	L	E	
5180-02-04	6	1/4"	7/16" - 20	1/8" - 27	14	30	14	
5180-02-05	8	5/16"	1/2" - 20	1/8" - 27	14	30	14	
5180-04-06	10	3/8"	9/16" - 18	1/4" - 18	14	35	19	
5180-06-06	10	3/8"	9/16" - 18	3/8" - 18	14	39	22	
5180-06-08	12	1/2"	3/4" - 16	3/8" - 14	17	39	22	
5180-08-10	16	5/8"	7/8" - 14	1/2" - 14	19	46	24	
5180-12-12	20	3/4"	1.1/16" - 12	3/4" - 14	22	51	27	
5180-16-16	25	1"	1.5/16" - 12	1" - 11.1/2	23	54	36	

**1907**
**Коннектор JIC X UNF наружные резьбы**

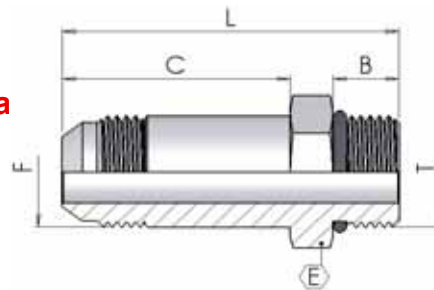
Male connector JIC male X UNF straight thread



part number	Ø tube		Dimensions					
	mm	inch	F	T	C	L	B	E
1907-04-04	6	1/4"	7/16" - 20	7/16" - 20	14	31	9	14
1907-04-05	6	1/4"	7/16" - 20	1/2" - 20	14	31	9	17
1907-04-06	6	1/4"	7/16" - 20	9/16" - 18	14	32	10	17
1907-05-05	8	5/16"	1/2" - 20	1/2" - 20	14	31	9	17
1907-05-08	8	5/16"	1/2" - 20	3/4" - 14	14	35	11	22
1907-06-06	10	3/8"	9/16" - 18	9/16" - 18	14	33	10	17
1907-06-08	10	3/8"	9/16" - 18	3/4" - 14	14	35	11	22
1907-08-08	12	1/2"	3/4" - 14	3/4" - 14	17	38	11	22
1907-08-10	12	1/2"	3/4" - 14	7/8" - 14	17	39	13	27
1907-10-08	14	5/8"	7/8" - 14	3/4" - 14	19	38	11	24
1907-10-10	15	5/8"	7/8" - 14	7/8" - 14	19	43	13	27
1907-10-12	16	5/8"	7/8" - 14	1.1/16" - 12	19	47	15	32
1907-12-10	20	3/4"	1.1/16" - 12	7/8" - 14	22	46	13	27
1907-12-12	20	3/4"	1.1/16" - 12	1.1/16" - 12	22	50	15	32
1907-12-16	20	3/4"	1.1/16" - 12	1.5/16" - 12	22	51	15	38
1907-16-12	25	1"	1.5/16" - 12	1.1/16" - 12	23	51	15	34
1907-16-16	25	1"	1.5/16" - 12	1.5/16" - 12	23	52	15	38
1907-20-20	32	1.1/4"	1.5/8" - 12	1.5/8" - 12	24	55	15	50
1907-24-24	38	1.1/2"	1.7/8" - 12	1.7/8" - 12	28	60	15	55

**5205**
**Коннектор удлиненный JIC X UNF на**

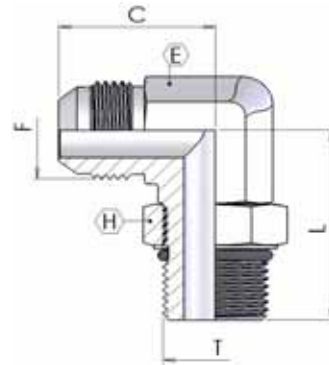
Long Male Connector Jic/UNF



part number	Ø tube		Dimensions					
	mm	inch	F	T	L	B	C	E
5205-04-04	6	1/4"	7/16-20	7/16-20	53	9	36	14
5205-05-05	8	5/16"	1/2-20	1/2-20	54	9	37	16
5205-06-06	10	3/8"	9/16-18	9/16-18	59	10	40	17
5205-08-06	10	3/8"	9/16-18	3/4-16	60	11	40	22
5205-08-08	12	1/2"	3/4-16	3/4-16	68	11	48	22
5205-08-10	14-16	5/8"	7/8-14	3/4-16	75	11	53	24
5205-10-08	12	1/2"	3/4-16	7/8-14	72	13	48	27
5205-10-10	14-16	5/8"	7/8-14	7/8-14	77	13	53	27
5205-10-12	18-20	3/4"	1.1/16-12	7/8-14	89	13	64	27
5205-12-10	14-16	5/8"	7/8-14	1.1/16-12	81	15	53	32
5205-12-12	18-20	3/4"	1.1/16-12	1.1/16-12	92	15	64	32
5205-16-12	18-20	3/4"	1.1/16-12	1.5/16-12	93	15	64	35
5205-16-16	25	1"	1.5/16-12	1.5/16-12	101	15	72	35
5205-20-20	30-32	1.1/4"	1.5/8-12	1.5/8-12	119	15	88	50
5205-24-24	38	1.1/2"	1.7/8-12	1.7/8-12	131	15	99	55

**5190**    **Коннектор 90° регулируемый JIC X UNF наружные резьбы**

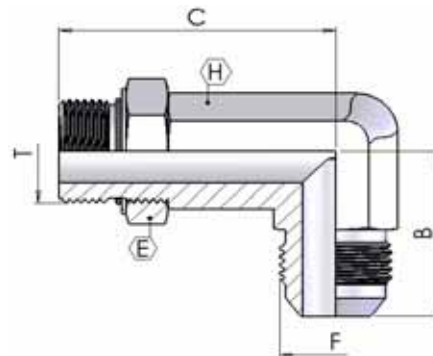
90° elbow "adjustable" connector JIC male X UNF straight thread male



part number	Ø tube		Dimensions					
	mm	inch	F	T	C	L	H	E
5190-04	6	1/4"	7/16" - 20	7/16" - 20	24	26	14	11
5190-05	8	5/16"	1/2" - 20	1/2" - 20	26	32	17	14
5190-06	10	3/8"	9/16" - 18	9/16" - 18	26	32	17	14
5190-08	12	1/2"	3/4" - 16	3/4" - 16	31	37	22	19
5190-10	16	5/8"	7/8" - 14	7/8" - 14	35	43	25	22
5190-12	20	3/4"	1.1/16" - 12	1.1/16" - 12	41	49	32	27
5190-16	25	1"	1.5/16" - 12	1.5/16" - 12	47	52	38	35
5190-20	32	1.1/4"	1.5/8" - 12	1.5/8" - 12	57	57	48	43

**5195**    **Коннектор регулируемый удлиненный JIC X UNF наружные**

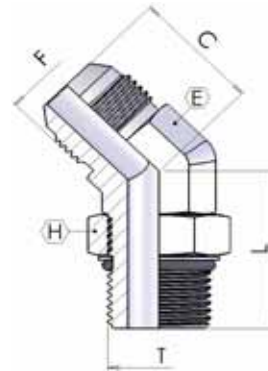
45° elbow "adjustable" connector JIC male X UNF straight thread male



part number	Ø tube		Dimensions					
	mm	inch	F	T	B	C	E	H
5195-04-04	6	1/4"	7/16-20	7/16-20	23	46	14	12
5195-05-05	8	5/16"	1/2-20	1/2-20	24	50	16	14
5195-06-06	10	3/8"	9/16-18	9/16-18	27	57	17	14
5195-08-06	10	3/8"	9/16-18	3/4-16	29	67	22	19
5195-08-08	12	1/2"	3/4-16	3/4-16	32	67	22	19
5195-08-10	14-16	5/8"	7/8-14	3/4-16	37	75	22	22
5195-10-08	12	1/2"	3/4-16	7/8-14	34	78	27	22
5195-10-10	14-16	5/8"	7/8-14	7/8-14	37	78	27	22
5195-10-12	18-20	3/4"	1.1/16-12	7/8-14	42	88	27	27
5195-12-10	14-16	5/8"	7/8-14	1.1/16-12	40	92	32	27
5195-12-12	18-20	3/4"	1.1/16-12	1.1/16-12	42	92	32	27
5195-16-12	18-20	3/4"	1.1/16-12	1.5/16-12	45	105	41	33
5195-16-16	25	1"	1.5/16-12	1.5/16-12	46	105	41	33
5195-20-20	30-32	1.1/4"	1.5/8-12	1.5/8-12	52	124	50	41
5195-24-24	38	1.1/2"	1.7/8-12	1.7/8-12	59	135	55	48

**5200**    **Коннектор 45° регулируемый JIC X UNF  
наружные резьбы**

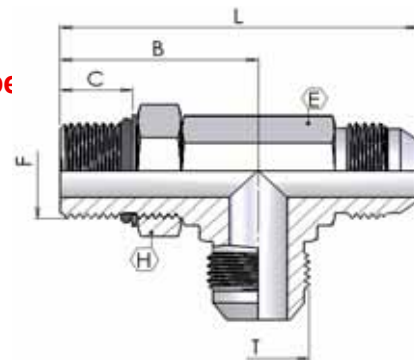
45° elbow "adjustable" connector JIC male X UNF  
straight thread male



part number	Ø tube		Dimensions					
	mm	inch	F	T	C	L	H	E
5200-04	6	1/4"	7/16" - 20	7/16" - 20	19	27	14	11
5200-05	8	5/16"	1/2" - 20	1/2" - 20	22	29	17	14
5200-06	10	3/8"	9/16" - 18	9/16" - 18	22	29	17	14
5200-08	12	1/2"	3/4" - 16	3/4" - 16	26	33	22	19
5200-10	16	5/8"	7/8" - 14	7/8" - 14	30	39	25	22
5200-12	20	3/4"	1.1/16" - 12	1.1/16" - 12	35	44	32	27
5200-16	25	1"	1.5/16" - 12	1.5/16" - 12	39	47	38	35
5200-20	32	1.1/4"	1.5/8" - 12	1.5/8" - 12	40	49	48	43

**5210**    **Тройник регулируемый UNF наружные ре**

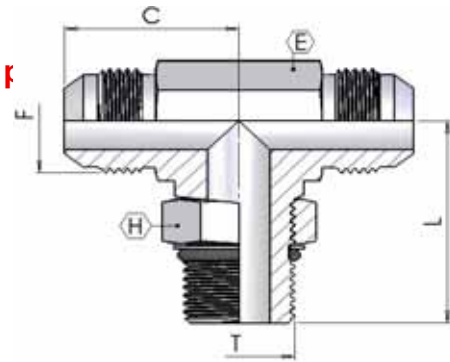
Adjustable UNF male run Tee



part number	Ø tube		Dimensions					
	mm	inch	F	T	C	L	B	E
5210-04	6	1/4"	7/16" - 20	7/16" - 20	10	49	26	11
5210-05	8	5/16"	1/2" - 20	1/2" - 20	11	52	28	13
5210-06	10	3/8"	9/16" - 18	9/16" - 18	11	59	32	14
5210-08	12	1/2"	3/4" - 16	3/4" - 16	13	69	37	19
5210-10	16	5/8"	7/8" - 14	7/8" - 14	14	80	43	22
5210-12	20	3/4"	1.1/16" - 12	1.1/16" - 12	17	91	49	27
5210-16	25	1"	1.5/16" - 12	1.5/16" - 12	17	98	52	33

## 5220 Тройник регулируемый UNF наружные ϕ

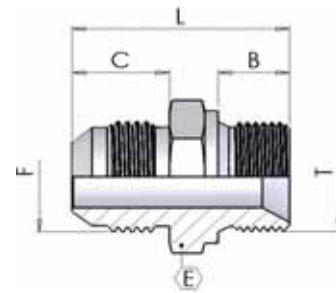
Adjustable UNF male branch Tee



part number	Ø tube		Dimensions					
	mm	inch	F	T	C	L	H	E
5220-04	6	1/4"	7/16" - 20	7/16" - 20	23	26	14	11
5220-05	8	5/16"	1/2" - 20	1/2" - 20	24	28	16	13
5220-06	10	3/8"	9/16" - 18	9/16" - 18	27	32	17	14
5220-08	12	1/2"	3/4" - 16	3/4" - 16	32	37	22	19
5220-10	16	5/8"	7/8" - 14	7/8" - 14	37	43	27	22
5220-12	20	3/4"	1.1/16" - 12	1.1/16" - 12	42	49	32	27
5220-16	25	1"	1.5/16" - 12	1.5/16" - 12	46	52	38	33

## 1905 Коннектор BSP X JIC наружные резьбы

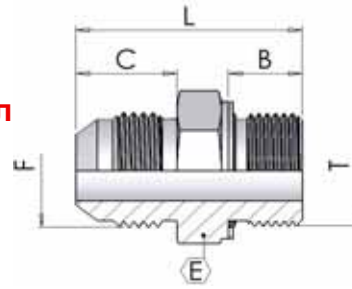
Connector BSP parallel thread male X JIC male



part number	Ø tube		Dimensions					
	mm	inch	F	T	C	L	B	E
1905-02-04	6	1/4"	7/16" - 20	1/8"	14	29	8	14
1905-04-04	6	1/4"	7/16" - 20	1/4"	14	34	12	19
1905-04-05	8	5/16"	1/2" - 20	1/4"	14	34	12	19
1905-04-06	10	3/8"	9/16" - 18	1/4"	14	34	12	19
1905-06-05	8	5/16"	1/2" - 20	3/8"	14	36	12	22
1905-06-06	10	3/8"	9/16" - 18	3/8"	14	36	12	22
1905-06-08	12	1/2"	3/4" - 16	3/8"	17	38	12	22
1905-06-10	14	5/8"	7/8" - 14	3/8"	19	42	12	24
1905-08-06	10	3/8"	9/16" - 18	1/2"	14	39	14	27
1905-08-08	12	1/2"	3/4" - 16	1/2"	17	42	14	27
1905-08-10	15	5/8"	7/8" - 14	1/2"	19	44	14	27
1905-08-12	20	3/4"	1.1/16" - 12	1/2"	22	47	14	27
1905-10-10	14	5/8"	7/8" - 14	5/8"	19	46	16	30
1905-10-12	14	5/8"	1.1/16" - 12	5/8"	22	49	16	30
1905-12-10	14	5/8"	7/8" - 14	3/4"	19	46	16	32
1905-12-12	20	3/4"	1.1/16" - 12	3/4"	22	49	16	32
1905-12-16	25	1"	1.5/16" - 12	3/4"	23	52	16	34
1905-16-12	20	3/4"	1.1/16" - 12	1"	22	52	18	41
1905-16-16	25	1"	1.5/16" - 12	1"	23	54	18	41
1905-16-20	32	1.1/4"	1.5/8" - 12	1"	24	57	18	42
1905-20-20	32	1.1/4"	1.5/8" - 12	1.1/4"	24	58	20	50
1905-24-20	32	1.1/4"	1.5/8" - 12	1.1/2"	24	59	22	55
1905-24-24	38	1.1/2"	1.7/8" - 12	1.1/2"	28	63	22	55

**1915 Коннектор наружные резьбы JIC/BSP упл**

Male Connector Jic/BSP O'Ring

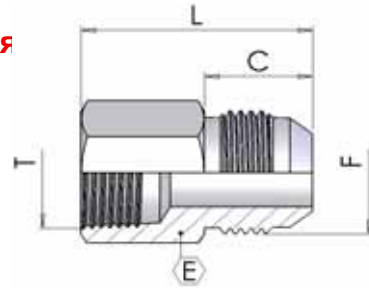


part number	Ø tube		Dimensions					
	mm	inch	F	T	L	B	C	E
1915-02-04	6	1/4"	7/16-20	1/8-28	29	8	14	14
1915-02-05	8	5/16"	1/2-20	1/8-28	29	8	14	16
1915-04-04	6	1/4"	7/16-20	1/4-19	35	12	14	19
1915-04-05	8	5/16"	1/2-20	1/4-19	35	12	14	19
1915-04-06	10	3/8"	9/16-18	1/4-19	35	12	14	19
1915-04-08	12	1/2"	3/4-16	1/4-19	38	12	17	22
1915-06-04	6	1/4"	7/16-20	3/8-19	35	12	14	24
1915-06-05	8	5/16"	1/2-20	3/8-19	35	12	14	24
1915-06-06	10	3/8"	9/16-18	3/8-19	35	12	14	24
1915-06-08	12	1/2"	3/4-16	3/8-19	38	12	17	24
1915-06-10	14-16	5/8"	7/8-14	3/8-19	41	12	20	24
1915-08-06	10	3/8"	9/16-18	1/2-14	38	14	14	27
1915-08-08	12	1/2"	3/4-16	1/2-14	41	14	17	27
1915-08-10	14-16	5/8"	7/8-14	1/2-14	44	14	20	27
1915-08-12	18-20	3/4"	1.1/16-12	1/2-14	47	14	22	27
1915-12-08	12	1/2"	3/4-16	3/4-11	45	16	17	36
1915-12-10	14-16	5/8"	7/8-14	3/4-11	48	16	20	36
1915-12-12	18-20	3/4"	1.1/16-12	3/4-11	50	16	22	36
1915-12-16	25	1"	1.5/16-12	3/4-11	51	16	23	36
1915-16-12	18-20	3/4"	1.1/16-12	1-11	53	18	22	41
1915-16-16	25	1"	1.5/16-12	1-11	54	18	23	41
1915-16-20	30-32	1.1/4"	1.5/8-12	1-11	56	18	25	42
1915-20-16	25	1"	1.5/16-12	1.1/4-11	57	20	23	50
1915-20-20	30-32	1.1/4"	1.5/8-12	1.1/4-11	59	20	25	50
1915-24-24	38	1.1/2"	1.7/8-12	1.1/2-11	66	22	28	60



### 5185 **Коннектор BSP внутренняя X JIC наружная**

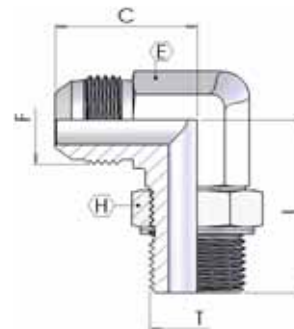
Connector BSP female X JIC male



part number	Ø tube		Dimensions					
	mm	inch	F	T	C	L	E	
5185-02-04	6	1/4"	7/16-20	1/8-28	14	28	19	
5185-02-05	8	5/16"	1/2-20	1/8-28	14	28	19	
5185-04-04	6	1/4"	7/16-20	1/4-19	14	31	19	
5185-04-05	8	5/16"	1/2-20	1/4-19	14	31	19	
5185-04-06	10	3/8"	9/16-18	1/4-19	14	31	22	
5185-04-08	12	1/2"	3/4-16	1/4-19	17	36	27	
5185-06-06	10	3/8"	9/16-18	3/8-19	14	36	22	
5185-06-08	12	1/2"	3/4-16	3/8-19	17	36	27	
5185-08-06	10	3/8"	9/16-18	1/2-14	14	41	22	
5185-08-08	12	1/2"	3/4-16	1/2-14	17	41	27	
5185-08-10	16	5/8"	7/8-14	1/2-14	20	42	32	
5185-08-12	20	3/4"	1.1/16-12	1/2-14	22	45	32	
5185-12-12	20	3/4"	1.1/16-12	3/4-11	22	48	32	
5185-16-16	25	1"	1.5/16-12	1-11	23	55	41	

### 5230 **Коннектор 90° регулируемый JIC X BSP наружные резьбы**

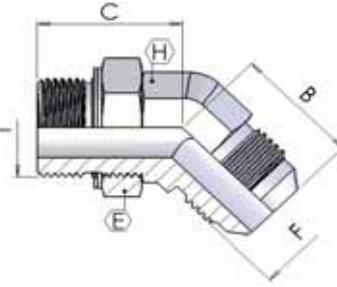
90° elbow "adjustable" connector JIC male X BSP straight thread male



part number	Ø tube		Dimensions						
	mm	inch	F	T	C	L	H	E	
5230-02-04	6	1/4"	7/16" - 20	1/8"	23	26	11	11	
5230-04-04	6	1/4"	7/16" - 20	1/4"	24	32	14	14	
5230-04-05	8	5/16"	1/2" - 20	1/4"	24	33	14	14	
5230-04-06	10	3/8"	9/16" - 18	1/4"	27	32	14	14	
5230-06-06	10	3/8"	9/16" - 18	3/8"	29	37	19	19	
5230-06-08	12	1/2"	3/4" - 16	3/8"	32	37	19	19	
5230-06-10	14	5/8"	7/8" - 14	3/8"	37	43	22	22	
5230-08-08	12	1/2"	3/4" - 16	1/2"	34	43	22	22	
5230-08-10	15	5/8"	7/8" - 14	1/2"	37	43	22	22	
5230-08-12	20	3/4"	1.1/16" - 12	1/2"	42	47	27	27	
5230-12-10	16	5/8"	7/8" - 14	3/4"	37	50	36	27	
5230-12-12	20	3/4"	1.1/16" - 12	3/4"	42	50	36	27	
5230-16-16	25	1"	1.5/16" - 12	1"	46	52	41	33	
5230-20-20	32	1.1/4"	1.5/8" - 12	1.1/4"	52	57	50	41	
5230-24-24	38	1.1/2"	1.7/8" - 12	1.1/2"	59	61	55	48	

**5235 Коннектор 45° регулируемый JIC X BSP на**

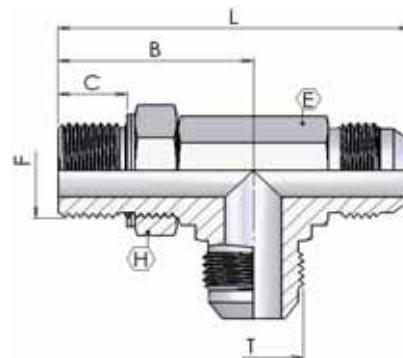
Adjustable BSP male run Tee



part number	Ø tube		Dimensions					
	mm	inch	F	T	B	C	H	E
5235-02-04	6	1/4"	7/16-20	1/8-28	19	27	14	12
5235-02-05	8	5/16"	1/2-20	1/8-28	20	27	14	14
5235-04-04	6	1/4"	7/16-20	1/4-19	21	29	19	14
5235-04-05	8	5/16"	1/2-20	1/4-19	21	29	19	14
5235-04-06	10	3/8"	9/16-18	1/4-19	21	29	19	14
5235-04-08	12	1/2"	3/4-16	1/4-19	25	30	19	19
5235-06-04	6	1/4"	7/16-20	3/8-19	21	33	24	19
5235-06-05	8	5/16"	1/2-20	3/8-19	21	33	24	19
5235-06-06	10	3/8"	9/16-18	3/8-19	22	33	24	19
5235-06-08	12	1/2"	3/4-16	3/8-19	25	33	24	19
5235-06-10	14-16	5/8"	7/8-14	3/8-19	28	35	24	22
5235-08-06	10	3/8"	9/16-18	1/2-14	23	39	27	22
5235-08-08	12	1/2"	3/4-16	1/2-14	25	39	27	22
5235-08-10	14-16	5/8"	7/8-14	1/2-14	28	39	27	22
5235-08-12	18-20	3/4"	1.1/16-12	1/2-14	33	41	27	27
5235-12-08	12	1/2"	3/4-16	3/4-11	28	44	36	27
5235-12-10	14-16	5/8"	7/8-14	3/4-11	30	44	36	27
5235-12-12	18-20	3/4"	1.1/16-12	3/4-11	33	44	36	27
5235-12-16	25	1"	1.5/16-12	3/4-11	37	47	36	33
5235-16-12	18-20	3/4"	1.1/16-12	1-11	36	47	41	33
5235-16-16	25	1"	1.5/16-12	1-11	37	47	41	33
5235-16-20	30-32	1.1/4"	1.5/8-12	1-11	41	49	41	41
5235-20-16	25	1"	1.5/16-12	1.1/4-11	39	49	50	41
5235-20-20	30-32	1.1/4"	1.5/8-12	1.1/4-11	41	49	50	41
5235-24-24	38	1.1/2"	1.7/8-12	1.1/2-11	45	49	60	48

**5240 Тройник регулируемый BSP**

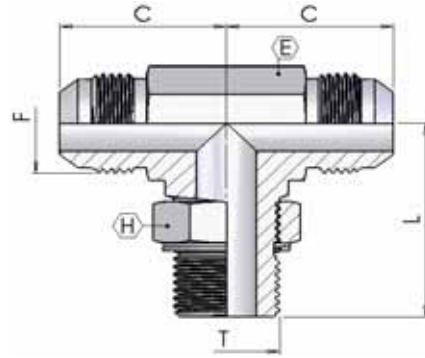
Adjustable BSP male run Tee



part number	Ø tube		Dimensions					
	mm	inch	T	F	C	L	B	E
5240-02-04	6	1/4"	7/16" - 20	1/8"	6	49	26	11
5240-04-05	8	5/16"	1/2" - 20	1/4"	11	56	32	14
5240-04-06	10	3/8"	9/16" - 18	1/4"	11	59	32	14
5240-06-06	10	3/8"	9/16" - 18	3/8"	11	64	37	19
5240-06-08	12	1/2"	3/4" - 16	3/8"	11	69	37	19
5240-08-10	16	5/8"	7/8" - 14	1/2"	13	80	43	22
5240-12-10	14-16	5/8"	7/8" - 14	3/4"	13	88	49,3	27
5240-12-12	20	3/4"	1.1/16" - 12	3/4"	13	92	50	27
5240-16-16	25	1"	1.5/16" - 12	1"	16	98	52	33

## 5250 **Тройник регулируемый BSP**

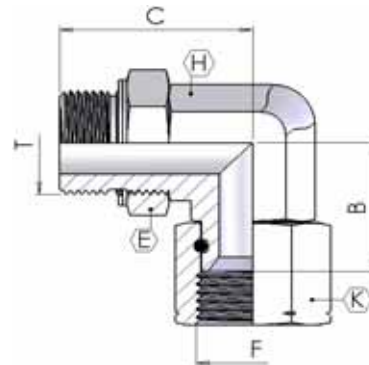
Adjustable BSP male branch Tee



part number	Ø tube		Dimensions					
	mm	inch	F	T	C	L	H	E
5250-02-04	6	1/4"	7/16" - 20	1/8"	23	26	14	11
5250-04-05	8	5/16"	1/2" - 20	1/4"	24	32	19	14
5250-04-06	10	3/8"	9/16" - 18	1/4"	27	32	19	14
5250-06-06	10	3/8"	9/16" - 18	3/8"	27	37	22	19
5250-06-08	12	1/2"	3/4" - 16	3/8"	32	37	22	19
5250-08-08	12	1/2"	3/4" - 16	1/2"	34	43	27	22
5250-08-10	16	5/8"	7/8" - 14	1/2"	37	43	27	22
5250-12-12	20	3/4"	1.1/16" - 12	3/4"	42	50	36	27
5250-16-16	25	1"	1.5/16" - 12	1"	46	52	41	33

## 5255 **Регулируемый адаптер, накидная гайка JIC/BSP**

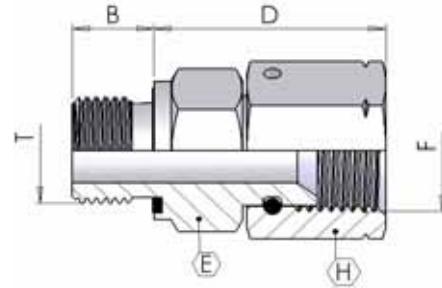
Adjustable Elbow with Swivel Nut JIC/BSP



part number	Ø tube		Dimensions						
	mm	inch	F	T	B	C	E	H	K
5255-02-04	6	1/4"	7/16-20	1/8-28	18	26	14	12	17
5255-04-04	6	1/4"	7/16-20	1/4-19	18	32	19	14	17
5255-04-05	8	5/16"	1/2-20	1/4-19	19	32	19	14	17
5255-04-06	10	3/8"	9/16-18	1/4-19	23	32	19	14	19
5255-04-08	12	1/2"	3/4-16	1/4-19	24	35	19	19	24
5255-06-05	8	5/16"	1/2-20	3/8-19	22	37	22	19	17
5255-06-06	10	3/8"	9/16-18	3/8-19	23	37	22	19	19
5255-06-08	12	1/2"	3/4-16	3/8-19	25	37	22	19	24
5255-06-10	14-16	5/8"	7/8-14	3/8-19	26	40	22	22	27
5255-08-08	12	1/2"	3/4-16	1/2-14	27	43	27	22	24
5255-08-10	14-16	5/8"	7/8-14	1/2-14	29	43	27	22	27
5255-08-12	18-20	3/4"	1.1/16-12	1/2-14	31	46	27	27	32
5255-12-10	14-16	5/8"	7/8-14	3/4-11	29	55	36	27	27
5255-12-12	18-20	3/4"	1.1/16-12	3/4-11	31	55	36	27	32
5255-12-16	25	1"	1.5/16-12	3/4-11	36	58	36	33	41
5255-16-12	18-20	3/4"	1.1/16-12	1-11	36	60	41	33	32
5255-16-16	25	1"	1.5/16-12	1-11	38	60	41	33	41
5255-20-20	30-32	1.1/4"	1.5/8-12	1.1/4-11	46	62	50	42	50
5255-24-24	38	1.1/2"	1.7/8-12	1.1/2-11	53	65	55	48	55

**5036    Адаптер накладная гайка JIC X BSP  
наружная резьба с уплотнением ED  
(DIN 3852 форма E)**

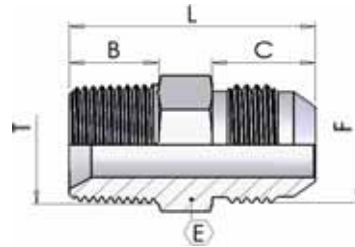
Connector swivel JIC female X BSP male with "ED"  
seal (DIN 3852 form E)



part number	Ø tube		Dimensions						
	mm	inch	F	T	B	D	H	E	
5036-02-04	6	1/4"	7/16"-20	1/8"	8	26	14	14	
5036-02-05	8	5/16"	1/2"-20	1/8"	8	28	17	14	
5036-04-04	6	1/4"	7/16"-20	1/4"	12	26	14	19	
5036-04-05	8	5/16"	1/2"-20	1/4"	12	27	17	19	
5036-04-06	10	3/8"	9/16"-18	1/4"	12	28	19	19	
5036-04-08	12	1/2"	3/4"-16	1/4"	12	30	22	19	
5036-06-04	6	1/4"	7/16"-20	3/8"	12	28	14	22	
5036-06-05	8	5/16"	1/2"-20	3/8"	12	29	17	22	
5036-06-06	10	3/8"	9/16"-18	3/8"	12	30	19	22	
5036-06-08	12	1/2"	3/4"-16	3/8"	12	32	22	22	
5036-06-10	16	5/8"	7/8"-14	3/8"	12	36	27	22	
5036-08-06	10	3/8"	9/16"-18	1/2"	14	31	19	27	
5036-08-08	12	1/2"	3/4"-16	1/2"	14	34	22	27	
5036-08-10	16	5/8"	7/8"-14	1/2"	14	38	27	27	
5036-08-12	20	3/4"	1.1/16"-12	1/2"	14	38	32	27	
5036-12-10	16	5/8"	7/8"-14	3/4"	16	39	27	32	
5036-12-12	20	3/4"	1.1/16"-12	3/4"	16	39	32	32	
5036-12-16	25	1"	1.5/16"-12	3/4"	16	43	41	32	
5036-16-12	20	3/4"	1.1/16"-12	1"	18	41	32	41	
5036-16-16	25	1"	1.5/16"-12	1"	18	44	41	41	
5036-16-20	32	1.1/4"	1.5/8"-12	1"	18	45	50	41	
5036-20-16	25	1"	1.5/16"-12	1.1/4"	20	47	41	50	
5036-20-20	32	1.1/4"	1.5/8"-12	1.1/4"	20	47	50	50	
5036-20-24	32	1.1/4"	1.7/8"-12	1.1/4"	20	54	60	50	
5036-24-24	38	1.1/2"	1.7/8"-12	1.1/2"	22	55	60	55	

## 1903 Коннектор наружные резьбы JIC/BSPT

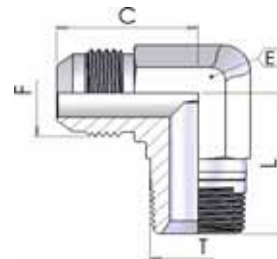
Male Connector Jic/BSPT



part number	Ø tube		Dimensions					
	mm	inch	F	T	L	B	C	E
1903-02-04	6	1/4"	7/16-20	1/8-28	31	10	14	13
1903-02-05	8	5/16"	1/2-20	1/8-28	31	10	14	14
1903-04-04	6	1/4"	7/16-20	1/4-19	36	15	14	14
1903-04-05	8	5/16"	1/2-20	1/4-19	36	15	14	14
1903-04-06	10	3/8"	9/16-18	1/4-19	36	15	14	16
1903-04-08	12	1/2"	3/4-16	1/4-19	39	15	17	19
1903-06-06	10	3/8"	9/16-18	3/8-19	36	15	14	19
1903-06-08	12	1/2"	3/4-16	3/8-19	39	15	17	19
1903-06-10	14-16	5/8"	7/8-14	3/8-19	44	15	20	24
1903-08-08	12	1/2"	3/4-16	1/2-14	36	19	17	22
1903-08-10	14-16	5/8"	7/8-14	1/2-14	48	19	20	24
1903-08-12	18-20	3/4"	1.1/16-12	1/2-14	53	19	22	27
1903-12-10	14-16	5/8"	7/8-14	3/4-11	50	19	20	27
1903-12-12	18-20	3/4"	1.1/16-12	3/4-11	53	19	22	27
1903-12-16	25	1"	1.5/16-12	3/4-11	54	19	23	36
1903-16-12	18-20	3/4"	1.1/16-12	1-11	58	24	22	36
1903-16-16	25	1"	1.5/16-12	1-11	59	24	23	36
1903-16-20	30-32	1.1/4"	1.5/8-12	1-11	62	24	25	42
1903-20-20	30-32	1.1/4"	1.5/8-12	1.1/4-11	62	25	25	46
1903-20-24	38	1.1/2"	1.7/8-12	1.1/4-11	67	25	28	50
1903-24-24	38	1.1/2"	1.7/8-12	1.1/2-11	68	25	28	50

## 5165 Адаптер 90° JIC/BSPT

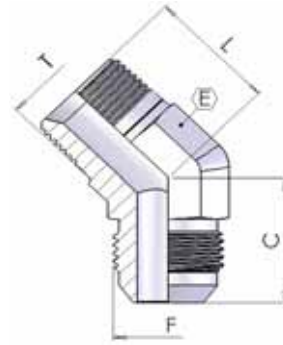
Male 90° Elbow Jic/BSPT



part number	Ø tube		Dimensions				
	mm	inch	F	T	L	C	E
5165-02-04	6	1/4"	7/16"-20	1/8-28	20	23	12
5165-02-05	8	5/16"	1/2"-20	1/8-28	20	24	14
5165-04-04	6	1/4"	7/16"-20	1/4-19	28	27	14
5165-04-05	8	5/16"	1/2"-20	1/4-19	28	27	14
5165-04-06	10	3/8"	9/16"-18	1/4-19	28	27	14
5165-04-08	12	1/2"	3/4"-16	1/4-19	31	32	19
5165-06-06	10	3/8"	9/16"-18	3/8-19	31	29	14
5165-06-08	12	1/2"	3/4"-16	3/8-19	31	32	19
5165-06-10	14-16	5/8"	7/8"-14	3/8-19	33	37	22
5165-08-08	12	1/2"	3/4"-16	1/2-14	38	34	22
5165-08-10	14-16	5/8"	7/8"-14	1/2-14	38	37	22
5165-08-12	18-20	3/4"	1.1/16"-12	1/2-14	41	42	27
5165-12-10	14-16	5/8"	7/8"-14	3/4-11	41	40	27
5165-12-12	18-20	3/4"	1.1/16"-12	3/4-11	41	42	27
5165-12-16	25	1"	1.5/16"-12	3/4-11	45	46	33
5165-16-12	18-20	3/4"	1.1/16"-12	1-11	50	45	33
5165-16-16	25	1"	1.5/16"-12	1-11	50	46	33
5165-16-20	30-32	1.1/4"	1.5/8"-12	1-11	60	52	41
5165-20-20	30-32	1.1/4"	1.5/8"-12	1.1/4-11	61	52	41
5165-20-24	38	1.1/2"	1.7/8"-12	1.1/4-11	66	59	48
5165-24-24	38	1.1/2"	1.7/8"-12	1.1/2-11	67	59	48

**5265**    **Коннектор 45° наружные резьбы JIC/B**

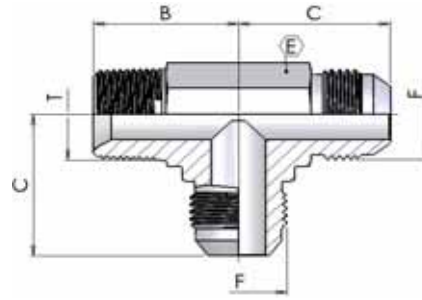
Male 45° Elbow Jic/BSPT



part number	Ø tube		Dimensions					
	mm	inch	F	T	L	C	E	
5265-02-04	6	1/4"	7/16-20	1/8-28	17	19	12	
5265-02-05	8	5/16"	1/2-20	1/8-28	17	20	14	
5265-04-04	6	1/4"	7/16-20	1/4-19	22	21	14	
5265-04-05	8	5/16"	1/2-20	1/4-19	22	21	14	
5265-04-06	10	3/8"	9/16-18	1/4-19	22	21	14	
5265-04-08	12	1/2"	3/4-16	1/4-19	24	25	19	
5265-06-06	10	3/8"	9/16-18	3/8-19	24	22	14	
5265-06-08	12	1/2"	3/4-16	3/8-19	24	25	19	
5265-06-10	14-16	5/8"	7/8-14	3/8-19	25	28	22	
5265-08-08	12	1/2"	3/4-16	1/2-14	30	25	22	
5265-08-10	14-16	5/8"	7/8-14	1/2-14	30	28	22	
5265-08-12	18-20	3/4"	1.1/16-12	1/2-14	31	33	27	
5265-12-10	14-16	5/8"	7/8-14	3/4-11	31	30	27	
5265-12-12	18-20	3/4"	1.1/16-12	3/4-11	31	33	27	
5265-12-16	25	1"	1.5/16-12	3/4-11	33	37	33	
5265-16-12	18-20	3/4"	1.1/16-12	1-11	38	36	33	
5265-16-16	25	1"	1.5/16-12	1-11	38	37	33	
5265-16-20	30-32	1.1/4"	1.5/8-12	1-11	42	41	41	
5265-20-20	30-32	1.1/4"	1.5/8-12	1.1/4-11	43	41	41	
5265-20-24	38	1.1/2"	1.7/8-12	1.1/4-11	44	45	48	
5265-24-24	38	1.1/2"	1.7/8-12	1.1/2-11	45	45	48	

**5275**    **Тройник наружные резьбы  
JIC/BSPT**

Run Tee Jic/BSPT

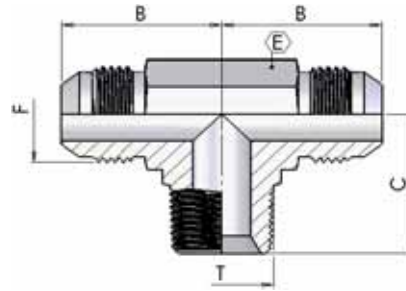


part number	Ø tube		Dimensions					
	mm	inch	F	T	B	C	E	
5275-02-04	6	1/4"	7/16-20	1/8	23	20	12	
5275-02-05	8	5/16"	1/2-20	1/8	24	20	14	
5275-04-04	6	1/4"	7/16-20	1/4	27	28	14	
5275-04-05	8	5/16"	1/2-20	1/4	27	28	14	
5275-04-06	10	3/8"	9/16-18	1/4	27	28	14	
5275-04-08	12	1/2"	3/4-16	1/4	32	31	19	
5275-06-06	10	3/8"	9/16-18	3/8	29	31	14	
5275-06-08	12	1/2"	3/4-16	3/8	32	31	19	
5275-06-10	14-16	5/8"	7/8-14	3/8	37	33	22	
5275-08-08	12	1/2"	3/4-16	1/2	34	38	22	
5275-08-10	14-16	5/8"	7/8-14	1/2	37	38	22	
5275-08-12	18-20	3/4"	1.1/16-12	1/2	42	41	27	
5275-12-10	14-16	5/8"	7/8-14	3/4	40	41	27	
5275-12-12	18-20	3/4"	1.1/16-12	3/4	42	41	27	
5275-12-16	25	1"	1.5/16-12	3/4	46	45	33	
5275-16-12	18-20	3/4"	1.1/16-12	1	45	50	33	
5275-16-16	25	1"	1.5/16-12	1	46	50	33	
5275-16-20	30-32	1.1/4"	1.5/8-12	1	52	60	41	
5275-20-20	30-32	1.1/4"	1.5/8-12	1.1/4	52	61	41	
5275-20-24	38	1.1/2"	1.7/8-12	1.1/4	59	66	48	
5275-24-24	38	1.1/2"	1.7/8-12	1.1/2	59	67	48	



**5280**    **Тройник наружные резьбы  
JIC/BSPT**

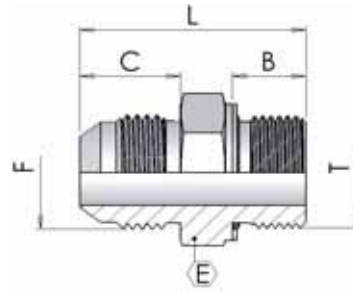
Branch Tee Jic/BSPT



part number	Ø tube		Dimensions					
	mm	inch	F	T	B	C	E	
5280-02-04	6	1/4"	7/16-20	1/8	23	20	12	
5280-02-05	8	5/16"	1/2-20	1/8	24	20	14	
5280-04-04	6	1/4"	7/16-20	1/4	27	28	14	
5280-04-05	8	5/16"	1/2-20	1/4	27	28	14	
5280-04-06	10	3/8"	9/16-18	1/4	27	28	14	
5280-04-08	12	1/2"	3/4-16	1/4	32	31	19	
5280-06-06	10	3/8"	9/16-18	3/8	29	31	14	
5280-06-08	12	1/2"	3/4-16	3/8	32	31	19	
5280-06-10	14-16	5/8"	7/8-14	3/8	37	33	22	
5280-08-08	12	1/2"	3/4-16	1/2	34	38	22	
5280-08-10	14-16	5/8"	7/8-14	1/2	37	38	22	
5280-08-12	18-20	3/4"	1.1/16-12	1/2	42	41	27	
5280-12-10	14-16	5/8"	7/8-14	3/4	40	41	27	
5280-12-12	18-20	3/4"	1.1/16-12	3/4	42	41	27	
5280-12-16	25	1"	1.5/16-12	3/4	46	45	33	
5280-16-12	18-20	3/4"	1.1/16-12	1	45	50	33	
5280-16-16	25	1"	1.5/16-12	1	46	50	33	
5280-16-20	30-32	1.1/4"	1.5/8-12	1	52	60	41	
5280-20-20	30-32	1.1/4"	1.5/8-12	1.1/4	52	61	41	
5280-20-24	38	1.1/2"	1.7/8-12	1.1/4	59	66	48	
5280-24-24	38	1.1/2"	1.7/8-12	1.1/2	59	67	48	

**1777 Коннектор наружные резьбы JIC/метр**

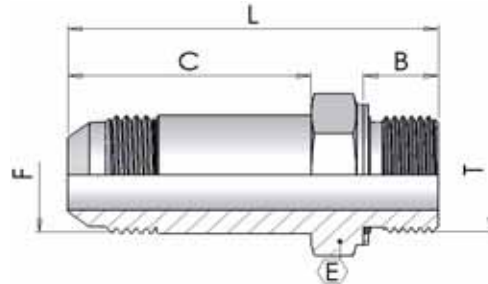
Male Connector Jic/Metric DIN 3852-1



part number	Ø tube		Dimensions					
	mm	inch	F	T	L	B	C	E
1777-10-04	6	1/4"	7/16-20	M10x1	30	9	14	16
1777-10-05	8	5/16"	1/2-20	M10x1	30	9	14	16
1777-12-04	6	1/4"	7/16-20	M12x1,5	33	12	14	17
1777-12-05	8	5/16"	1/2-20	M12x1,5	33	12	14	17
1777-14-06	10	3/8"	9/16-18	M14x1,5	34	12	14	19
1777-16-06	10	3/8"	9/16-18	M16x1,5	35	13	14	22
1777-16-08	12	1/2"	3/4-16	M16x1,5	38	13	17	22
1777-18-08	12	1/2"	3/4-16	M18x1,5	40	14	17	24
1777-18-10	14-16	5/8"	7/8-14	M18x1,5	42	14	20	24
1777-22-10	14-16	5/8"	7/8-14	M22x1,5	45	15	20	30
1777-22-12	18-20	3/4"	1.1/16-12	M22x1,5	48	15	22	30
1777-27-12	18-20	3/4"	1.1/16-12	M27x2	53	19	22	36
1777-27-16	25	1"	1.5/16-12	M27x2	54	19	23	36
1777-33-16	25	1"	1.5/16-12	M33x2	54	19	23	41
1777-42-20	30	1.1/4"	1.5/8-12	M42x2	58	20	25	50
1777-48-24	38	1.1/2"	1.7/8-12	M48x2	65	22	28	60

**5395 Коннектор наружные резьбы, удлиненный JIC/метрика DIN 3852-2**

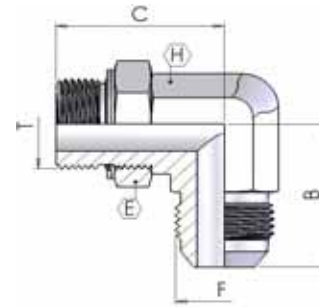
Long Male Connector Jic/Metric DIN 3852-1



part number	Ø tube		Dimensions					
	mm	inch	F	T	L	B	C	E
5395-10-04	6	1/4"	7/16-20	M10x1	52	9	36	16
5395-10-05	8	5/16"	1/2-20	M10x1	53	9	37	16
5395-12-04	6	1/4"	7/16-20	M12x1,5	54	12	36	17
5395-12-05	8	5/16"	1/2-20	M12x1,5	56	12	37	17
5395-14-06	10	3/8"	9/16-18	M14x1,5	59	12	40	19
5395-16-06	10	3/8"	9/16-18	M16x1,5	60	13	40	22
5395-16-08	12	1/2"	3/4-16	M16x1,5	69	13	48	22
5395-18-08	12	1/2"	3/4-16	M18x1,5	71	14	48	24
5395-18-10	14-16	5/8"	7/8-14	M18x1,5	76	14	53	24
5395-22-10	14-16	5/8"	7/8-14	M22x1,5	78	15	53	30
5395-22-12	18-20	3/4"	1.1/16-12	M22x1,5	90	15	64	30
5395-27-12	18-20	3/4"	1.1/16-12	M27x2	94	19	64	36
5395-27-16	25	1"	1.5/16-12	M27x2	103	19	72	36
5395-33-16	25	1"	1.5/16-12	M33x2	103	19	72	41
5395-42-20	30	1.1/4"	1.5/8-12	M42x2	122	20	88	50
5395-48-24	38	1.1/2"	1.7/8-12	M48x2	136	22	99	60

**5400**    **Коннектор 90° регулируемый,  
наружные резьбы  
JIC/метрика DIN 3852-1**

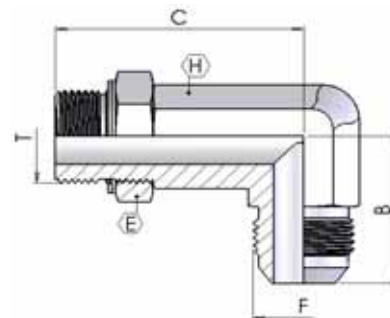
Adjustable Elbow JIC/Metric DIN 3852-1



part number	Ø tube		Dimensions					
	mm	inch	F	T	B	C	H	E
5400-10-04	6	1/4"	7/16-20	M10x1	23	27	12	14
5400-10-05	8	5/16"	1/2-20	M10x1	24	27	14	14
5400-12-04	6	1/4"	7/16-20	M12x1,5	27	32	14	17
5400-12-05	8	5/16"	1/2-20	M12x1,5	27	32	14	17
5400-14-06	10	3/8"	9/16-18	M14x1,5	27	32	14	19
5400-16-06	10	3/8"	9/16-18	M16x1,5	29	38	19	22
5400-16-08	12	1/2"	3/4-16	M16x1,5	32	38	19	22
5400-18-08	12	1/2"	3/4-16	M18x1,5	32	40	19	24
5400-18-10	14-16	5/8"	7/8-14	M18x1,5	37	41	22	24
5400-22-10	14-16	5/8"	7/8-14	M22x1,5	37	43	22	27
5400-22-12	18-20	3/4"	1.1/16-12	M22x1,5	42	45	27	27
5400-27-12	18-20	3/4"	1.1/16-12	M27x2	42	52	27	36
5400-27-16	25	1"	1.5/16-12	M27x2	46	52	33	36
5400-33-16	25	1"	1.5/16-12	M33x2	46	53	33	41
5400-42-20	30	1.1/4"	1.5/8-12	M42x2	52	58	41	50
5400-48-24	38	1.1/2"	1.7/8-12	M48x2	59	67	48	60

**5405**    **Коннектор 90° регулируемый  
наружные резьбы,  
удлинненный JIC/метрика DIN**

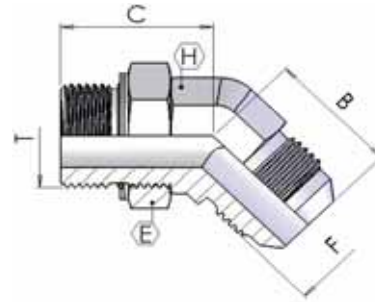
Long Adjustable Elbow JIC/Metric DIN 3852-1



part number	Ø tube		Dimensions					
	mm	inch	F	T	B	C	H	E
5405-10-04	6	1/4"	7/16-20	M10x1	23	46	12	14
5405-10-05	8	5/16"	1/2-20	M10x1	24	50	14	14
5405-12-04	6	1/4"	7/16-20	M12x1,5	27	54	14	17
5405-12-05	8	5/16"	1/2-20	M12x1,5	27	54	14	17
5405-14-06	10	3/8"	9/16-18	M14x1,5	27	57	14	19
5405-16-06	10	3/8"	9/16-18	M16x1,5	29	67	19	22
5405-16-08	12	1/2"	3/4-16	M16x1,5	32	67	19	22
5405-18-08	12	1/2"	3/4-16	M18x1,5	32	67	19	24
5405-18-10	14-16	5/8"	7/8-14	M18x1,5	37	75	22	24
5405-22-10	14-16	5/8"	7/8-14	M22x1,5	37	78	22	27
5405-22-12	18-20	3/4"	1.1/16-12	M22x1,5	42	88	27	27
5405-27-12	18-20	3/4"	1.1/16-12	M27x2	42	95	27	36
5405-27-16	25	1"	1.5/16-12	M27x2	46	105	33	36
5405-33-16	25	1"	1.5/16-12	M33x2	46	105	33	41
5405-42-20	30	1.1/4"	1.5/8-12	M42x2	52	124	41	50
5405-48-24	38	1.1/2"	1.7/8-12	M48x2	59	141	48	60

**5410**    **Коннектор 45° регулируемый  
наружные резьбы  
JIC/метрика DIN 3852-3**

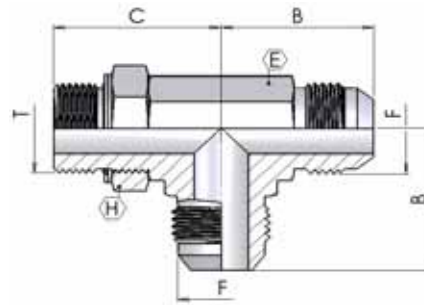
Adjustable 45° Elbow JIC/Metric DIN 3852-1



part number	Ø tube		Dimensions						
	mm	inch	F	T	B	C	H	E	
5410-10-04	6	1/4"	7/16-20	M10x1	19	27	12	14	
5410-10-05	8	5/16"	1/2-20	M10x1	20	27	14	14	
5410-12-04	6	1/4"	7/16-20	M12x1,5	21	29	14	17	
5410-12-05	8	5/16"	1/2-20	M12x1,5	21	29	14	19	
5410-14-06	10	3/8"	9/16-18	M14x1,5	21	29	14	17	
5410-16-06	10	3/8"	9/16-18	M16x1,5	22	33	19	22	
5410-16-08	12	1/2"	3/4-16	M16x1,5	25	33	19	22	
5410-18-08	12	1/2"	3/4-16	M18x1,5	25	33	19	24	
5410-18-10	14-16	5/8"	7/8-14	M18x1,5	28	35	22	24	
5410-22-10	14-16	5/8"	7/8-14	M22x1,5	28	38	22	27	
5410-22-12	18-20	3/4"	1.1/16-12	M22x1,5	33	41	27	27	
5410-27-12	18-20	3/4"	1.1/16-12	M27x2	33	44	27	36	
5410-27-16	25	1"	1.5/16-12	M27x2	37	46	33	36	
5410-33-16	25	1"	1.5/16-12	M33x2	37	47	33	41	
5410-42-20	30	1.1/4"	1.5/8-12	M42x2	41	49	41	50	
5410-48-24	38	1.1/2"	1.7/8-12	M48x2	45	53	48	60	

### 5420 Регулируемый тройник метрика DIN 3852-1/JIC

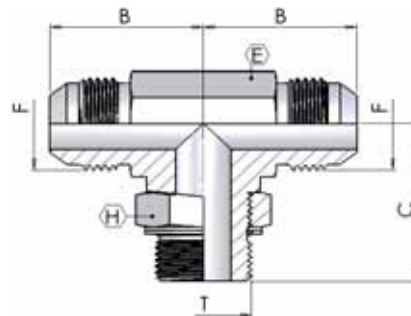
Adjustable Run Tee Metric DIN 3852-1/JIC



part number	Ø tube		Dimensions					
	mm	inch	F	T	B	C	H	E
5420-10-04	6	1/4"	7/16-20	M10x1	23	27	12	14
5420-10-05	8	5/16"	1/2-20	M10x1	24	27	14	14
5420-12-04	6	1/4"	7/16-20	M12x1,5	27	32	14	17
5420-12-05	8	5/16"	1/2-20	M12x1,5	27	32	14	19
5420-14-06	10	3/8"	9/16-18	M14x1,5	27	32	14	17
5420-16-06	10	3/8"	9/16-18	M16x1,5	29	38	19	22
5420-16-08	12	1/2"	3/4-16	M16x1,5	32	38	19	22
5420-18-08	12	1/2"	3/4-16	M18x1,5	32	40	19	24
5420-18-10	14-16	5/8"	7/8-14	M18x1,5	37	41	22	24
5420-22-10	14-16	5/8"	7/8-14	M22x1,5	37	43	22	27
5420-22-12	18-20	3/4"	1.1/16-12	M22x1,5	42	45	27	27
5420-27-12	18-20	3/4"	1.1/16-12	M27x2	42	52	27	36
5420-27-16	25	1"	1.5/16-12	M27x2	46	52	33	36
5420-33-16	25	1"	1.5/16-12	M33x2	46	53	33	41
5420-42-20	30	1.1/4"	1.5/8-12	M42x2	52	58	41	50
5420-48-24	38	1.1/2"	1.7/8-12	M48x2	59	67	48	60

### 5425 Регулируемый тройник метрика DIN 3852-1/JIC

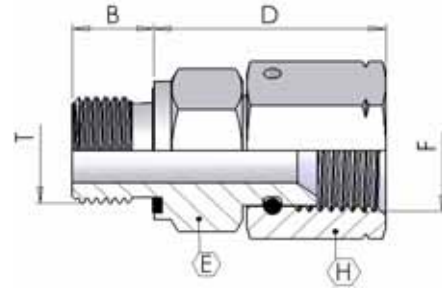
Adjustable Branch Tee Metric DIN 3852-1/JIC



part number	Ø tube		Dimensions					
	mm	inch	F	T	B	C	H	E
5425-10-04	6	1/4"	7/16-20	M10x1	23	27	12	14
5425-10-05	8	5/16"	1/2-20	M10x1	24	27	14	14
5425-12-04	6	1/4"	7/16-20	M12x1,5	27	32	14	17
5425-12-05	8	5/16"	1/2-20	M12x1,5	27	32	14	19
5425-14-06	10	3/8"	9/16-18	M14x1,5	27	32	14	17
5425-16-06	10	3/8"	9/16-18	M16x1,5	29	38	19	22
5425-16-08	12	1/2"	3/4-16	M16x1,5	32	38	19	22
5425-18-08	12	1/2"	3/4-16	M18x1,5	32	40	19	24
5425-18-10	14-16	5/8"	7/8-14	M18x1,5	37	41	22	24
5425-22-10	14-16	5/8"	7/8-14	M22x1,5	37	43	22	27
5425-22-12	18-20	3/4"	1.1/16-12	M22x1,5	42	45	27	27
5425-27-12	18-20	3/4"	1.1/16-12	M27x2	42	52	27	36
5425-27-16	25	1"	1.5/16-12	M27x2	46	52	33	36
5425-33-16	25	1"	1.5/16-12	M33x2	46	53	33	41
5425-42-20	30	1.1/4"	1.5/8-12	M42x2	52	58	41	50
5425-48-24	38	1.1/2"	1.7/8-12	M48x2	59	67	48	60

### 5037 **Адаптер накидная гайка JIC X метрика наружная резьба с уплотнением ED**

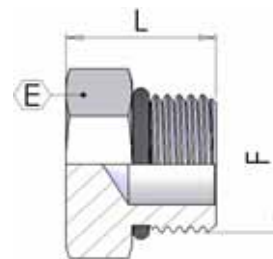
Connector swivel JIC female X Metric male with "ED" seal



part number	Ø tube		Dimensions					
	mm	inch	F	T	B	D	H	E
5037-10-04	6	1/4"	7/16"-20	M10x1	8	24,5	14	14
5037-10-05	8	5/16"	1/2"-20	M10x1	8	26,0	17	14
5037-12-04	6	1/4"	7/16"-20	M12x1,5	8	24,5	14	17
5037-12-05	8	5/16"	1/2"-20	M12x1,5	8	26,0	17	17
5037-14-05	8	5/16"	1/2"-20	M14x1,5	12	26,0	17	19
5037-14-06	10	3/8"	9/16"-18	M14x1,5	12	26,8	19	19
5037-16-06	10	3/8"	9/16"-18	M16x1,5	12	27,3	19	22
5037-16-08	12	1/2"	3/4"-16	M16x1,5	12	29,6	22	22
5037-18-08	12	1/2"	3/4"-16	M18x1,5	12	30,6	22	24
5037-18-10	16	5/8"	7/8"-14	M18x1,5	12	34,6	27	24
5037-20-10	16	5/8"	7/8"-14	M20x1,5	14	35,6	27	27
5037-22-10	16	5/8"	7/8"-14	M22x1,5	14	36,1	27	29
5037-22-12	20	3/4"	1.1/16"-12	M22x1,5	14	36,2	32	27
5037-27-12	20	3/4"	1.1/16"-12	M27x2	16	36,7	32	32
5037-27-16	25	1"	1.5/16"-12	M27x2	16	40,4	41	32
5037-33-16	25	1"	1.5/16"-12	M33x2	18	41,4	41	41
5037-42-20	32	1.1/4"	1.5/8"-12	M42x2	20	43,8	50	50
5037-48-24	38	1.1/2"	1.7/8"-12	M48x2	22	51,3	60	55

### 5040 **Заглушка наружная резьба UNF**

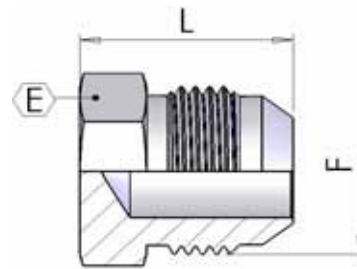
UNF male plug



part number	Ø tube		Dimensions		
	mm	inch	F	L	E
5040-04			7/16" - 20	17	14
5040-05			1/2" - 20	17	14
5040-06			9/16" - 18	19	17
5040-08			3/4" - 16	21	22
5040-10			7/8" - 14	24	27
5040-12			1.1/16" - 12	27	32
5040-16			1.5/16" - 12	28	38

## J605 Заглушка наружная резьба

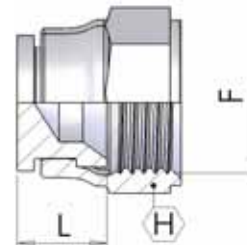
Male plug



part number	Ø tube		Dimensions		
	mm	inch	F	L	E
J605-04			7/16" - 20	22	12
J605-05			1/2" - 20	20	14
J605-06			9/16" - 18	22	15
J605-08			3/4" - 16	25	19
J605-10			7/8" - 14	27	24
J605-12			1.1/16" - 12	32	27
J605-14			1.3/16" - 12	33	32
J605-16			1.5/16" - 12	33	34
J605-20			1.5/8" - 12	36	46
J605-24			1.7/8" - 12	43	50

## J608 Заглушка накидная гайка

Female Plug Swivel



\* SAE 45°

part number	Ø tube		Dimensions		
	mm	inch	F	L	H
J608-04			7/16" - 20	10	14
J608-05			1/2" - 20	10	17
J608-06			9/16" - 18	12	19
J608-07			5/8" - 18	12	22
J608-08			3/4" - 16	13	24
J608-10			7/8" - 14	14	27
J608-12			1.1/16" - 12	16	32
J608-14			1.3/16" - 12	15	36
J608-16			1.5/16" - 12	17	41
J608-20			1.5/8" - 12	20	50
J608-24			1.7/8" - 12	23	55