

● ● ● ● ● ● **Адаптеры ORFS**

Страница / Page		3		4		4					
ORFS Nut		6010 ORFS Nut		ORFS Sleeve		6015 Sleeve					
		6020 Braze Sleeve									
Страница / Page		5		5		6		6			
ORFS male		6000 Union ORFS			6300 90° Elbow Union ORFS			6350 Union Tee ORFS			
		6550 Cross Union ORFS									
	Страница / Page		7		8		8		9		
	ORFS Swivel		6056 Reducing F ORFS x M ORFS			6055 Swivel Nut Female F ORFS x M ORFS			6205 Swivel Nut Elbow F ORFS x M ORFS		
		6255 Swivel 45° Nut Elbow F ORFS x M ORFS			6620 Swivel Nut Run Tee ORFS			6630 Swivel Nut Branch Tee ORFS			
Страница / Page		10		11		11		12			
ORFS ORFS bulkhead			6050 Bulkhead Union ORFS			6510 Bulkhead Union Elbow ORFS			6520 Bulkhead 45° Union Elb. ORFS		
			6500 Run Tee Connector ORFS Bulkhead			6490 Bulkhead Branch Tee ORFS					
		Страница / Page		13		13		14		14	
	UNF ORFS		6150 Bulkhead Connector M UNF x M ORFS			6100 Male Connector M UNF x M ORFS			6120 Swivel Nut female F ORFS x M UNF		
			6200 90° Elbow Connector UNF Orientable			6950 Long Adjustable Elbow M ORFS x M UNF			6250 45° Elbow Connector UNF Orientable		
Страница / Page		16		16		17		17			
UNF ORFS			6400 Branch Tee Connector UNF Orientable			6450 Run Tee Connector UNF Orientable		ORFS BSPT		6820 Male Connector M ORFS x M BSPT	
			6830 Male Connector M ORFS x M NPTF		ORFS NPTF		6830 Male Connector M ORFS x M NPTF				

Dimensions and general characteristics may be changed at any time without prior notice.

Data contained herein are for information purpose only, and it does not enlarge, amend or imply any warranty other than provided by us with the product
Any use of the product not in conformance with our instructions may be dangerous.

Адаптеры ORFS

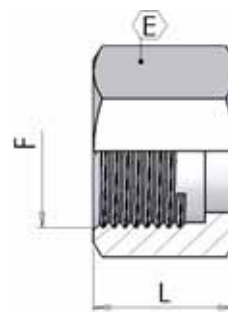
Страница / Page	18	19	19	20	21	22
ORFS BSP						
	6036	6800	6810	6215	6260	6340
	Swivel Nut Female	Male Connector	Male Connector	Adjustable Elbow	Adjustable 45° Elbow	Adj. Elb. with swivel nut
	F ORFS x M BSP or (ED)	M ORFS x M BSP or	M ORFS x M BSP	M BSP x M ORFS	M ORFS x M BSP	M ORFS x M BSP
	Страница / Page	22	23			24
	ORFS BSP			ORFS JIC		
		6460	6410			6125
Adjustable Run Tee		Adjustable Branch Tee			Swivel Nut Female	
ORFS - ORFS - BSP	ORFS - BSP - ORFS			F ORFS x M JIC		
Страница / Page	24	25	25	26	26	
ORFS METRIC						
	6900	6920	6320	6940	6270	
	Male Connector	Long Male Connector	Adjustable Elbow	Long Adjustable Elbow	Adjustable 45° Elbow	
	M ORFS x M Metric	M ORFS x M Metric	M ORFS x M Metric	M ORFS x M Metric	M ORFS x M Metric	
	Страница / Page	27	27	28	29	29
	ORFS METRIC				ORFS Plug	
6420		6470	6840	6600		
Adjustable Branch Tee		Adjustable Run Tee	Male Connector ORFS	ORFS Male Plug		
ORFS - Metric - ORFS	ORFS - ORFS - Metric	Metric (ISO 6149-2)		ORFS Female Plug		

Dimensions and general characteristics may be changed at any time without prior notice.

Data contained herein are for information purpose only, and it does not enlarge, amend or imply any warranty other than provided by us with the product
Any use of the product not in conformance with our instructions may be dangerous.

6010 Гайка ORFS

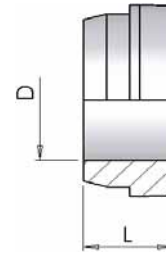
ORFS nut



part number	Ø tube		Dimensions		
	mm	inch	F	L	E
6010-06	6	1/4"	9/16 - 18	15,0	19
6010-09	8-10	5/16"-3/8"	11/16 - 16	17,0	22
6010-11	12	1/2"	13/16 - 16	20,0	24
6010-13	14-16	5/8"	1 - 14	24,0	30
6010-14	18-20	3/4"	1.3/16 - 12	26,5	36
6010-15	25	1"	1.7/16 - 12	27,5	41
6010-21	30-32	1.1/4"	1.11/16 - 12	27,5	50
6010-32	38	1.1/2"	2 - 12	27,5	60

6015 Кольцо метрическое

Metric sleeve



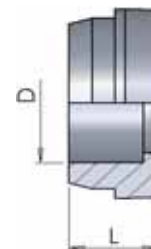
part number	Ø tube	Dimensions		
	mm	L	D	
6015-06	06	7,5	06	
6015-08	08	8,5	08	
6015-10	10	8,4	10	
6015-12	12	10,7	12	
6015-14	14	10,5	14	
6015-15	15	10,6	15	
6015-16	16	10,6	16	
6015-18	18	14	18	
6015-20	20	12,1	20	
6015-22	22	13,5	22	
6015-25	25	13,5	25	
6015-28	28	15,5	28	
6015-30	30	13	30	
6015-32	32	13	32	
6015-35	35	15,5	35	
6015-38	38	12,5	38	

6020 Опорная головка

Shoulder

гальваническое покрытие:
surface treatment:

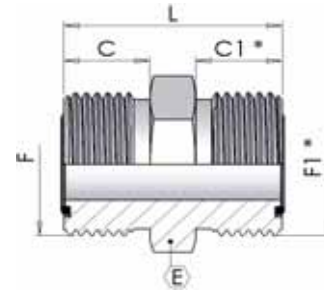
без оцинковки
without zinc plating



part number	Ø tube	Dimensions		
	mm	L	D	
6020-06	06	9,5	06	
6020-08	08	9,5	08	
6020-10	10	9,5	10	
6020-12	12	9,5	12	
6020-14	14	10,5	14	
6020-15	15	10,5	15	
6020-16	16	10,5	16	
6020-18	18	14	18	
6020-20	20	14	20	
6020-22	22	15,5	22	
6020-25	25	15,5	25	
6020-28	28	15,5	28	
6020-30	30	15,5	30	
6020-32	32	15,5	32	
6020-35	35	15,5	35	
6020-38	38	15,5	38	

6000 **Коннектор наружная резьба**

Male connector



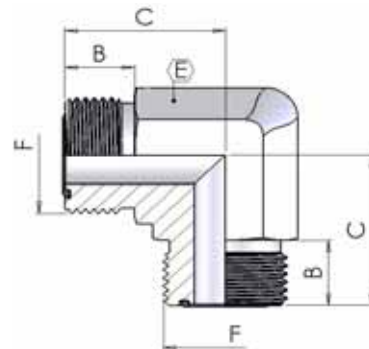
* - F1 и C1 относятся только к переходным размерам

* - *F1 and C1 are for jump size only*

part number	Ø tube		Dimensions					
	mm	inch	F	F1	L	C	C1	E
6000-06	6	1/4"	9/16 - 18	-	27	10	-	17
6000-09	8-10	5/16"-3/8"	11/16 - 16	-	31	11	-	19
6000-11	12	1/2"	13/16 - 16	-	35	13	-	22
6000-11-09	8-10-12	5/16 to 1/2	13/16 - 16	11/16 - 16	34	13	11	22
6000-13	14-16	5/8"	1 - 14	-	43	16	-	27
6000-13-11	12-14-16	5/8"-1/2"	1 - 14	13/16 - 16	40	16	13	27
6000-14	18-20	3/4"	1.3/16 - 12	-	47	17	-	32
6000-14-13	14-16-18-20	5/8"-3/4"	1.3/16 - 12	1 - 14	46	17	16	32
6000-15	25	1"	1.7/16 - 12	-	49	18	-	38
6000-15-14	18-20-25	3/4"-1"	1.7/16 - 12	1.3/16 - 12	49	18	17	38
6000-21	30-32	1.1/4"	1.11/16 - 12	-	51	18	-	46
6000-32	38	1.1/2"	2 - 12	-	53	18	-	55

6300 **Коннектор 90°**

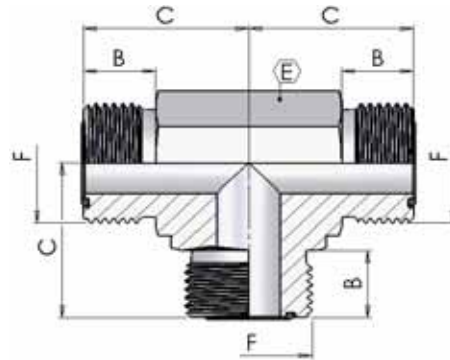
90° Elbow Union



part number	Ø tube		Dimensions			
	mm	inch	F	C	B	E
6300-06	6	1/4"	9/16 - 18	22	9	14
6300-09	8-10	5/16"-3/8"	11/16 - 16	25	10	19
6300-11	12	1/2"	13/16 - 16	28	12	19
6300-13	14-16	5/8"	1 - 14	33	14	27
6300-14	18-20	3/4"	1.3/16 - 12	37	15	30
6300-15	25	1"	1.7/16 - 12	38	18	32
6300-21	30-32	1.1/4"	1.11/16 - 12	45	18	41
6300-32	38	1.1/2"	2 - 12	49	18	48

6350 Тройник

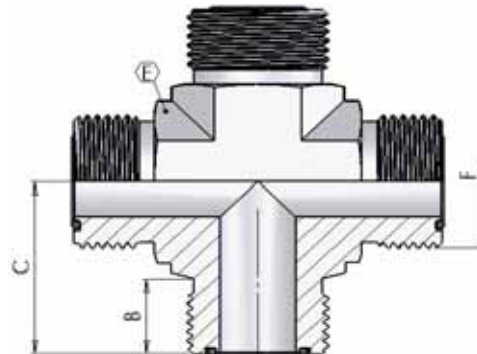
Union Tee



part number	Ø tube		Dimensions			
	mm	inch	F	C	B	E
6350-06	6	1/4"	9/16 - 18	22	10	14
6350-09	8-10	5/16"-3/8"	11/16 - 16	25	11	19
6350-11	12	1/2"	13/16 - 16	28	13	19
6350-13	14-16	5/8"	1 - 14	34	16	27
6350-14	18-20	3/4"	1.3/16 - 12	38	17	33
6350-15	25	1"	1.7/16 - 12	42	18	41
6350-21	30-32	1.1/4"	1.11/16 - 12	45	18	41
6350-32	38	1.1/2"	2 - 12	49	18	48

6550 X-образный коннектор

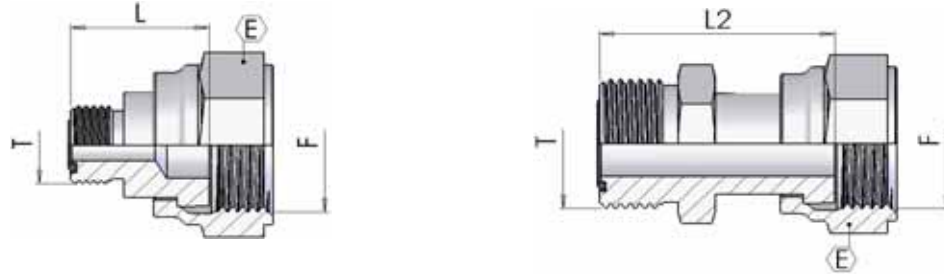
Cross Union



part number	Ø tube		Dimensions			
	mm	inch	F	C	B	E
6550-06	6	1/4"	9/16 - 18	22	10	14
6550-09	8-10	5/16"-3/8"	11/16 - 16	25	11	19
6550-11	12	1/2"	13/16 - 16	28	13	19
6550-13	14-16	5/8"	1 - 14	33	16	27
6550-14	18-20	3/4"	1.3/16 - 12	37	17	30
6550-15	25	1"	1.7/16 - 12	42	18	37
6550-21	30-32	1.1/4"	1.11/16 - 12	45	18	41
6550-32	38	1.1/2"	2 - 12	49	18	48

6056 Редукционный коннектор гайка-штуце

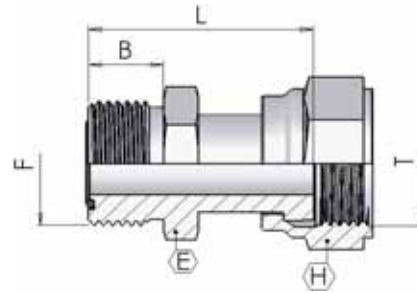
Reducing male - female ORFS



part number	Ø tube		Dimensions					
	mm	inch	F	T	L	L2	E	
6056-09-06	10-06	3/8"-1/4"	11/16""-16	9/16""-18	-	20	22	
6056-11-06	12-06	1/2"-1/4"	13/16""-16	9/16""-18	22	-	24	
6056-11-09	12-10	1/2"-3/8"	13/16""-16	11/16""-16	-	23	24	
6056-13-06	16-06	5/8"-1/4"	1"-14	9/16""-18	23	-	30	
6056-13-09	16-08	5/8"-5/16"	1"-14	11/16""-16	24	-	30	
6056-13-11	16-12	5/8"-1/2"	1"-14	13/16""-16	26	-	30	
6056-14-06	20-06	3/4"-1/4"	1.3/16""-12	9/16""-18	25	-	36	
6056-14-09	20-08	3/4"-5/16"	1.3/16""-12	11/16""-16	26	-	36	
6056-14-11	20-12	3/4"-1/2"	1.3/16""-12	13/16""-12	28	-	36	
6056-14-13	20-16	3/4"-5/8"	1.3/16""-12	1"-14	-	30	36	
6056-15-11	25-12	1"-1/2"	1.7/16""-12	13/16""-12	29	-	41	
6056-15-13	25-16	1"-5/8"	1.7/16""-12	1"-14	32	-	41	
6056-15-14	25-20	1"-3/4"	1.7/16""-12	1.3/16""-12	-	33	41	
6056-21-14	32-20	1"1/4"-3/4"	1.11/16""-12	1.3/16""-12	34	-	50	
6056-21-15	32-25	1-1"1/4"	1.11/16""-12	1.7/16""-12	-	39	50	
6056-32-15	38-25	1"1/2"-1"	2"-12	1.7/16""-12	34	-	60	
6056-32-21	38-32	1"1/2"-1"1/4"	2"-12	1.11/16""-12	34	-	60	

6055 **Коннектор гайка-штуцер ORFS**

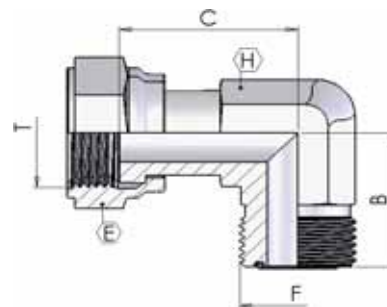
Swivel Union M/F ORFS



part number	Ø tube		Dimensions				
	mm	inch	F	T	B	L	E
6055-06	6	1/4"	9/16"-18	9/16"-18	10	27	17
6055-09	8-10	5/16"-3/8"	11/16"-16	11/16"-16	11	33	19
6055-11	12	1/2"	13/16"-16	13/16"-16	13	36	22
6055-13	14-16	5/8"	1"-14	1"-14	16	43	27
6055-14	18-20	3/4"	1.3/16"-12	1.3/16"-12	17	43	32
6055-15	25	1"	1.7/16"-12	1.7/16"-12	18	47	38
6055-21	30-32	1.1/4"	1.11/16"-12	1.11/16"-12	18	48	46
6055-32	38	1.1/2"	2"-12	2"-12	18	49	55

6205 **Коннектор 90° гайка-штуцер ORFS**

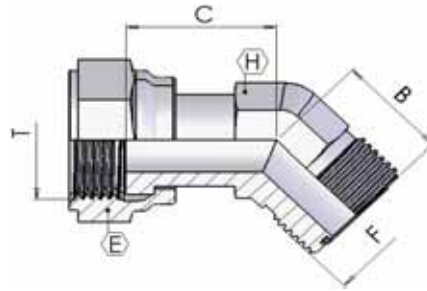
Swivel Nut Elbow M/F ORFS



part number	Ø tube		Dimensions					
	mm	inch	F	T	B	C	H	E
6205-06	6	1/4"	9/16"-18	9/16"-18	22	27	14	19
6205-09	8-10	5/16"-3/8"	11/16"-16	11/16"-16	25	29	19	22
6205-11	12	1/2"	13/16"-16	13/16"-16	28	38	19	24
6205-13	14-16	5/8"	1"-14	1"-14	34	41	27	30
6205-14	18-20	3/4"	1.3/16"-12	1.3/16"-12	38	47	30	36
6205-15	25	1"	1.7/16"-12	1.7/16"-12	42	54	37	41
6205-21	30-32	1.1/4"	1.11/16"-12	1.11/16"-12	45	58	41	50
6205-32	38	1.1/2"	2"-12	2"-12	49	61	48	60

6255 Коннектор 45° гайка-штуцер ORFS

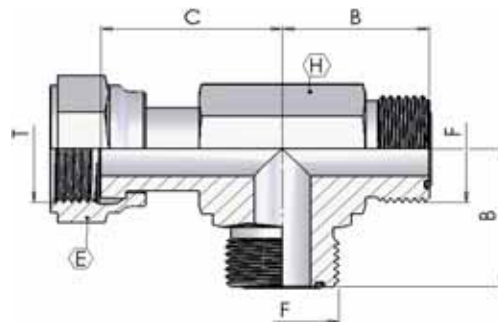
Swivel 45° Nut Elbow M/F ORFS



part number	Ø tube		Dimensions					
	mm	inch	F	T	B	C	H	E
6255-06	6	1/4"	9/16"-18	9/16"-18	16	22	14	19
6255-09	8-10	5/16"-3/8"	11/16"-16	11/16"-16	19	27	19	22
6255-11	12	1/2"	13/16"-16	13/16"-16	21	31	19	24
6255-13	14-16	5/8"	1"-14	1"-14	24	37	27	30
6255-14	18-20	3/4"	1.3/16"-12	1.3/16"-12	26	42	30	36
6255-15	25	1"	1.7/16"-12	1.7/16"-12	30	47	37	41
6255-21	30-32	1.1/4"	1.11/16"-12	1.11/16"-12	32	47	41	50
6255-32	38	1.1/2"	2"-12	2"-12	37	49	48	60

6620 Тройник боковая гайка

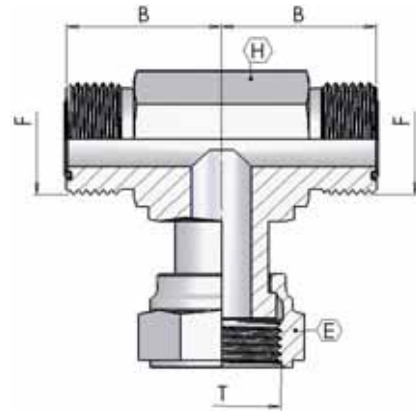
Female run tee



part number	Ø tube		Dimensions					
	mm	inch	F	T	B	C	H	E
6620-06	6	1/4"	9/16"-18	9/16"-18	22	27	14	19
6620-09	8-10	5/16"-3/8"	11/16"-16	11/16"-16	25	29	19	22
6620-11	12	1/2"	13/16"-16	13/16"-16	28	38	19	24
6620-13	14-16	5/8"	1"-14	1"-14	34	41	27	30
6620-14	18-20	3/4"	1.3/16"-12	1.3/16"-12	38	47	30	36
6620-15	25	1"	1.7/16"-12	1.7/16"-12	42	54	37	41
6620-21	30-32	1.1/4"	1.11/16"-12	1.11/16"-12	45	58	41	50
6620-32	38	1.1/2"	2"-12	2"-12	49	61	48	60

6630 Тройник нижняя гайка

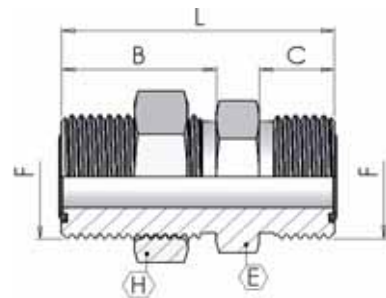
Female branch tee



part number	Ø tube		Dimensions					
	mm	inch	F	T	B	C	H	E
6630-06	6	1/4"	9/16"-18	9/16"-18	22	27	14	19
6630-09	8-10	5/16"-3/8"	11/16"-16	11/16"-16	25	29	19	22
6630-11	12	1/2"	13/16"-16	13/16"-16	28	38	19	24
6630-13	14-16	5/8"	1"-14	1"-14	34	41	27	30
6630-14	18-20	3/4"	1.3/16"-12	1.3/16"-12	38	47	30	36
6630-15	25	1"	1.7/16"-12	1.7/16"-12	42	54	37	41
6630-21	30-32	1.1/4"	1.11/16"-12	1.11/16"-12	45	58	41	50
6630-32	38	1.1/2"	2"-12	2"-12	49	61	48	60

6050 Контргайка

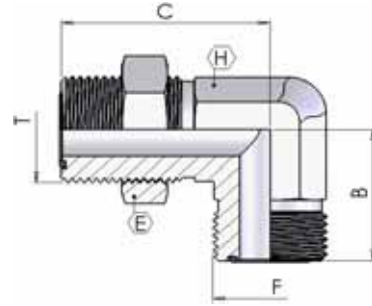
Bulkhead



part number	Dimensions					
	F	C	L	B	E	H
6050-06	9/16 - 18	10	48	32	17	22
6050-09	11/16 - 16	11	53	34	19	27
6050-11	13/16 - 16	13	58	37	22	30
6050-13	1 - 14	16	67	41	27	36
6050-14	1.3/16 - 12	17	69	42	32	41
6050-15	1.7/16 - 12	18	70	42	38	46
6050-21	1.11/16 - 12	18	70	42	46	50
6050-32	2 - 12	18	70	42	55	60

6510 Переборочный адаптер 90°

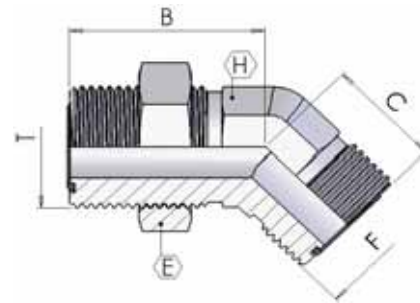
Bulkhead 90° Elbow Union



part number	Ø tube		Dimensions					
	mm	inch	F	T	B	C	E	H
6510-06	6	1/4"	9/16"-18	9/16"-18	23	47	22	14
6510-09	8-10	5/16"-3/8"	11/16"-16	11/16"-16	26	52	27	19
6510-11	12	1/2"	13/16"-16	13/16"-16	29	56	30	19
6510-13	14-16	5/8"	1"-14	1"-14	35	63	36	27
6510-14	18-20	3/4"	1.3/16"-12	1.3/16"-12	39	67	41	30
6510-15	25	1"	1.7/16"-12	1.7/16"-12	43	71	46	37
6510-21	30-32	1.1/4"	1.11/16"-12	1.11/16"-12	46	76	50	41
6510-32	38	1.1/2"	2"-12	2"-12	50	80	60	48

6520 Переборочный адаптер 45°

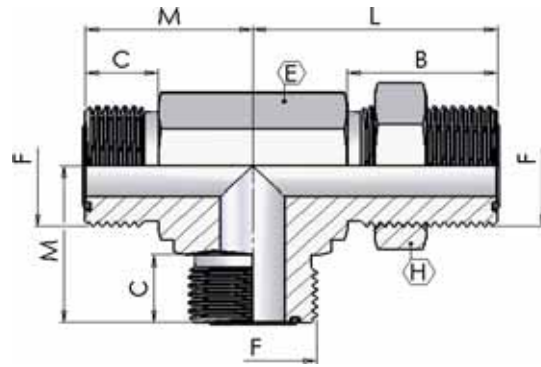
Bulkhead 45° Elbow Union



part number	Ø tube		Dimensions					
	mm	inch	F	T	B	C	E	H
6520-06	6	1/4"	9/16"-18	9/16"-18	47	23	22	14
6520-09	8-10	5/16"-3/8"	11/16"-16	11/16"-16	52	26	27	19
6520-11	12	1/2"	13/16"-16	13/16"-16	56	29	30	19
6520-13	14-16	5/8"	1"-14	1"-14	63	35	36	27
6520-14	18-20	3/4"	1.3/16"-12	1.3/16"-12	67	39	41	30
6520-15	25	1"	1.7/16"-12	1.7/16"-12	71	43	46	37
6520-21	30-32	1.1/4"	1.11/16"-12	1.11/16"-12	76	46	50	41
6520-32	38	1.1/2"	2"-12	2"-12	80	50	60	48

6500 **Тройник переборочный
наружные резьбы боковое
подсоединение**

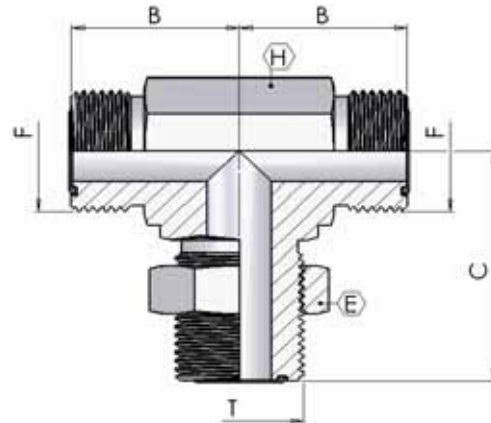
Bulkhead male run tee



part number	Ø tube		Dimensions						
	mm	inch	F	C	L	B	M	H	E
6500-06	6	1/4"	9/16 - 18	10	47	32	22	22	14
6500-09	8-10	5/16"-3/8"	11/16 - 16	11	52	34	25	27	19
6500-11	12	1/2"	13/16 - 16	13	55	37	28	30	19
6500-13	14-16	5/8"	1 - 14	16	63	41	33	36	27
6500-14	18-20	3/4"	1.3/16 - 12	17	67	42	37	41	30
6500-15	25	1"	1.7/16 - 12	18	71	42	42	46	37
6500-21	30-32	1.1/4"	1.11/16 - 12	18	75	42	45	50	41
6500-32	38	1.1/2"	2 - 12	18	80	42	49	60	48

6490 **Тройник переборочный
наружные резьбы нижнее
подсоединение**

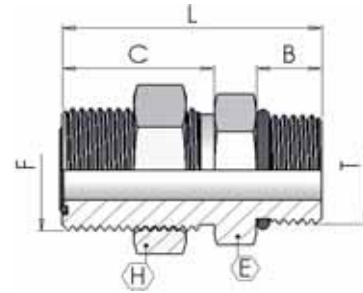
Bulkhead male Branch tee



part number	Ø tube		Dimensions					
	mm	inch	F	T	B	C	E	H
6490-06	6	1/4"	9/16"-18	9/16"-18	23	47	22	14
6490-09	8-10	5/16"-3/8"	11/16"-16	11/16"-16	26	52	27	19
6490-11	12	1/2"	13/16"-16	13/16"-16	29	56	30	19
6490-13	14-16	5/8"	1"-14	1"-14	35	63	36	27
6490-14	18-20	3/4"	1.3/16"-12	1.3/16"-12	39	67	41	30
6490-15	25	1"	1.7/16"-12	1.7/16"-12	43	71	46	37
6490-21	30-32	1.1/4"	1.11/16"-12	1.11/16"-12	46	76	50	41
6490-32	38	1.1/2"	2"-12	2"-12	50	80	60	48

6150 Прямое переборочное соединение UNF X

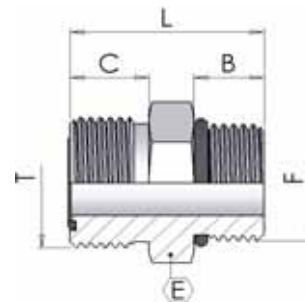
Straight bulkhead UNF male X ORFS male



part number	Ø tube		Dimensions						
	mm	inch	T	F	C	L	B	E	H
6150-04-06	6	1/4"	7/16 - 20	9/16 - 18	32	49	11	17	22
6150-06-09	8-10	5/16"-3/8"	9/16 - 18	11/16 - 16	34	54	12	19	27
6150-08-11	12	1/2"	3/4 - 16	13/16 - 16	37	60	14	22	30
6150-10-13	14-16	5/8"	7/8 - 14	1 - 14	41	67	16	27	36
6150-12-14	18-20	3/4"	1.1/16 - 12	1.3/16 - 12	42	71	19	32	41
6150-16-15	25	1"	1.5/16 - 12	1.7/16 - 12	42	71	19	38	46
6150-20-21	30-32	1.1/4"	1.5/8 - 12	1.11/16 - 12	42	71	19	46	50
6150-24-32	38	1.1/2"	1.7/8 - 12	2 - 12	42	71	19	55	60

6100 Коннектор UNF X ORFS

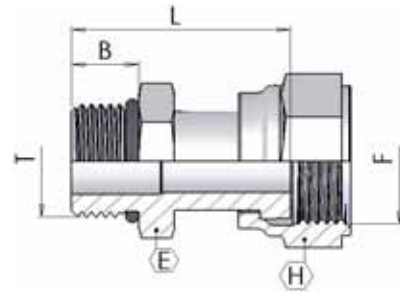
UNF male X ORFS male connector



part number	Ø tube		Dimensions					
	mm	inch	F	T	C	L	B	E
6100-04-06	6	1/4"	7/16 - 20	9/16 - 18	10	29	11	17
6100-06-06	8-10	5/16"-3/8"	9/16 - 18	9/16 - 18	10	31	12	19
6100-06-09	8-10	5/16"-3/8"	9/16 - 18	11/16 - 16	11	32	12	19
6100-08-11	12	1/2"	3/4 - 16	13/16 - 16	13	37	14	22
6100-10-09	8-10	5/16"-3/8"	7/8 - 14	11/16 - 16	11	39	16	27
6100-10-13	14-16	5/8"	7/8 - 14	1 - 14	16	43	16	27
6100-10-14	18-20	3/4"	7/8 - 14	1.3/16 - 12	17	51	13	32
6100-12-14	18-20	3/4"	1.1/16 - 12	1.3/16 - 12	17	49	19	32
6100-12-15	25	1"	1.1/16 - 12	1.7/16 - 12	18	54	19	38
6100-16-14	18-20	3/4"	1.5/16 - 12	1.3/16 - 12	17	50	19	38
6100-16-15	25	1"	1.5/16 - 12	1.7/16 - 12	18	50	19	38
6100-20-15	25	1"	1.5/8 - 12	1.7/16 - 12	18	52	19	46
6100-20-21	30-32	1.1/4"	1.5/8 - 12	1.11/16 - 12	18	52	19	46
6100-24-32	38	1.1/2"	1.7/8 - 12	2 - 12	18	54	19	55

6120 Вращающийся коннектор ORFS/UNF

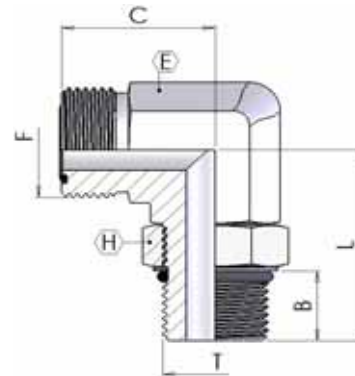
Swivel Nut Female ORFS/UNF



part number	Ø tube		Dimensions						
	mm	inch	F	T	B	L	E	H	
6120-04-06	6	1/4"	9/16"-18	7/16-20	11	38	16	19	
6120-04-09	8-10	5/16"-3/8"	11/16"-16	7/16-20	11	-	19	22	
6120-06-09	8-10	5/16"-3/8"	11/16"-16	9/16-18	12	41	19	22	
6120-08-09	8-10	5/16"-3/8"	11/16"-16	3/4-16	14	-	22	22	
6120-08-11	12	1/2"	13/16"-16	3/4-16	14	50	22	24	
6120-08-13	14-16	5/8"	1"-14	3/4-16	14	-	27	30	
6120-10-11	12	1/2"	13/16"-16	7/8-14	16	-	27	24	
6120-10-13	14-16	5/8"	1"-14	7/8-14	16	54	27	30	
6120-10-14	18-20	3/4"	1.3/16"-12	7/8-14	16	-	32	36	
6120-12-13	14-16	5/8"	1"-14	1.1/16-12	19	-	32	30	
6120-12-14	18-20	3/4"	1.3/16"-12	1.1/16-12	19	60	32	36	
6120-16-14	18-20	3/4"	1.3/16"-12	1.5/16-12	19	-	38	36	
6120-16-15	25	1"	1.7/16"-12	1.5/16-12	19	68	38	41	
6120-20-21	30-32	1.1/4"	1.11/16"-12	1.5/8-12	19	68	50	50	
6120-24-32	38	1.1/2"	2"-12	1.7/8-12	19	68	55	60	

6200 Регулируемый коннектор 90° ORFS/UNF

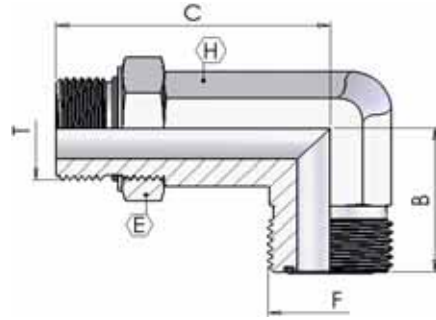
90° elbow "adjustable" connector ORFS male X
UNF male



part number	Ø tube		Dimensions						
	mm	inch	T	F	C	L	B	H	
6200-04-06	6	1/4"	7/16 - 20	9/16 - 18	22	33	11	17	14
6200-06-06	6	1/4"	9/16 - 18	9/16 - 18	23	37	12	17	19
6200-06-09	8-10	5/16"-3/8"	9/16 - 18	11/16 - 16	25	37	12	19	19
6200-08-11	12	1/2"	3/4 - 16	13/16 - 16	28	41	14	22	19
6200-10-13	14-16	5/8"	7/8 - 14	1 - 14	33	50	16	27	27
6200-12-14	18-20	3/4"	1.1/16 - 12	1.3/16 - 12	37	55	19	32	30
6200-16-15	25	1"	1.5/16 - 12	1.7/16 - 12	42	60	19	38	37
6200-20-21	30-32	1.1/4"	1.5/8 - 12	1.11/16 - 12	45	62	19	46	41
6200-24-32	38	1.1/2"	1.7/8 - 12	2 - 12	49	66	19	55	48

6950 Регулируемый коннектор 90° ORFS/UNF, удлиненный

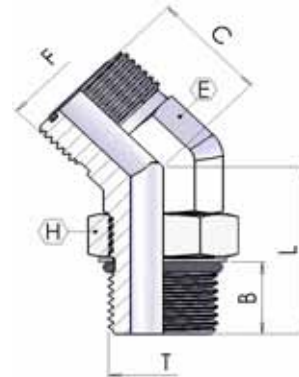
Long Adjustable Elbow ORFS/UNF



part number	Ø tube		Dimensions						
	mm	inch	F	T	B	C	E	H	
6950-04-06	6	1/4"	9/16"-18	7/16-20	22	57	16	14	
6950-04-09	8-10	5/16"-3/8"	11/16"-16	7/16-20	25	-	16	19	
6950-06-09	8-10	5/16"-3/8"	11/16"-16	9/16-18	25	67	19	19	
6950-08-09	8-10	5/16"-3/8"	11/16"-16	3/4-16	27	75	24	19	
6950-08-11	12	1/2"	13/16"-16	3/4-16	28	75	24	19	
6950-08-13	14-16	5/8"	1"-14	3/4-16	34	-	24	27	
6950-10-11	12	1/2"	13/16"-16	7/8-14	31	89	27	27	
6950-10-13	14-16	5/8"	1"-14	7/8-14	34	89	27	27	
6950-10-14	18-20	3/4"	1.3/16"-12	7/8-14	-	-	27	30	
6950-12-13	14-16	5/8"	1"-14	1.1/16-12	36	101	36	30	
6950-12-14	18-20	3/4"	1.3/16"-12	1.1/16-12	38	101	36	30	
6950-16-14	18-20	3/4"	1.3/16"-12	1.5/16-12	41	115	41	37	
6950-16-15	25	1"	1.7/16"-12	1.5/16-12	42	115	41	37	
6950-20-21	30-32	1.1/4"	1.11/16"-12	1.5/8-12	45	127	50	41	
6950-24-32	38	1.1/2"	2"-12	1.7/8-12	49	139	55	48	

6250 Регулируемый коннектор 45° ORFS/UNF

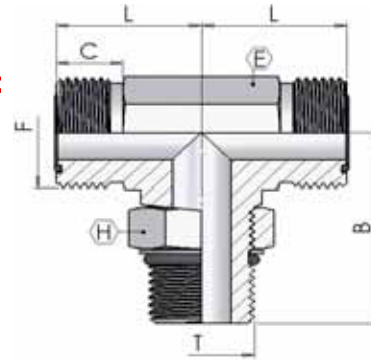
45° elbow "adjustable" connector ORFS male X
UNF male



part number	Ø tube		Dimensions							
	mm	inch	T	F	C	L	B	H	E	
6250-04-06	6	1/4"	7/16 - 20	9/16 - 18	16	30	10	17	14	
6250-06-09	8-10	5/16"-3/8"	9/16 - 18	11/16 - 16	19	33	12	19	19	
6250-08-11	12	1/2"	3/4 - 16	13/16 - 16	20	36	13	22	19	
6250-10-13	14-16	5/8"	7/8 - 14	1 - 14	23	45	14	27	27	
6250-12-14	18-20	3/4"	1.1/16 - 12	1.3/16 - 12	26	50	17	32	30	
6250-16-15	25	1"	1.5/16 - 12	1.7/16 - 12	30	52	17	38	37	
6250-20-21	30-32	1.1/4"	1.5/8 - 12	1.11/16 - 12	32	54	17	46	41	
6250-24-32	38	1.1/2"	1.7/8 - 12	2 - 12	37	54	17	55	48	

6400 Тройник регулируемый UNF наружные ре:

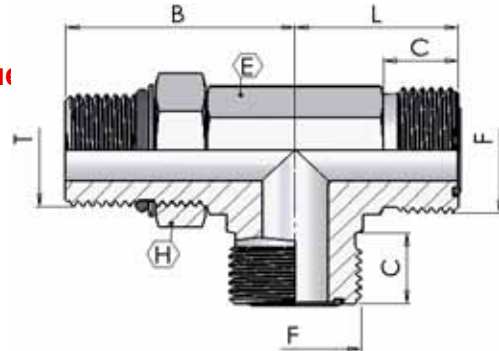
Adjustable UNF male branch Tee



part number	Ø tube		Dimensions						
	mm	inch	T	F	C	L	B	H	E
6400-04-06	6	1/4"	7/16 - 20	9/16 - 18	10	22	33	17	14
6400-06-09	8-10	5/16"-3/8"	9/16 - 18	11/16 - 16	11	25	37	19	19
6400-08-11	12	1/2"	3/4 - 16	13/16 - 16	13	28	41	22	19
6400-10-13	14-16	5/8"	7/8 - 14	1 - 14	16	33	50	27	27
6400-12-14	18-20	3/4"	1.1/16 - 12	1.3/16 - 12	17	37	55	32	30
6400-16-15	25	1"	1.5/16 - 12	1.7/16 - 12	18	42	60	38	37
6400-20-21	30-32	1.1/4"	1.5/8 - 12	1.11/16 - 12	18	45	62	46	41
6400-24-32	38	1.1/2"	1.7/8 - 12	2 - 12	18	49	66	55	48

6450 Тройник регулируемый UNF наружны

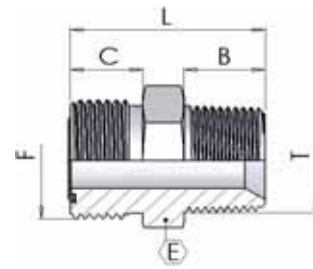
Adjustable UNF male run Tee



part number	Ø tube		Dimensions						
	mm	inch	T	F	C	L	B	H	E
6450-04-06	6	1/4"	7/16 - 20	9/16 - 18	10	22	33	17	14
6450-06-09	8-10	5/16"-3/8"	9/16 - 18	11/16 - 16	11	25	37	19	19
6450-08-11	12	1/2"	3/4 - 16	13/16 - 16	13	28	41	22	19
6450-10-13	14-16	5/8"	7/8 - 14	1 - 14	16	33	50	27	27
6450-12-14	18-20	3/4"	1.1/16 - 12	1.3/16 - 12	17	37	55	32	30
6450-16-15	25	1"	1.5/16 - 12	1.7/16 - 12	18	42	60	38	37
6450-20-21	30-32	1.1/4"	1.5/8 - 12	1.11/16 - 12	18	45	62	46	41
6450-24-32	38	1.1/2"	1.7/8 - 12	2 - 12	18	49	66	55	48

6820 **Коннектор ORFS/BSPT**

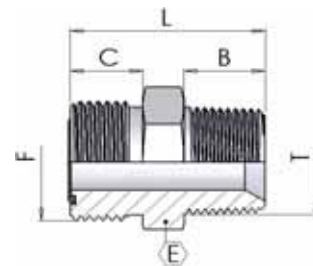
Male Connector ORFS/BSPT



part number	Ø tube		Dimensions					
	mm	inch	F	T	B	C	L	E
6820-02-06	6	1/4"	9/16"-18	1/8	10	10	27	16
6820-04-06	6	1/4"	9/16"-18	1/4	15	10	33	16
6820-04-09	8-10	5/16"-3/8"	11/16"-16	1/4	15	11	34	19
6820-04-11	12	1/2"	13/16"-16	1/4	15	13	36	22
6820-06-09	8-10	5/16"-3/8"	11/16"-16	3/8	15	11	34	19
6820-06-11	12	1/2"	13/16"-16	3/8	15	13	36	22
6820-06-13	14-16	5/8"	1"-14	3/8	15	16	40	27
6820-08-11	12	1/2"	13/16"-16	1/2	19	13	42	22
6820-08-13	14-16	5/8"	1"-14	1/2	19	16	45	27
6820-08-14	18-20	3/4"	1.3/16"-12	1/2	19	17	48	32
6820-12-13	14-16	5/8"	1"-14	3/4	19	16	47	27
6820-12-14	18-20	3/4"	1.3/16"-12	3/4	19	17	48	23
6820-12-15	25	1"	1.7/16"-12	3/4	19	18	49	38
6820-16-14	18-20	3/4"	1.3/16"-12	1	24	17	54	36
6820-16-15	25	1"	1.7/16"-12	1	24	18	54	38
6820-16-21	30-32	1.1/4"	1.11/16"-12	1	24	18	56	46
6820-20-21	30-32	1.1/4"	1.11/16"-12	1.1/4	25	18	56	46
6820-20-32	38	1.1/2"	2"-12	1.1/4	25	18	58	55
6820-24-32	38	1.1/2"	2"-12	1.1/2	25	18	59	55

6830 **Коннектор ORFS/NPTF**

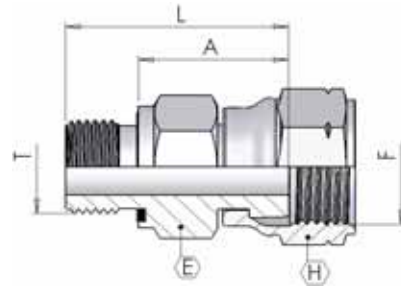
Male Connector ORFS/NPTF



part number	Ø tube		Dimensions					
	mm	inch	F	T	B	C	L	E
6830-02-06	6	1/4"	9/16"-18	1/8	10	10	27	16
6830-04-06	6	1/4"	9/16"-18	1/4	15	10	33	16
6830-04-09	8-10	5/16"-3/8"	11/16"-16	1/4	15	11	34	19
6830-04-11	12	1/2"	13/16"-16	1/4	15	13	36	22
6830-06-09	8-10	5/16"-3/8"	11/16"-16	3/8	15	11	34	19
6830-06-11	12	1/2"	13/16"-16	3/8	15	13	36	22
6830-06-13	14-16	5/8"	1"-14	3/8	15	16	40	27
6830-08-11	12	1/2"	13/16"-16	1/2	19	13	42	22
6830-08-13	14-16	5/8"	1"-14	1/2	19	16	45	27
6830-08-14	18-20	3/4"	1.3/16"-12	1/2	19	17	48	32
6830-12-13	14-16	5/8"	1"-14	3/4	19	16	47	27
6830-12-14	18-20	3/4"	1.3/16"-12	3/4	19	17	48	23
6830-12-15	25	1"	1.7/16"-12	3/4	19	18	49	38
6830-16-14	18-20	3/4"	1.3/16"-12	1	24	17	54	36
6830-16-15	25	1"	1.7/16"-12	1	24	18	54	38
6830-16-21	30-32	1.1/4"	1.11/16"-12	1	24	18	56	46
6830-20-21	30-32	1.1/4"	1.11/16"-12	1.1/4	25	18	56	46
6830-20-32	38	1.1/2"	2"-12	1.1/4	25	18	58	55
6830-24-32	38	1.1/2"	2"-12	1.1/2	25	18	59	55

6036 Коннектор штуцер-гайка ORFS/BSP

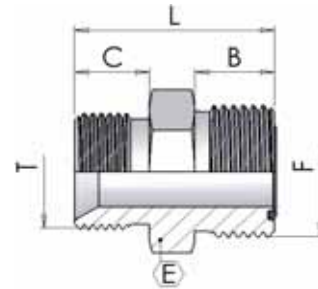
Swivel Nut Female ORFS/BSP with "ED" seal (DIN 3852 form E)



part number	Ø tube		Dimensions					
	mm	inch	F	T	A	L	E	H
6036-02-06	6	1/4"	9/16"-18	1/8	26	34	17	14
6036-04-06	6	1/4"	9/16"-18	1/4	26	38	17	19
6036-04-09	8-10	5/16"-3/8"	11/16"-16	1/4	28	40	22	19
6036-04-11	12	1/2"	13/16"-16	1/4	35	47	24	22
6036-06-09	8-10	5/16"-3/8"	11/16"-16	3/8	28	40	22	22
6036-06-11	12	1/2"	13/16"-16	3/8	35	47	24	22
6036-08-09	8-10	5/16"-3/8"	11/16"-16	1/2	28	42	22	27
6036-08-11	12	1/2"	13/16"-16	1/2	35	49	24	27
6036-08-13	14-15-16	5/8"	1"-14	1/2	38	52	30	27
6036-08-14	18-20	3/4"	1.3/16"-12	1/2	41	55	36	30
6036-12-13	14-15-16	5/8"	1"-14	3/4	38	54	30	32
6036-12-14	18-20	3/4"	1.3/16"-12	3/4	41	57	36	32
6036-16-15	22-25	1"	1.7/16"-12	1	49	67	41	41
6036-20-21	28-30-32	1.1/4"	1.11/16"-12	1.1/4	49	69	50	50
6036-24-32	35-38	1.1/2"	2"-12	1.1/2	50	72	60	55

6810 **Коннектор ORFS/BSP**

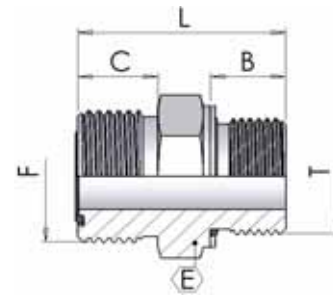
Коннектор ORFS/BSP



part number	Ø tube		Dimensions					
	mm	inch	F	T	B	C	L	E
6810-02-06	6	1/4"	9/16"-18	1/8-28	10	8	26	16
6810-04-09	8-10	5/16"-3/8"	11/16"-16	1/4-19	11	11	31	19
6810-06-11	12	1/2"	13/16"-16	3/8-19	13	12	35	22
6810-08-13	16	5/8"	1"-14	1/2-14	16	14	41	27
6810-12-14	20	3/4"	1.3/16"-12	3/4-11	17	16	46	32
6810-16-15	25	1"	1.7/16"-12	1-11	18	19	51	38
6810-20-21	32	1.1/4"	1.11/16"-12	1.1/4-11	18	20	54	46
6810-24-32	38	1.1/2"	2"-12	1.1/2-11	18	22	58	55

6800 **Коннектор ORFS/BSP уплотнительное**

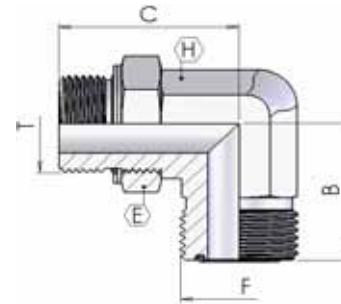
Male Connector ORFS/BSP O'Ring



part number	Ø tube		Dimensions					
	mm	inch	F	T	B	C	L	E
6800-02-06	6	1/4"	9/16"-18	1/8-28	8	10	25	16
6800-04-06	6	1/4"	9/16"-18	1/4-19	12	10	31	19
6800-04-09	8-10	5/16"-3/8"	11/16"-16	1/4-19	12	11	32	19
6800-04-11	12	1/2"	13/16"-16	1/4-19	12	13	36	22
6800-06-06	6	1/4"	9/16"-18	3/8-19	12	10	31	24
6800-06-09	8-10	5/16"-3/8"	11/16"-16	3/8-19	12	11	32	24
6800-06-11	12	1/2"	13/16"-16	3/8-19	12	13	34	24
6800-06-13	14-16	5/8"	1"-14	3/8-19	11	16	37	27
6800-08-09	8-10	5/16"-3/8"	11/16"-16	1/2-14	14	11	35	27
6800-08-11	12	1/2"	13/16"-16	1/2-14	14	13	37	27
6800-08-13	14-16	5/8"	1"-14	1/2-14	15	16	40	30
6800-08-14	18-20	3/4"	1.3/16"-12	1/2-14	14	17	47	32
6800-12-11	12	1/2"	13/16"-16	3/4-11	16	13	41	36
6800-12-13	14-16	5/8"	1"-14	3/4-11	15	16	44	36
6800-12-14	18-20	3/4"	1.3/16"-12	3/4-11	15	17	45	36
6800-12-15	25	1"	1.7/16"-12	3/4-11	16	18	50	38
6800-16-13	14-16	5/8"	1"-14	1-11	18	16	48	41
6800-16-14	18-20	3/4"	1.3/16"-12	1-11	18	17	48	41
6800-16-15	25	1"	1.7/16"-12	1-11	18	18	48	41
6800-16-21	30-32	1.1/4"	1.11/16"-12	1-11	18	18	55	46
6800-20-15	25	1"	1.7/16"-12	1.1/4-11	20	18	52	50
6800-20-21	30-32	1.1/4"	1.11/16"-12	1.1/4-11	20	18	52	50
6800-24-32	38	1.1/2"	2"-12	1.1/2-11	22	18	56	60

6215 Регулируемый коннектор 90° ORFS/BSP

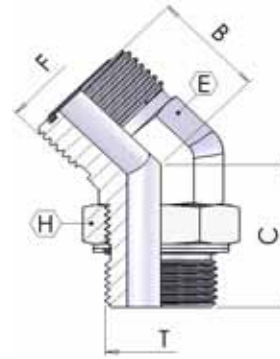
Adjustable Elbow ORFS/BSP



part number	Ø tube		Dimensions					
	mm	inch	F	T	B	C	H	E
6215-02-06	6	1/4"	9/16"-18	1/8-28	22	30	14	14
6215-04-06	6	1/4"	9/16"-18	1/4-19	24	36	19	19
6215-04-09	8-10	5/16"-3/8"	11/16"-16	1/4-19	25	36	19	19
6215-04-11	12	1/2"	13/16"-16	1/4-19	28	36	19	19
6215-06-06	6	1/4"	9/16"-18	3/8-19	25	39	19	24
6215-06-09	8-10	5/16"-3/8"	11/16"-16	3/8-19	27	39	19	24
6215-06-11	12	1/2"	13/16"-16	3/8-19	28	39	19	24
6215-06-13	14-16	5/8"	1"-14	3/8-19	34	44	27	24
6215-08-09	8-10	5/16"-3/8"	11/16"-16	1/2-14	30	49	27	27
6215-08-11	12	1/2"	13/16"-16	1/2-14	31	49	27	27
6215-08-14	18-20	3/4"	1.3/16"-12	1/2-14	38	50	30	27
6215-08-13	14-16	5/8"	1"-14	1/2-14	34	49	27	27
6215-12-11	12	1/2"	13/16"-16	3/4-11	34	52	30	36
6215-12-13	14-16	5/8"	1"-14	3/4-11	36	52	30	36
6215-12-14	18-20	3/4"	1.3/16"-12	3/4-11	38	52	30	36
6215-12-15	25	1"	1.7/16"-12	3/4-11	42	58	37	36
6215-16-14	18-20	3/4"	1.3/16"-12	1-11	41	59	37	41
6215-16-15	25	1"	1.7/16"-12	1-11	42	59	37	41
6215-16-21	30-32	1.1/4"	1.11/16"-12	1-11	45	61	41	41
6215-20-15	25	1"	1.7/16"-12	1.1/4-11	45	61	41	50
6215-20-21	30-32	1.1/4"	1.11/16"-12	1.1/4-11	45	61	41	50
6215-24-32	38	1.1/2"	2"-12	1.1/2-11	49	65	48	60

6260
**Регулируемый коннектор 45°
ORFS/BSP**

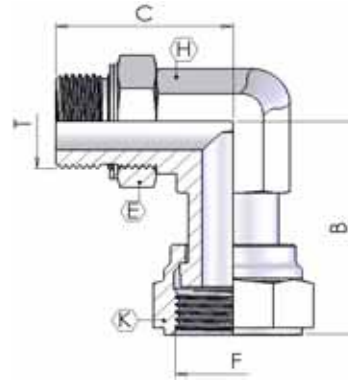
Adjustable 45° Elbow ORFS/BSP



part number	Ø tube		Dimensions					
	mm	inch	F	T	B	C	H	E
6260-02-06	6	1/4"	9/16"-18	1/8-28	22	27	14	14
6260-04-06	6	1/4"	9/16"-18	1/4-19	24	32	19	19
6260-04-09	8-10	5/16"-3/8"	11/16"-16	1/4-19	25	32	19	19
6260-04-11	12	1/2"	13/16"-16	1/4-19	28	33	19	19
6260-06-06	6	1/4"	9/16"-18	3/8-19	25	34	24	19
6260-06-09	8-10	5/16"-3/8"	11/16"-16	3/8-19	27	34	24	19
6260-06-11	12	1/2"	13/16"-16	3/8-19	28	34	24	19
6260-06-13	14-16	5/8"	1"-14	3/8-19	34	34	24	27
6260-08-09	8-10	5/16"-3/8"	11/16"-16	1/2-14	30	42	27	27
6260-08-11	12	1/2"	13/16"-16	1/2-14	31	42	27	27
6260-08-14	18-20	3/4"	1.3/16"-12	1/2-14	38	46	27	30
6260-08-13	14-16	5/8"	1"-14	1/2-14	34	42	27	27
6260-12-11	12	1/2"	13/16"-16	3/4-11	34	47	36	30
6260-12-13	14-16	5/8"	1"-14	3/4-11	36	47	36	30
6260-12-14	18-20	3/4"	1.3/16"-12	3/4-11	38	47	36	30
6260-12-15	25	1"	1.7/16"-12	3/4-11	42	47	36	37
6260-16-14	18-20	3/4"	1.3/16"-12	1-11	41	51	41	37
6260-16-15	25	1"	1.7/16"-12	1-11	45	51	41	37
6260-16-21	30-32	1.1/4"	1.11/16"-12	1-11	45	52	41	41
6260-20-15	25	1"	1.7/16"-12	1.1/4-11	45	52	50	41
6260-20-21	30-32	1.1/4"	1.11/16"-12	1.1/4-11	45	52	50	41
6260-24-32	38	1.1/2"	2"-12	1.1/2-11	49	52	60	48

6340 Регулируемый коннектор 90° с накладной гайкой ORFS/BSP

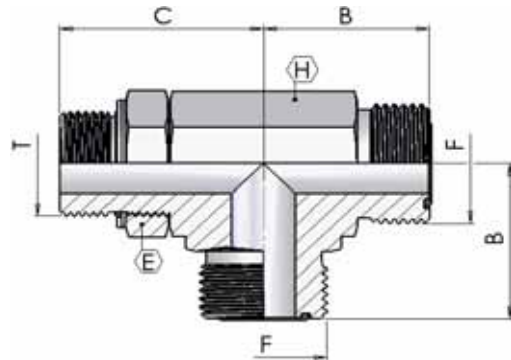
Adjustable Elbow with Swivel Nut ORFS/BSP



part number	Ø tube		Dimensions						
	mm	inch	F	T	B	C	E	H	K
6340-02-06	6	1/4"	9/16"-18	1/8"	27	30	14	14	19
6340-04-09	8-10	5/16"-3/8"	11/16"-16	1/4"	29	36	19	19	22
6340-06-11	12	1/2"	13/16"-16	3/8"	38	39	24	19	24
6340-08-13	14-16	5/8"	1"-14	1/2"	41	49	27	27	30
6340-12-14	18-20	3/4"	1.3/16"-12	3/4"	47	52	36	30	36
6340-16-15	25	1"	1.7/16"-12	1"	54	59	41	37	41
6340-20-21	30-32	1.1/4"	1.11/16"-12	1.1/4"	58	61	50	41	50
6340-24-32	38	1.1/2"	2"-12	1.1/2"	61	65	50	48	60

6460 Регулируемый тройник ORFS/BSP, боковое подключение

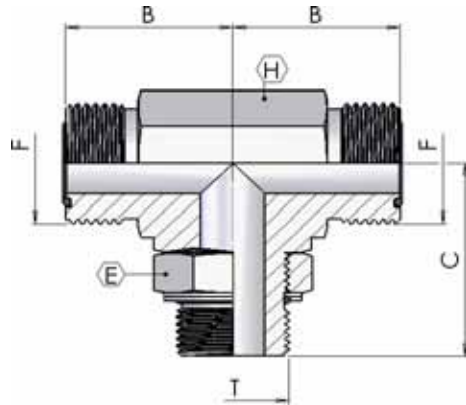
Adjustable Run Tee ORFS/BSP



part number	Ø tube		Dimensions					
	mm	inch	F	T	B	C	H	E
6460-02-06	6	1/4"	9/16"-18	1/8-28	22	30	14	14
6460-04-06	6	1/4"	9/16"-18	1/4-19	24	36	19	19
6460-04-09	8-10	5/16"-3/8"	11/16"-16	1/4-19	25	36	19	19
6460-04-11	12	1/2"	13/16"-16	1/4-19	28	36	19	19
6460-06-06	6	1/4"	9/16"-18	3/8-19	25	39	19	24
6460-06-09	8-10	5/16"-3/8"	11/16"-16	3/8-19	27	39	19	24
6460-06-11	12	1/2"	13/16"-16	3/8-19	28	39	19	24
6460-06-13	14-16	5/8"	1"-14	3/8-19	34	44	27	24
6460-08-09	8-10	5/16"-3/8"	11/16"-16	1/2-14	30	49	27	27
6460-08-11	12	1/2"	13/16"-16	1/2-14	31	49	27	27
6460-08-14	18-20	3/4"	1.3/16"-12	1/2-14	38	50	30	27
6460-08-13	14-16	5/8"	1"-14	1/2-14	34	49	27	27
6460-12-11	12	1/2"	13/16"-16	3/4-11	34	52	30	36
6460-12-13	14-16	5/8"	1"-14	3/4-11	36	52	30	36
6460-12-14	18-20	3/4"	1.3/16"-12	3/4-11	38	52	30	36
6460-12-15	25	1"	1.7/16"-12	3/4-11	42	58	37	36
6460-16-14	18-20	3/4"	1.3/16"-12	1-11	41	59	37	41
6460-16-15	25	1"	1.7/16"-12	1-11	42	59	37	41
6460-16-21	30-32	1.1/4"	1.11/16"-12	1-11	45	61	41	41
6460-20-15	25	1"	1.7/16"-12	1.1/4-11	45	61	41	50
6460-20-21	30-32	1.1/4"	1.11/16"-12	1.1/4-11	45	61	41	50
6460-24-32	38	1.1/2"	2"-12	1.1/2-11	49	65	48	60

**6410 Регулируемый тройник
ORFS/BSP, нижнее
подключение**

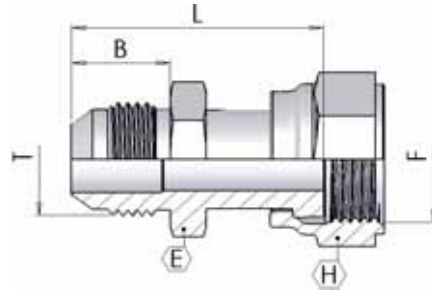
Adjustable Branch Tee ORFS/BSP



part number	Ø tube		Dimensions					
	mm	inch	F	T	B	C	H	E
6410-02-06	6	1/4"	9/16"-18	1/8-28	22	30	14	14
6410-04-06	6	1/4"	9/16"-18	1/4-19	24	36	19	19
6410-04-09	8-10	5/16"-3/8"	11/16"-16	1/4-19	25	36	19	19
6410-04-11	12	1/2"	13/16"-16	1/4-19	28	36	19	19
6410-06-06	6	1/4"	9/16"-18	3/8-19	25	39	19	24
6410-06-09	8-10	5/16"-3/8"	11/16"-16	3/8-19	27	39	19	24
6410-06-11	12	1/2"	13/16"-16	3/8-19	28	39	19	24
6410-06-13	14-16	5/8"	1"-14	3/8-19	34	44	27	24
6410-08-09	8-10	5/16"-3/8"	11/16"-16	1/2-14	30	49	27	27
6410-08-11	12	1/2"	13/16"-16	1/2-14	31	49	27	27
6410-08-14	18-20	3/4"	1.3/16"-12	1/2-14	38	50	30	27
6410-08-13	14-16	5/8"	1"-14	1/2-14	34	49	27	27
6410-12-11	12	1/2"	13/16"-16	3/4-11	34	52	30	36
6410-12-13	14-16	5/8"	1"-14	3/4-11	36	52	30	36
6410-12-14	18-20	3/4"	1.3/16"-12	3/4-11	38	52	30	36
6410-12-15	25	1"	1.7/16"-12	3/4-11	42	58	37	36
6410-16-14	18-20	3/4"	1.3/16"-12	1-11	41	59	37	41
6410-16-15	25	1"	1.7/16"-12	1-11	42	59	37	41
6410-16-21	30-32	1.1/4"	1.11/16"-12	1-11	45	61	41	41
6410-20-15	25	1"	1.7/16"-12	1.1/4-11	45	61	41	50
6410-20-21	30-32	1.1/4"	1.11/16"-12	1.1/4-11	45	61	41	50
6410-24-32	38	1.1/2"	2"-12	1.1/2-11	49	65	48	60

6125 **Коннектор гайка-штуцер ORFS/JIC**

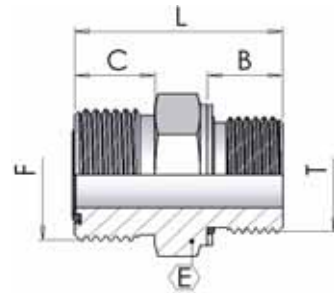
Swivel Nut Female ORFS/JIC



part number	Ø tube		Dimensions					
	mm	inch	F	T	B	L	E	H
6125-04-06	6	1/4"	9/16"-18	7/16-20	14	41	13	19
6125-06-09	8-10	5/16"-3/8"	11/16"-16	9/16-18	14	43	16	22
6125-08-11	12	1/2"	13/16"-16	3/4-16	17	53	22	24
6125-10-13	16	5/8"	1"-14	7/8-14	20	58	24	30
6125-12-14	20	3/4"	1.3/16"-12	1.1/16-12	22	64	30	36
6125-16-15	25	1"	1.7/16"-12	1.5/16-12	23	72	36	41
6125-20-21	32	1.1/4"	1.11/16"-12	1.5/8-12	25	74	42	50
6125-24-32	38	1.1/2"	2"-12	1.7/8-12	28	77	50	60

6900 **Коннектор ORFS/метрика DIN 3852-1**

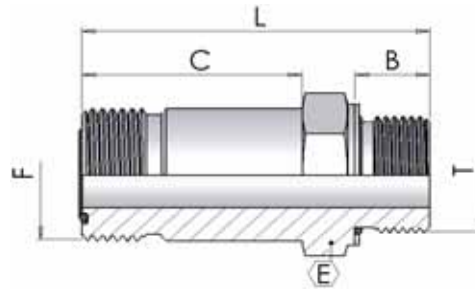
Коннектор ORFS/метрика DIN 3852-1



part number	Ø tube		Dimensions					
	mm	inch	F	T	B	C	L	E
6900-10-06	6	1/4"	9/16"-18	M10x1	9	34	26	16
6900-12-06	6	1/4"	9/16"-18	M12x1,5	12	34	29	17
6900-14-09	8-10	5/16"-3/8"	11/16"-16	M14x1,5	-	37	31	19
6900-16-09	8-10	5/16"-3/8"	11/16"-16	M16x1,5	13	37	33	22
6900-16-11	12	1/2"	13/16"-16	M16x1,5	-	45	38	22
6900-18-11	12	1/2"	13/16"-16	M18x1,5	14	45	36	24
6900-18-13	14-16	5/8"	1"-14	M18x1,5	-	53	43	27
6900-22-13	14-16	5/8"	1"-14	M22x1,5	15	53	41	30
6900-22-14	18-20	3/4"	1.3/16"-12	M22x1,5	-	64	-	32
6900-27-14	18-20	3/4"	1.3/16"-12	M27x2	19	64	48	36
6900-27-15	25	1"	1.7/16"-12	M27x2	-	73	-	38
6900-33-15	25	1"	1.7/16"-12	M33x2	19	73	50	41
6900-42-21	30-32	1.1/4"	1.11/16"-12	M42x2	19	87	53	50
6900-48-32	38	1.1/2"	2"-12	M48x2	22	97	55	60

**6920 Коннектор удлиненный
ORFS/метрика DIN 3852-2**

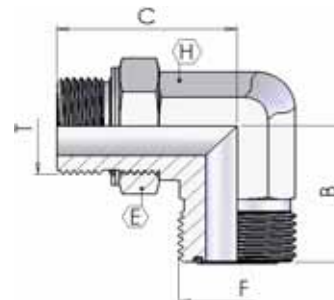
Long Male Connector ORFS/ Metric DIN 3852-1



part number	Ø tube		Dimensions					
	mm	inch	F	T	B	C	L	E
6920-10-06	6	1/4"	9/16"-18	M10x1	9	34	50	16
6920-12-06	6	1/4"	9/16"-18	M12x1,5	12	34	53	17
6920-14-09	8-10	5/16"-3/8"	11/16"-16	M14x1,5	-	37	57	19
6920-16-09	8-10	5/16"-3/8"	11/16"-16	M16x1,5	13	37	59	22
6920-16-11	12	1/2"	13/16"-16	M16x1,5	-	45	69	22
6920-18-11	12	1/2"	13/16"-16	M18x1,5	14	45	68	24
6920-18-13	14-16	5/8"	1"-14	M18x1,5	-	53	80	27
6920-22-13	14-16	5/8"	1"-14	M22x1,5	15	53	78	30
6920-22-14	18-20	3/4"	1.3/16"-12	M22x1,5	-	64	-	32
6920-27-14	18-20	3/4"	1.3/16"-12	M27x2	19	64	95	36
6920-27-15	25	1"	1.7/16"-12	M27x2	-	73	-	38
6920-33-15	25	1"	1.7/16"-12	M33x2	19	73	106	41
6920-42-21	30-32	1.1/4"	1.11/16"-12	M42x2	19	87	122	50
6920-48-32	38	1.1/2"	2"-12	M48x2	22	97	135	60

**6320 Регулируемый коннектор 90°
ORFS/метрика DIN 3852-3**

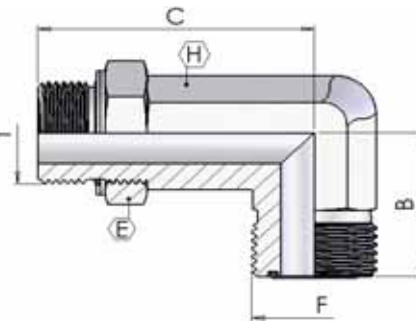
Adjustable Elbow ORFS/ Metric DIN 3852-1



part number	Ø tube		Dimensions					
	mm	inch	F	T	B	C	H	E
6320-10-06	6	1/4"	9/16"-18	M10x1	22	32	14	14
6320-12-06	6	1/4"	9/16"-18	M12x1,5	22	33	14	17
6320-14-09	8-10	5/16"-3/8"	11/16"-16	M14x1,5	25	37	19	19
6320-16-09	8-10	5/16"-3/8"	11/16"-16	M16x1,5	25	37	19	22
6320-16-11	12	1/2"	13/16"-16	M16x1,5	28	40	19	22
6320-18-11	12	1/2"	13/16"-16	M18x1,5	28	40	19	24
6320-18-13	14-16	5/8"	1"-14	M18x1,5	34	45	27	24
6320-22-13	14-16	5/8"	1"-14	M22x1,5	34	49	27	27
6320-22-14	18-20	3/4"	1.3/16"-12	M22x1,5	38	50	30	27
6320-27-14	18-20	3/4"	1.3/16"-12	M27x2	38	55	30	36
6320-27-15	25	1"	1.7/16"-12	M27x2	42	56	37	36
6320-33-15	25	1"	1.7/16"-12	M33x2	42	60	37	41
6320-42-21	30-32	1.1/4"	1.11/16"-12	M42x2	45	62	41	50
6320-48-32	38	1.1/2"	2"-12	M48x2	49	68	48	60

6940 **Удлиненный регулируемый коннектор 90° ORFS/метрика DIN 3852-4**

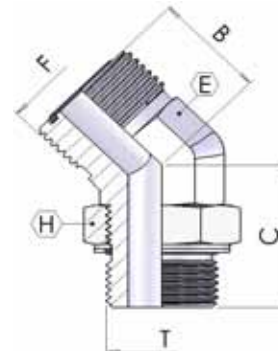
Long Adjustable Elbow ORFS/ Metric DIN 3852-1



part number	Ø tube		Dimensions					
	mm	inch	F	T	B	C	L	E
6940-10-06	6	1/4"	9/16"-18	M10x1	22	56	14	14
6940-12-06	6	1/4"	9/16"-18	M12x1,5	22	57	14	17
6940-14-09	8-10	5/16"-3/8"	11/16"-16	M14x1,5	25	66	19	19
6940-16-09	8-10	5/16"-3/8"	11/16"-16	M16x1,5	25	72	19	22
6940-16-11	12	1/2"	13/16"-16	M16x1,5	28	74	19	22
6940-18-11	12	1/2"	13/16"-16	M18x1,5	28	75	19	24
6940-18-13	14-16	5/8"	1"-14	M18x1,5	34	84	27	24
6940-22-13	14-16	5/8"	1"-14	M22x1,5	34	88	27	27
6940-22-14	18-20	3/4"	1.3/16"-12	M22x1,5	38	96	30	27
6940-27-14	18-20	3/4"	1.3/16"-12	M27x2	38	100	30	36
6940-27-15	25	1"	1.7/16"-12	M27x2	42	111	37	36
6940-33-15	25	1"	1.7/16"-12	M33x2	42	115	37	41
6940-42-21	30-32	1.1/4"	1.11/16"-12	M42x2	45	127	41	50
6940-48-32	38	1.1/2"	2"-12	M48x2	49	142	48	60

6270 **Регулируемый коннектор 45° ORFS/метрика DIN 3852-3**

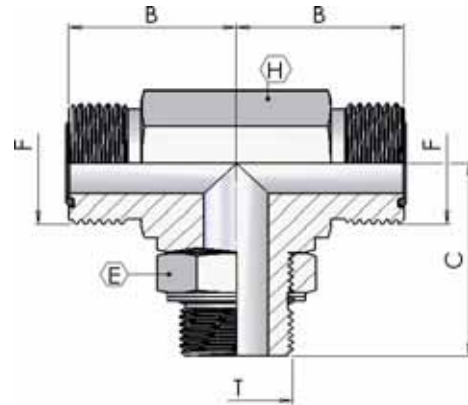
Adjustable 45° Elbow ORFS/ Metric DIN 3852-1



part number	Ø tube		Dimensions					
	mm	inch	F	T	B	C	H	E
6270-10-06	6	1/4"	9/16"-18	M10x1	16	30	14	14
6270-12-06	6	1/4"	9/16"-18	M12x1,5	16	30	14	17
6270-14-09	8-10	5/16"-3/8"	11/16"-16	M14x1,5	19	-	19	19
6270-16-09	8-10	5/16"-3/8"	11/16"-16	M16x1,5	19	34	19	22
6270-16-11	12	1/2"	13/16"-16	M16x1,5	21	-	19	22
6270-18-11	12	1/2"	13/16"-16	M18x1,5	21	37	19	24
6270-18-13	14-16	5/8"	1"-14	M18x1,5	24	-	27	24
6270-22-13	14-16	5/8"	1"-14	M22x1,5	24	44	27	27
6270-22-14	18-20	3/4"	1.3/16"-12	M22x1,5	26	-	30	27
6270-27-14	18-20	3/4"	1.3/16"-12	M27x2	26	51	30	36
6270-27-15	25	1"	1.7/16"-12	M27x2	30	-	37	36
6270-33-15	25	1"	1.7/16"-12	M33x2	30	53	37	41
6270-42-21	30-32	1.1/4"	1.11/16"-12	M42x2	32	54	41	50
6270-48-32	38	1.1/2"	2"-12	M48x2	37	57	48	60

**6420 Регулируемый тройник
ORFS/метрика DIN 3852-4, нижнее**

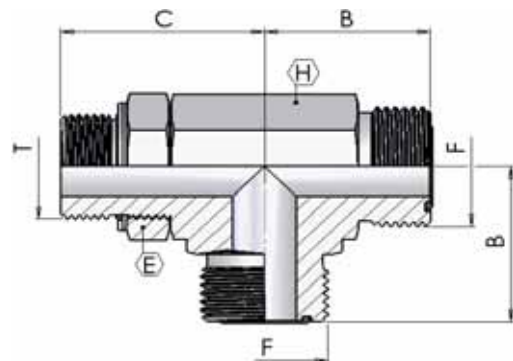
Adjustable Branch Tee ORFS/ Metric DIN 3852-1



part number	Ø tube		Dimensions					
	mm	inch	F	T	B	C	H	E
6420-10-06	6	1/4"	9/16"-18	M10x1	22	32	14	14
6420-12-06	6	1/4"	9/16"-18	M12x1,5	22	33	14	17
6420-14-09	8-10	5/16"-3/8"	11/16"-16	M14x1,5	25	37	19	19
6420-16-09	8-10	5/16"-3/8"	11/16"-16	M16x1,5	25	37	19	22
6420-16-11	12	1/2"	13/16"-16	M16x1,5	28	40	19	22
6420-18-11	12	1/2"	13/16"-16	M18x1,5	28	40	19	24
6420-18-13	14-16	5/8"	1"-14	M18x1,5	34	45	27	24
6420-22-13	14-16	5/8"	1"-14	M22x1,5	34	49	27	27
6420-22-14	18-20	3/4"	1.3/16"-12	M22x1,5	38	50	30	27
6420-27-14	18-20	3/4"	1.3/16"-12	M27x2	38	55	30	36
6420-27-15	25	1"	1.7/16"-12	M27x2	42	56	37	36
6420-33-15	25	1"	1.7/16"-12	M33x2	42	60	37	41
6420-42-21	30-32	1.1/4"	1.11/16"-12	M42x2	45	62	41	50
6420-48-32	38	1.1/2"	2"-12	M48x2	49	68	48	60

**6470 Регулируемый тройник
ORFS/метрика DIN 3852-4, боковое**

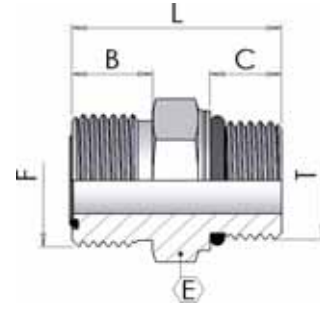
Adjustable Run Tee ORFS/ Metric DIN 3852-1



part number	Ø tube		Dimensions					
	mm	inch	F	T	B	C	H	E
6470-10-06	6	1/4"	9/16"-18	M10x1	22	32	14	14
6470-12-06	6	1/4"	9/16"-18	M12x1,5	22	33	14	17
6470-14-09	8-10	5/16"-3/8"	11/16"-16	M14x1,5	25	37	19	19
6470-16-09	8-10	5/16"-3/8"	11/16"-16	M16x1,5	25	37	19	22
6470-16-11	12	1/2"	13/16"-16	M16x1,5	28	40	19	22
6470-18-11	12	1/2"	13/16"-16	M18x1,5	28	40	19	24
6470-18-13	14-16	5/8"	1"-14	M18x1,5	34	45	27	24
6470-22-13	14-16	5/8"	1"-14	M22x1,5	34	49	27	27
6470-22-14	18-20	3/4"	1.3/16"-12	M22x1,5	38	50	30	27
6470-27-14	18-20	3/4"	1.3/16"-12	M27x2	38	55	30	36
6470-27-15	25	1"	1.7/16"-12	M27x2	42	56	37	36
6470-33-15	25	1"	1.7/16"-12	M33x2	42	60	37	41
6470-42-21	30-32	1.1/4"	1.11/16"-12	M42x2	45	62	41	50
6470-48-32	38	1.1/2"	2"-12	M48x2	49	68	48	60

**6840 Коннектор ORFS/метрика ISO
6149-2**

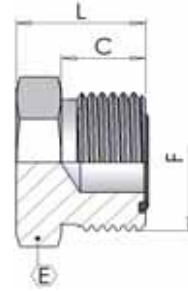
Male Connector ORFS/ Metric ISO 6149-2



part number	Ø tube		Dimensions						
	mm	inch	F	T	B	C	L	E	
6840-10-06	6	1/4"	9/16"-18	M10x1	9,8	9	27	17	
6840-12-06	6	1/4"	9/16"-18	M12x1,5	9,8	11	29	17	
6840-12-09	8-10	5/16"-3/8"	11/16"-16	M12x1,5	11,2	11	34	19	
6840-14-06	6	1/4"	9/16"-18	M14x1,5	9,8	11	30	19	
6840-14-09	8-10	5/16"-3/8"	11/16"-16	M14x1,5	11,2	11	31	19	
6840-14-11	12	1/2"	13/16"-16	M14x1,5	12,8	11	35	22	
6840-16-09	8-10	5/16"-3/8"	11/16"-16	M16x1,5	11,2	13	34	22	
6840-16-11	12	1/2"	13/16"-16	M16x1,5	12,8	13	37	24	
6840-18-09	8-10	5/16"-3/8"	11/16"-16	M18x1,5	11,2	14	35	24	
6840-18-11	12	1/2"	13/16"-16	M18x1,5	12,8	14	37	24	
6840-18-13	14-15-16	5/8"	1"-14	M18x1,5	15,5	14	41	27	
6840-22-09	8-10	5/16"-3/8"	11/16"-16	M22x1,5	11,2	15	38	27	
6840-22-11	12	1/2"	13/16"-16	M22x1,5	12,8	15	39	27	
6840-22-13	14-15-16	5/8"	1"-14	M22x1,5	15,5	15	42	27	
6840-22-14	18-20	3/4"	1.3/16"-12	M22x1,5	17,0	15	50	32	
6840-27-11	12	1/2"	13/16"-16	M27x2	12,8	18	44	32	
6840-27-14	18-20	3/4"	1.3/16"-12	M27x2	17,0	19	49	32	
6840-27-15	22-25	1"	1.7/16"-12	M27x2	17,5	18	54	41	
6840-33-14	18-20	3/4"	1.3/16"-12	M33x2	17,0	19	50	41	
6840-33-15	22-25	1"	1.7/16"-12	M33x2	17,5	18	52	41	
6840-33-21	28-30-32	1.1/4"	1.11/16"-12	M33x2	17,5	18	54	46	
6840-42-21	28-30-32	1.1/4"	1.11/16"-12	M42x2	17,5	19	55	50	
6840-42-32	35-38	1.1/2"	2"-12	M42x2	17,5	19	60	55	
6840-48-32	35-38	1.1/2"	2"-12	M48x2	17,5	21	57	55	

6600 Заглушка наружная резьба

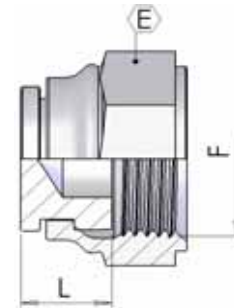
Male plug



part number	Dimensions			
	F	C	L	E
6600-06	9/16 - 18	10	17	17
6600-09	11/16 - 16	11	19	19
6600-11	13/16 - 16	13	22	22
6600-13	1 - 14	16	26	27
6600-14	1.3/16 - 12	17	27	32
6600-15	1.7/16 - 12	18	28	38
6600-21	1.11/16 - 12	18	28	46
6600-32	2 - 12	18	28	55

6610 Заглушка накидная гайка

Female Plug Swivel



part number	Dimensions			
	F		L	E
6610-06	9/16 - 18		13	19
6610-09	11/16 - 16		15	22
6610-11	13/16 - 16		15	24
6610-13	1 - 14		17	30
6610-14	1.3/16 - 12		16	36
6610-15	1.7/16 - 12		19	41
Съемная гайка 6610-21	1.11/16 - 12		22	50
Съемная гайка 6610-32	2 - 12		22	60

