


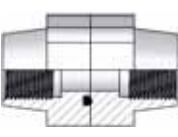




● ● ● ● ● ● ● ● **Flange SAE**

Страница / Page      4                      5                      6                      7                      8                      9

**BSP Flanges**

					
<b>FG0 (3/6)</b> BSP Threaded Flanges	<b>CG0 (3/6)</b> BSP Threaded Counter Flanges	<b>PG0 (3/6)</b> Bsp Threaded Flat Flanges	<b>DG0 (3/6)</b> BSP Threaded Double Flanges	<b>NG0 (3/6)</b> BSP Threaded 90° Flanges	<b>BG0 (3/6)</b> BSP Threaded 90° Flanges

Страница / Page      10                      11                      12                      13



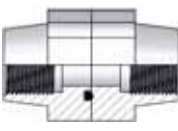

**BSP Flanges**

			
<b>FDG (3/6)</b> 60° Tapered Seat BSP Threaded Flanges	<b>NOG (3/6)</b> 90° Flanges With 60° Tapered Seat And BSP	<b>FDD (3/6)</b> DIN 2353 Metric Threaded Flanges	<b>NOD (3/6)</b> DIN 2353 Metric Threaded 90° Flanges

**METRIC Flanges**



Страница / Page      14                      15                      16                      17

**NPT Flanges**

			
<b>FN0 (3/6)</b> NPT Threaded Flanges	<b>CN0 (3/6)</b> NPT Threaded Counter Flanges	<b>DN0 (3/6)</b> NPT Threaded Double Flanges	<b>NN0 (3/6)</b> NPT Threaded 90° Flanges

Страница / Page      18                      19                      20                      21                      22


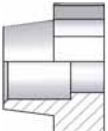

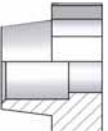
**JIC Flanges**

				
<b>FDJ (3/6)</b> JIC Threaded Flanges	<b>NOJ (3/6)</b> JIC Threaded 90° Flanges	<b>FU0 (3/6)</b> UN Threaded Flanges	<b>CU0 (3/6)</b> UN Threaded Counter Flanges	<b>NU0 (3/6)</b> UN Threaded 90° Flanges

**UN Flanges**





Страница / Page      23                      24                      25                      26

**Weld in Flanges**

			
<b>FS0 (3/6)</b> Weld In Flanges	<b>CS0 (3/6)</b> Weld In Counter Flanges	<b>FSM (3/6)</b> Metric Pipe Weld In Flanges	<b>CSM (3/6)</b> Metric Pipe Weld In Counter Flanges

Страница / Page      27                      28                      29                      30

**Weld in Flanges**

			
<b>NS0 (3/6)</b> Weld In 90° Flanges	<b>NSM (3/6)</b> Metric Pipe Weld In 90° Flanges	<b>VSM (3/6)</b> Weld In 90° Counter Flanges	<b>BS0 (3/6)</b> Weld In 90° Flanges

Dimensions and general characteristics may be changed at any time without prior notice.

Data contained herein are for information purpose only, and it does not enlarge, amend or imply any warranty other than provided by us with the product  
Any use of the product not in conformance with our instructions may be dangerous.

● ● ● ● ● ● ● ● **Flange SAE**

Страница / Page      31                      32                                      33                                      33

**Weld in flat Flanges**



**PS0 (3)**

Weld In Flat Flanges



**LS0 (3)**

Weld In Flat Counter Flanges

**Flat Flanges**



**FFTR**

Pocket Flat Flanges



**FFOR**

Flat Flanges With Through Hole

Страница / Page      34                                      35

**Oval Flanges**



**FFOR (2F)**

Oval Flanges With Through Hole

**Check Pressure**



**FFC (3/6)**

Check Pressure SAE Flange

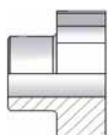
Страница / Page      36                      37                      38                                      39                                      40

**Weld on Flanges**



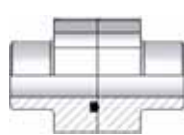
**FB0 (3/6)**

Weld on Flanges



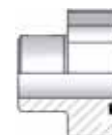
**CB0 (3/6)**

Weld on Counter Flanges



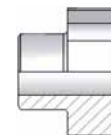
**DB0 (3/6)**

Weld on Double Flanges



**FBM (3/6)**

Metric Pipe Cylindric Hole Weld On Flanges



**CBM (3/6)**

Metr. Pipe Cyl. Hole weld on counter flanges

Страница / Page      41                      42                                      43                                      44

**Weld on Flanges**



**BB0 (3/6)**

Weld On 90° Flanges



**NB0 (3/6)**

Weld On 90° Flanges

**Blind Flanges**



**FC0 (3/6)**

Blind Flanges



**CC0 (3/6)**

Blind Counter Flanges

Страница / Page      45                      46                      47                                      48

**Split Flanges**



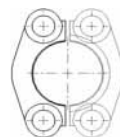
**S00 (3/6)**

Cut Split Flanges



**S10 (3/6)**

Uncut Split Flanges



**S0P (3/6)**

Cut Flat Split Flanges

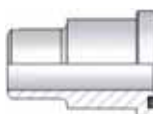


**SIP (3/6)**

Uncut Flat Split Flanges

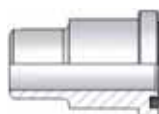
Страница / Page      49                                      50

**Weld on Adapters**



**EBM (3/6)**

Weld On Adapters for Metric Tube



**EBO (3/6)**

Weld On Adapters

Dimensions and general characteristics may be changed at any time without prior notice.

Data contained herein are for information purpose only, and it does not enlarge, amend or imply any warranty other than provided by us with the product. Any use of the product not in conformance with our instructions may be dangerous.

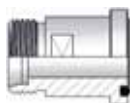
● ● ● ● ● ● ● **Flange SAE**

Страница / Page      51      52

**Threaded  
Adapters**



**EOK (3/6)**  
BSP Tapered Threaded  
Adapters



**EOD (3/6)**  
DIN 2353 Metric  
Threaded Adapters

Страница / Page      53      54      55      56

**Pump  
Connect.**



**MDD0**  
DIN 2353 Metr. Threaded Straight Connect.



**G4D0**  
DIN 2353 Metr. Threaded 90° Connect.



**G4G0**  
BSP Threaded 90° Connectors



**G3G0**  
Pump elbows with three fixing holes

Страница / Page      57      58

**Screws-o'r,  
washers**



**SCM (3/6)**  
Набор фланца SAE  
(Метрика)



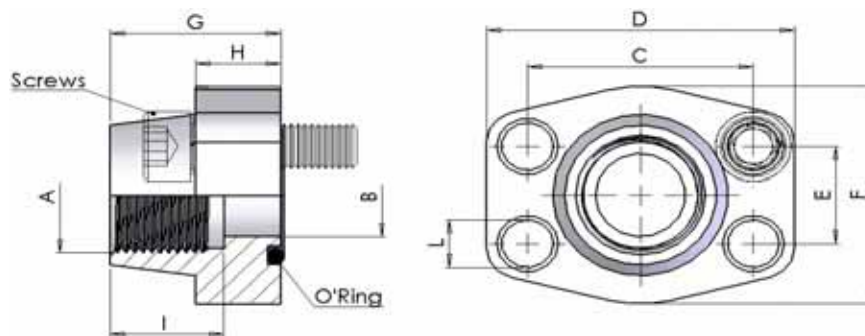
**SCU (3/6)**  
Набор фланца SAE  
(UNC)

Dimensions and general characteristics may be changed at any time without prior notice.

Data contained herein are for information purpose only, and it does not enlarge, amend or imply any warranty other than provided by us with the product  
Any use of the product not in conformance with our instructions may be dangerous.

**FG03**
**Головка фланца резьбовая BSP**
**FG06**

BSP Threaded Flanges



max pressure bar	part number	SAE size	Dimensions										Viti Screws		O' R type
			A	B	C	D	E	F	G	H	I	L	Metric	Unc	

**3000 psi**

345	<b>FG03-08</b>	1/2"	1/2" GAS	13	38,10	57	17,48	46	36	16	19	9	M8x30	5/16x1"1/4	4075
	<b>FG03-0806</b>	1/2"	3/8" GAS	13	38,10	57	17,48	46	36	16	19	9	M8x30	5/16x1"1/4	4075
	<b>FG03-12</b>	3/4"	3/4" GAS	19	47,63	65	22,23	50	36	18	19	11	M10x35	3/8x1"1/2	4100
	<b>FG03-1208</b>	3/4"	1/2" GAS	13	47,63	65	22,23	50	36	18	19	11	M10x35	3/8x1"1/2	4100
	<b>FG03-16</b>	1"	1" GAS	25	52,37	70	26,19	55	38	18	22	11	M10x35	3/8x1"1/2	4131
	<b>FG03-1612</b>	1"	3/4" GAS	19	52,37	70	26,19	55	35	21	19	11	M10x40	3/8x1"1/2	4131
276	<b>FG03-20</b>	1"1/4	1"1/4 GAS	32	58,72	79	30,18	68	40	21	22	11,5	M10x40	7/16x1"3/4	4150
	<b>FG03-2016</b>	1"1/4	1" GAS	25	58,72	81	30,18	65	42	25	24	11,5	M10x40	7/16x1"3/4	4150
207	<b>FG03-24</b>	1"1/2	1"1/2 GAS	38	69,85	93	35,71	78	45	25	24	13,5	M12x45	1/2x1"3/4	4187
	<b>FG03-2420</b>	1"1/2	1"1/4 GAS	32	69,85	95	35,71	78	45	27	24	13,5	M12x45	1/2x1"3/4	4187
	<b>FG03-32</b>	2"	2" GAS	51	77,77	102	42,88	90	45	25	30	13,5	M12x45	1/2x1"3/4	4225
	<b>FG03-3224</b>	2"	1"1/2 GAS	38	77,77	102	42,88	90	45	25	26	13,5	M12x45	1/2x1"3/4	4225
172	<b>FG03-40</b>	2"1/2	2"1/2 GAS	63	88,90	114	50,80	105	50	25	30	13,5	M12x45	1/2x1"3/4	4275
173	<b>FG03-4032</b>	2"1/2	2" GAS	51	88,90	114	50,80	105	50	25	30	13,5	M12x45	1/2x1"3/4	4275
138	<b>FG03-48</b>	3"	3" GAS	73	106,38	134	61,93	124	50	27	34	17,5	M16x50	5/8x2"	4337
	<b>FG03-4840</b>	3"	2"1/2 GAS	63	106,38	134	61,93	124	50	27	30	17,5	M16x50	5/8x2"	4337
34	<b>FG03-56</b>	3"1/2	3"1/2 GAS	89	120,65	152	69,85	136	48	27	34	17,5	M16x50	5/8x2"	4387
	<b>FG03-5648</b>	3"1/2	3" GAS	73	120,65	152	69,85	136	48	27	34	17,5	M16x50	5/8x2"	4387
	<b>FG03-64</b>	4"	4" GAS	99	130,18	162	77,77	146	48	27	34	17,5	M16x50	5/8x2"	4437

**6000 psi**

414	<b>FG06-08</b>	1/2"	1/2" GAS	13	40,49	57	18,24	46	36	16	19	9	M8x30	5/16x1"1/4	4075
	<b>FG06-0806</b>	1/2"	3/8" GAS	13	40,49	57	18,24	46	36	16	19	9	M8x30	5/16x1"1/4	4075
	<b>FG06-12</b>	3/4"	3/4" GAS	19	50,80	71	23,80	55	35	21	22	11	M10x40	3/8x1"1/2	4100
	<b>FG06-1208</b>	3/4"	1/2" GAS	13	50,80	71	23,80	55	35	21	22	11	M10x40	3/8x1"1/2	4100
	<b>FG06-16</b>	1"	1" GAS	25	57,15	81	27,76	65	42	25	24	13	M12x45	7/16x1"3/4	4131
	<b>FG06-1612</b>	1"	3/4" GAS	19	57,15	81	27,76	65	42	25	24	13	M12x45	7/16x1"3/4	4131
	<b>FG06-20</b>	1"1/4	1"1/4 GAS	32	66,68	95	31,75	78	45	27	25	15	M14x45	1/2x1"3/4	4150
	<b>FG06-2016</b>	1"1/4	1" GAS	25	66,68	95	31,75	78	45	27	25	15	M14x45	1/2x1"3/4	4150
	<b>FG06-24</b>	1"1/2	1"1/2 GAS	38	79,38	112	36,50	94	50	30	28	17	M16x50	5/8x2"	4187
	<b>FG06-2420</b>	1"1/2	1"1/4 GAS	32	79,38	112	36,50	94	50	30	28	17	M16x50	5/8x2"	4187
	<b>FG06-32</b>	2"	2" GAS	51	96,82	134	44,45	114	65	37	30	21	M20x70	3/4x2"1/2	4225
	<b>FG06-3224</b>	2"	1"1/2 GAS	38	96,82	134	44,45	114	65	37	30	21	M20x70	3/4x2"1/2	4225
	<b>FG06-40</b>	2"1/2	2"1/2 GAS	63	123,80	180	58,70	152	80	45	32	26	M24x80	-	4275
	<b>FG06-48</b>	3"	3" GAS	73	152,40	208	71,40	178	90	55	40	33	M30x100	-	4337

Как заказать / How to Order:

Только фланец / Only Flange

**FG0...08**

 Фланец в комплекте с болтами UNC, шайбами и уплотнительным кол  
 Complete flange with UNC screws, washers and o'ring

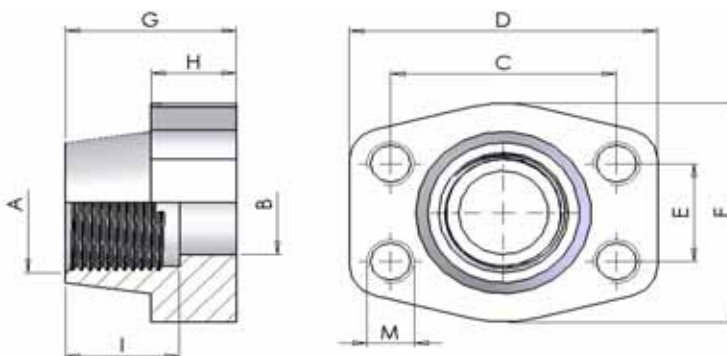
**FG0...08U**

 Фланец в комплекте с метрическими болтами, шайбами и уплотните  
 Complete flange with metric screws, washers and o'ring

**FG0...08M**

**CG03** Резьбовая ответная  
**CG06** часть фланца BSP

BSP Threaded Counter-Flanges



max pressure bar	part number	SAE size	Dimensions									Metric M	Unc
			A	B	C	D	E	F	G	H	I		

**3000 psi**

345	<b>CG03-08</b>	1/2"	1/2" GAS	13	38,10	57	17,48	46	36	16	19	M8	5/16
	<b>CG03-0806</b>	1/2"	3/8" GAS	13	38,10	57	17,48	46	36	16	19	M8	5/16
	<b>CG03-12</b>	3/4"	3/4" GAS	19	47,63	65	22,23	50	36	18	19	M10	3/8
	<b>CG03-1208</b>	3/4"	1/2" GAS	13	47,63	65	22,23	50	36	18	19	M10	3/8
	<b>CG03-16</b>	1"	1" GAS	25	52,37	70	26,19	55	38	18	22	M10	3/8
	<b>CG03-1612</b>	1"	3/4" GAS	19	52,37	70	26,19	55	35	21	19	M10	3/8
276	<b>CG03-20</b>	1 1/4"	1 1/4" GAS	32	58,72	79	30,18	68	40	21	22	M10	7/16
	<b>CG03-2016</b>	1 1/4"	1" GAS	25	58,72	81	30,18	65	42	25	24	M10	7/16
207	<b>CG03-24</b>	1 1/2"	1 1/2" GAS	38	69,85	93	35,71	78	45	25	24	M12	1/2
	<b>CG03-2420</b>	1 1/2"	1 1/4" GAS	32	69,85	95	35,71	78	45	27	24	M12	1/2
	<b>CG03-32</b>	2"	2" GAS	51	77,77	102	42,88	90	45	25	30	M12	1/2
	<b>CG03-3224</b>	2"	1 1/2" GAS	38	77,77	102	42,88	90	45	25	26	M12	1/2
172	<b>CG03-40</b>	2 1/2"	2 1/2" GAS	63	88,90	114	50,80	105	50	25	30	M12	1/2
173	<b>CG03-4032</b>	2 1/2"	2" GAS	51	88,90	114	50,80	105	50	25	30	M12	1/2
138	<b>CG03-48</b>	3"	3" GAS	73	106,38	134	61,93	124	50	27	34	M16	5/8
	<b>CG03-4840</b>	3"	2 1/2" GAS	63	106,38	134	61,93	124	50	27	30	M16	5/8
34	<b>CG03-56</b>	3 1/2"	3 1/2" GAS	89	120,65	152	69,85	136	48	27	34	M16	5/8
	<b>CG03-5648</b>	3 1/2"	3" GAS	73	120,65	152	69,85	136	48	27	34	M16	5/8
	<b>CG03-64</b>	4"	4" GAS	99	130,18	162	77,77	146	48	27	34	M16	5/8

**6000 psi**

414	<b>CG06-08</b>	1/2"	1/2" GAS	13	40,49	57	18,24	46	36	16	19,0	M8	5/16
	<b>CG06-0806</b>	1/2"	3/8" GAS	13	40,49	57	18,24	46	36	16	19,0	M8	5/16
	<b>CG06-12</b>	3/4"	3/4" GAS	19	50,80	71	23,80	55	35	21	22,0	M10	3/8
	<b>CG06-1208</b>	3/4"	1/2" GAS	13	50,80	71	23,80	55	35	21	22,0	M10	3/8
	<b>CG06-16</b>	1"	1" GAS	25	57,15	81	27,76	65	42	25	24,0	M12	7/16
	<b>CG06-1612</b>	1"	3/4" GAS	19	57,15	81	27,76	65	42	25	24,0	M12	7/16
	<b>CG06-20</b>	1 1/4"	1 1/4" GAS	32	66,68	95	31,75	78	45	27	25,0	M14	1/2
	<b>CG06-2016</b>	1 1/4"	1" GAS	25	66,68	95	31,75	78	45	27	25,0	M14	1/2
	<b>CG06-24</b>	1 1/2"	1 1/2" GAS	38	79,38	112	36,50	94	50	30	28,0	M16	5/8
	<b>CG06-2420</b>	1 1/2"	1 1/4" GAS	32	79,38	112	36,50	94	50	30	28,0	M16	5/8
	<b>CG06-23</b>	2"	2" GAS	51	96,82	134	44,45	114	65	37	30,0	M20	3/4
	<b>CG06-3224</b>	2"	1 1/2" GAS	38	96,82	134	44,45	114	65	37	30,0	M20	3/4
	<b>CG06-40</b>	2 1/2"	2 1/2" GAS	63	123,80	180	58,70	152	80	45	32,0	M24	-
	<b>CG06-48</b>	3"	3" GAS	73	152,40	208	71,40	178	90	55	40,0	M30	-

Как заказать / How to Order:

Ответная часть фланца под соединение метрическими болтами  
Counter flange with metric tapholes

CG0...08

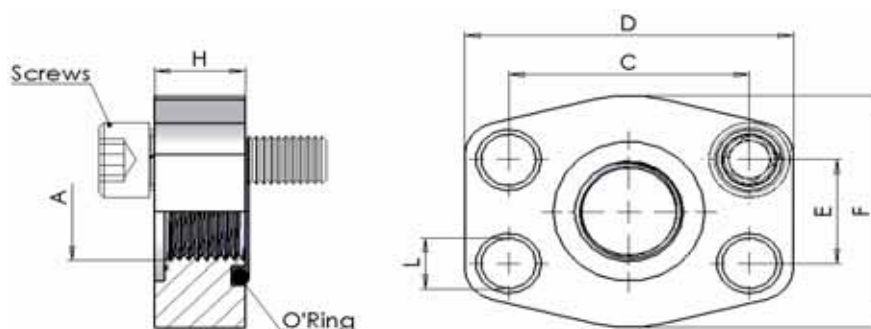
Ответная часть фланца под соединение болтами UNC  
Counter flange with UNC tapholes

CG0...08U



**PG03** Головка фланца BSP,  
**PG06** плоская

BSP Threaded Flat Flanges



max pressure bar	part number	SAE size	Dimensions							Viti Screws		O' R type
			A	C	D	E	F	H	L	Metric	Unc	

**3000 psi**

345	<b>PG03-12</b>	3/4"	3/4" GAS	47,63	65	22,23	50	15	11	M10x35	3/8x1"1/2	4100
	<b>PG03-1208</b>	3/4"	1/2" GAS	47,63	65	22,23	50	15	11	M10x35	3/8x1"1/2	4100
300	<b>PG03-16</b>	1"	1" GAS	52,37	70	26,19	60	19	11	M10x35	3/8x1"1/2	4131
	<b>PG03-1612</b>	1"	3/4" GAS	52,37	70	26,19	60	19	11	M10x35	3/8x1"1/2	4131
276	<b>PG03-20</b>	1"1/4	1"1/4 GAS	58,72	79	30,18	68	19	11,5	M10x40	7/16x1"3/4	4150
	<b>PG03-2016</b>	1"1/4	1" GAS	58,72	79	30,18	68	19	11,5	M10x40	7/16x1"3/4	4150
207	<b>PG03-24</b>	1"1/2	1"1/2 GAS	69,85	93	35,71	78	19	13,5	M12x45	1/2x1"3/4	4187
	<b>PG03-2420</b>	1"1/2	1"1/4 GAS	69,85	93	35,71	78	19	13,5	M12x45	1/2x1"3/4	4187
	<b>PG03-32</b>	2"	2" GAS	77,77	102	42,88	90	19	13,5	M12x45	1/2x1"3/4	4225
	<b>PG03-3224</b>	2"	1"1/2 GAS	77,77	102	42,88	90	19	13,5	M12x45	1/2x1"3/4	4225
172	<b>PG03-40</b>	2"1/2	2"1/2 GAS	88,90	114	50,80	105	19	13,5	M12x45	1/2x1"3/4	4275
	<b>PG03-4032</b>	2"1/2	2" GAS	88,90	114	50,80	105	19	13,5	M12x45	1/2x1"3/4	4275
138	<b>PG03-48</b>	3"	3" GAS	106,38	134	61,83	124	23	17,5	M16x50	5/8x2"	4337
	<b>PG03-4840</b>	3"	2"1/2 GAS	106,38	134	61,83	124	23	17,5	M16x50	5/8x2"	4337
34	<b>PG03-56</b>	3"1/2	3"1/2 GAS	120,65	152	69,85	136	21	17,5	M16x50	5/8x2"	4387
	<b>PG03-5648</b>	3"1/2	3" GAS	120,65	152	69,85	136	21	17,5	M16x50	5/8x2"	4387
	<b>PG03-64</b>	4"	4" GAS	130,18	162	77,77	146	24	17,5	M16x50	5/8x2"	4437
	<b>PG03-6456</b>	4"	3"1/2 GAS	130,18	162	77,77	146	24	17,5	M16x50	5/8x2"	4437

**6000 psi**

414	<b>PG06-12</b>	3/4"	3/4" GAS	50,80	71	23,80	60	19	11	M10x35	3/8x1"1/2	4100
	<b>PG06-1208</b>	3/4"	1/2" GAS	50,80	71	23,80	60	19	11	M10x35	3/8x1"1/2	4100
	<b>PG06-16</b>	1"	1" GAS	57,15	81	27,76	70	23	13	M12x45	7/16x1"3/4	4131
	<b>PG06-1612</b>	1"	3/4" GAS	57,15	81	27,76	70	23	13	M12x45	7/16x1"3/4	4131
	<b>PG06-20</b>	1"1/4	1"1/4 GAS	66,68	95	31,75	78	26	15	M14x45	1/2x1"3/4	4150
	<b>PG06-2016</b>	1"1/4	1" GAS	66,68	95	31,75	78	26	15	M14x45	1/2x1"3/4	4150
	<b>PG06-24</b>	1"1/2	1"1/2 GAS	79,38	112	36,50	94	29	17	M16x50	5/8x2"	4187
	<b>PG06-2420</b>	1"1/2	1"1/4 GAS	79,38	112	36,50	94	29	17	M16x50	5/8x2"	4187
	<b>PG06-32</b>	2"	2" GAS	96,82	134	44,45	114	28	21	M20x60	3/4x2"1/2	4225
	<b>PG06-4024</b>	1"1/2	1"1/2 GAS	96,82	134	44,45	114	28	21	M20x60	3/4x2"1/2	4225

Как заказать / How to Order:

Только фланец / Only Flange

PG0...12

Фланец в комплекте с болтами UNC, шайбами и уплотнительным кол  
Complete flange with UNC screws, washers and o'ring

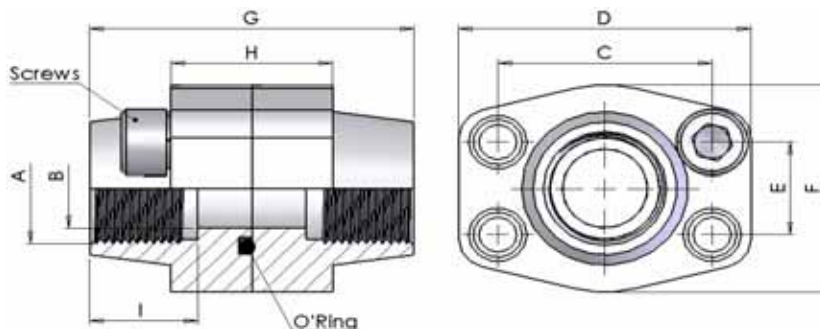
PG0...12U

Фланец в комплекте с метрическими болтами, шайбами и уплотните  
Complete flange with metric screws, washers and o'ring

PG0...12M

**DG03** Парный Фланец, резьба BSP  
**DG06**

BSP Threaded Double Flanges



max pressure bar	part number	SAE size	Dimensions									Viti Screws		O' R type
			A	B	C	D	E	F	G	H	I	Metric	Unc	

**3000 psi**

345	DG03-08	1/2"	1/2" GAS	13	38,10	57	17,48	46	72	32	19	M8x30	5/16x1"1/4	4075
	DG03-0806	1/2"	3/8" GAS	13	38,10	57	17,48	46	72	32	19	M8x30	5/16x1"1/4	4075
	DG03-12	3/4"	3/4" GAS	19	47,63	65	22,23	50	72	36	19	M10x35	3/8x1"1/2	4100
	DG03-1208	3/4"	1/2" GAS	13	47,63	65	22,23	50	72	36	19	M10x35	3/8x1"1/2	4100
	DG03-16	1"	1" GAS	25	52,37	70	26,19	55	46	36	22	M10x40	3/8x1"1/2	4131
	DG03-1612	1"	3/4" GAS	19	52,37	70	26,19	55	70	42	19	M10x40	3/8x1"1/2	4131
276	DG03-20	1"1/4	1"1/4 GAS	32	58,72	79	30,18	68	82	42	22	M10x40	7/16x1"3/4	4150
	DG03-2016	1"1/4	1" GAS	25	58,72	81	30,18	65	84	50	24	M12x45	7/16x1"3/4	4150
207	DG03-24	1"1/2	1"1/2 GAS	38	69,85	93	35,71	78	90	50	24	M12x45	1/2x1"3/4	4187
	DG03-2420	1"1/2	1"1/4 GAS	32	69,85	95	35,71	78	90	54	24	M12x45	1/2x1"3/4	4187
	DG03-32	2"	2" GAS	51	77,77	102	42,88	90	90	50	30	M12x45	1/2x1"3/4	4225
	DG03-3224	2"	1"1/2 GAS	38	77,77	102	42,88	90	90	50	26	M12x45	1/2x1"3/4	4225
172	DG03-40	2"1/2	2"1/2 GAS	63	88,90	114	50,80	105	100	50	30	M12x45	1/2x1"3/4	4275
	DG03-4032	2"1/2	2" GAS	51	88,90	114	50,80	105	100	50	30	M16x50	1/2x1"3/4	4275
138	DG03-48	3"	3" GAS	73	106,38	134	61,93	124	100	54	34	M16x50	5/8"x2	4337
	DG03-4840	3"	2"1/2 GAS	63	106,38	134	61,93	124	100	54	30	M16x50	5/8"x2	4337
34	DG03-56	3"1/2	3"1/2 GAS	89	120,65	152	69,85	136	96	54	34	M16x50	5/8"x2	4387
	DG03-5648	3"1/2	3" GAS	73	120,65	152	69,85	136	96	54	34	M16x50	5/8"x2	4387
	DG03-64	4"	4" GAS	99	130,18	162	77,77	146	96	54	34	M16x50	5/8"x2	4437
	DG03-6456	4"	3"1/2 GAS	89	130,18	162	77,77	146	96	54	34	M16x50	5/8"x2	4437

**6000 psi**

414	DG06-08	1/2"	1/2" GAS	13	40,49	57	18,24	46	72	32	19	M8x30	5/16x1"1/4	4075
	DG06-0806	1/2"	3/8" GAS	13	40,49	57	18,24	46	72	32	19	M8x30	5/16x1"1/4	4075
	DG06-12	3/4"	3/4" GAS	19	50,80	71	23,80	55	70	42	19	M10x40	3/8x1"1/2	4100
	DG06-1208	3/4"	1/2" GAS	13	50,80	71	23,80	55	70	42	19	M10x40	3/8x1"1/2	4100
	DG06-16	1"	1" GAS	25	57,15	81	27,76	65	84	50	22	M12x45	7/16x1"3/4	4131
	DG06-1612	1"	3/4" GAS	19	57,15	81	27,76	65	84	50	22	M12x45	7/16x1"3/4	4131
	DG06-20	1"1/4	1"1/4 GAS	32	66,68	95	31,75	78	90	54	23	M14x45	1/2x1"3/4	4150
	DG06-2016	1"1/4	1" GAS	25	66,68	95	31,75	78	90	54	23	M14x45	1/2x1"3/4	4150
	DG06-24	1"1/2	1"1/2 GAS	38	79,38	112	36,50	94	100	60	26	M16x50	5/8"x2	4187
	DG06-2420	1"1/2	1"1/4 GAS	32	79,38	112	36,50	94	100	60	26	M16x50	5/8"x2	4187
	DG06-32	2"	2" GAS	51	96,82	134	44,45	114	130	74	30	M20x70	3/4x2"1/2	4225
	DG06-3224	2"	1"1/2 GAS	38	96,82	134	44,45	114	130	74	30	M20x70	3/4x2"1/2	4225

Как заказать / How to Order:

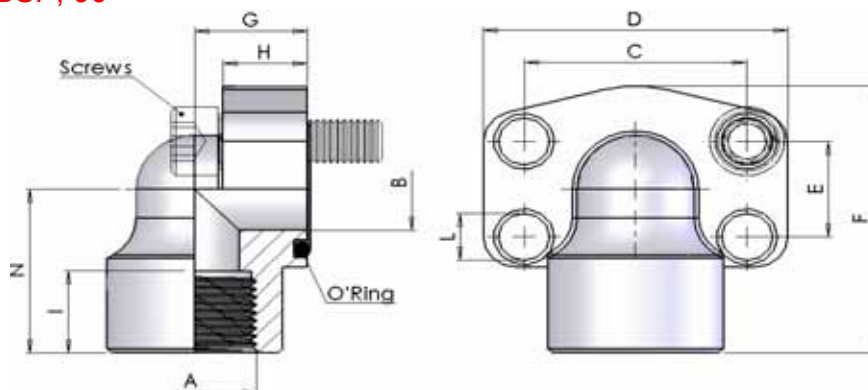
 Парный фланец в комплекте с метрическими болтами, шайбами и уп  
 Complete double flange with metrical screws, washers and o-ring DG0...08

 Парный фланец в комплекте с болтами UNC, шайбами и уплотнител  
 Complete double flange with UNC screws, washers and o-ring DG0...08U

NG03  
NG06

## Головка фланца резьбового, BSP, 90°

BSP Threaded 90° Flanges



max pressure bar	part number	SAE size	Dimensions											Viti Screws		O' R type
			A	B	C	D	E	F	G	H	I	L	N	Metric	Unc	

### 3000 psi

345	NG03-08	1/2"	1/2" GAS	13	38,10	54	17,48	60	20	16	19	9	37	M8x30	5/16x1"1/4	4075
	NG03-0806	1/2"	3/8" GAS	13	38,10	54	17,48	60	20	16	19	9	37	M8x30	5/16x1"1/4	4075
	NG03-12	3/4"	3/4" GAS	19	47,63	65	22,23	63	24	18	19	11	38	M10x35	3/8x1"1/2	4100
	NG03-1208	3/4"	1/2" GAS	19	47,63	65	22,23	63	24	18	19	11	38	M10x35	3/8x1"1/2	4100
	NG03-16	1"	1" GAS	25	52,37	70	26,19	70	28	19	20	11	43	M10x35	3/8x1"1/2	4131
	NG03-1612	1"	3/4" GAS	25	52,37	70	26,19	70	28	19	20	11	43	M10x40	3/8x1"1/2	4131
276	NG03-20	1"1/4	1"1/4 GAS	32	58,72	79	30,18	85	34	21	22	11,5	51	M10x40	7/16x1"3/4	4150
	NG03-2016	1"1/4	1" GAS	32	58,72	79	30,18	85	34	21	22	11,5	51	M10x40	7/16x1"3/4	4150
207	NG03-24	1"1/2	1"1/2 GAS	38	69,85	93	35,71	95	38	25	25	13,5	56	M12x45	1/2x1"3/4	4187
	NG03-2420	1"1/2	1"1/4 GAS	38	69,85	93	35,71	95	38	25	25	13,5	56	M12x45	1/2x1"3/4	4187
	NG03-32	2"	2" GAS	51	77,77	110	42,88	110	42	25	28	13,5	65	M12x45	1/2x1"3/4	4225
	NG03-3224	2"	1"1/2 GAS	51	77,77	110	42,88	110	42	25	28	13,5	65	M12x45	1/2x1"3/4	4225

### 6000 psi

414	NG06-08	1/2"	1/2" GAS	13	40,49	54	18,24	60	20	16	19	9	37	M8x30	5/16x1"1/4	4075
	NG06-0806	1/2"	3/8" GAS	13	40,49	54	18,24	60	20	16	19	9	37	M8x30	5/16x1"1/4	4075
	NG06-12	3/4"	3/4" GAS	19	50,80	70	23,80	70	28	19	20	11	43	M10x35	3/8x1"1/2	4100
	NG06-1208	3/4"	1/2" GAS	19	50,80	70	23,80	70	28	19	20	11	43	M10x35	3/8x1"1/2	4100
	NG06-16	1"	1" GAS	25	57,15	79	27,76	85	34	21	22	13	51	M12x45	7/16x1"3/4	4131
	NG06-1612	1"	3/4" GAS	25	57,15	79	27,76	85	34	21	22	13	51	M12x45	7/16x1"3/4	4131
	NG06-20	1"1/4	1"1/4 GAS	32	66,68	93	31,75	95	38	25	25	15	56	M14x45	1/2x1"3/4	4150
	NG06-2016	1"1/4	1" GAS	32	66,68	93	31,75	95	38	25	25	15	56	M14x45	1/2x1"3/4	4150
	NG06-24	1"1/2	1"1/2 GAS	38	79,38	110	36,50	110	42	25	28	17	65	M16x50	5/8x2"	4187
	NG06-2420	1"1/2	1"1/4 GAS	38	79,38	110	36,50	110	42	25	28	17	65	M16x50	5/8x2"	4187
	NG06-32	2"	2" GAS	51	96,82	134	44,45	132	45	35	33	21	75	M20x70	3/4x2"1/2	4225
	NG06-3224	2"	1"1/2 GAS	51	96,82	134	44,45	132	45	35	33	21	75	M20x70	3/4x2"1/2	4225

Как заказать / How to Order:

Только фланец / Only Flange

NG0...08

Фланец в комплекте с болтами UNC, шайбами и уплотнительным кол  
Complete flange with UNC screws, washers and o'ring

NG0...08U

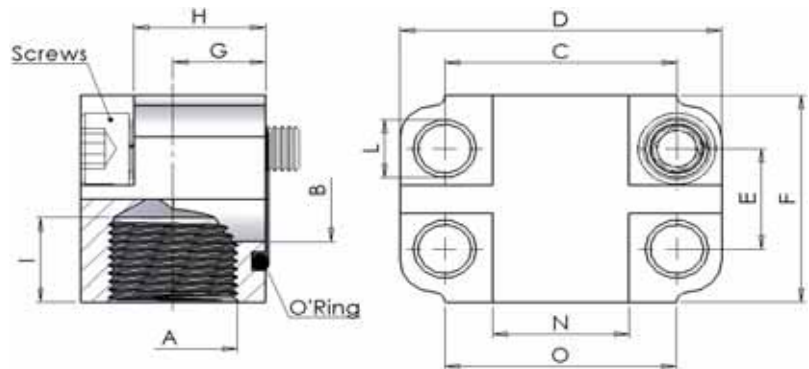
Фланец в комплекте с метрическими болтами, шайбами и уплотните  
Complete flange with metric screws, washers and o'ring

NG0...08M



**BG03**
**Головка фланца резьбового, BSP, 90°**
**BG06**

BSP Threaded 90° Flanges



max pressure bar	part number	SAE size	Dimensions													Viti Screws		O' R type
			A	B	C	D	E	F	G	H	I	L	N	O	Metric			

**3000 psi**

345	<b>BG03-12</b>	3/4"	3/4" GAS	19	47,63	66	22,23	46	19	27	19	11	28	48	M10x45	4100
	<b>BG03-16</b>	1"	1" GAS	25	52,37	71	26,19	55	22	34	19	11	32	50	M10x50	4131
276	<b>BG03-20</b>	1"1/4	1"1/4 GAS	32	58,72	81	30,18	65	27	42	22	12	35	60	M10x60	4150
207	<b>BG03-24</b>	1"1/2	1"1/2 GAS	38	69,85	95	35,71	75	32	50	24	14	42	70	M12x70	4187
	<b>BG03-32</b>	2"	2" GAS	51	77,77	112	42,88	90	40	63	26	14	50	80	M12x80	4225
172	<b>BG03-40</b>	2"1/2	2"1/2 GAS	63	88,90	120	50,80	120	53	99	30	14	-	-	-	4275

**6000 psi**

414	<b>BG06-12</b>	3/4"	3/4" GAS	19	50,80	71	23,80	55	22	34	22	11	32	50	M10x50	4100
	<b>BG06-16</b>	1"	1" GAS	25	57,15	81	27,76	65	27	42	24	13	35	60	M12x60	4131
	<b>BG06-20</b>	1"1/4	1"1/4 GAS	32	66,68	95	31,75	75	32	50	25	15	42	70	M14x70	4150
	<b>BG06-24</b>	1"1/2	1"1/2 GAS	38	79,38	112	36,50	90	40	63	28	17	50	80	M16x90	4187

Как заказать / How to Order:

Только фланец / Only Flange

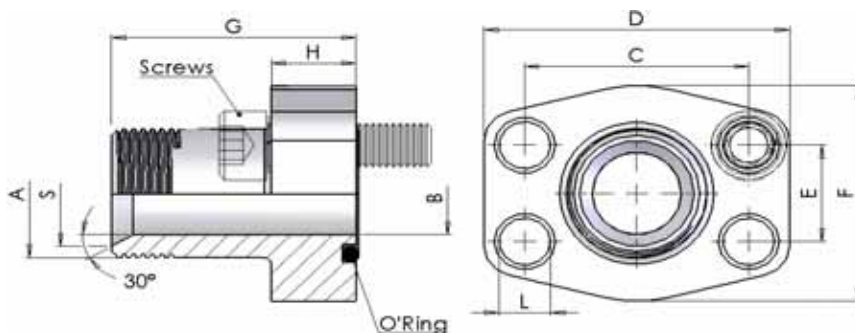
**BG0...08**

 Фланец в комплекте с метрическими болтами, шайбами и уплотнителем  
 Complete flange with metric screws, washers and o'ring

**BG0....08M**

**FDG3** **Фланец резьбовой, BSP 60°**  
**FDG6**

60° Tapered seat BSP threaded flanges



max pressure bar	part number	SAE size	Dimensions										Viti Screws		O' R type
			A	B	C	D	E	F	G	H	L	S	Metric	Unc	

**3000 psi**

345	<b>FDG3-08</b>	1/2"	1/2" GAS	12	38,10	54	17,48	46	52	13	9,0	17,5	M8x30	5/16x1"1/4	4075
	<b>FDG3-0806</b>	1/2"	3/8" GAS	9	38,10	54	17,48	46	52	13	9,0	14,0	M8x30	5/16x1"1/4	4075
	<b>FDG3-12</b>	3/4"	3/4" GAS	17	47,63	65	22,23	50	60	14	11,5	22,9	M10x35	3/8x1"1/2	4100
	<b>FDG3-1208</b>	3/4"	1/2" GAS	12	47,63	65	22,23	50	60	14	11,5	17,5	M10x35	3/8x1"1/2	4100
	<b>FDG3-16</b>	1"	1" GAS	22	52,37	70	26,19	55	63	16	11,5	28,7	M10x35	3/8x1"1/2	4131
	<b>FDG3-1612</b>	1"	3/4" GAS	17	52,37	70	26,19	55	63	16	11,5	22,9	M10x40	3/8x1"1/2	4131
276	<b>FDG3-20</b>	1"1/4	1"1/4 GAS	29	58,72	79	30,18	68	65	14	11,5	36,8	M10x35	7/16x1"3/4	4150
	<b>FDG3-2016</b>	1"1/4	1" GAS	22	58,72	79	30,18	68	65	14	11,5	28,7	M10x35	7/16x1"3/4	4150
207	<b>FDG3-24</b>	1"1/2	1"1/2 GAS	34	69,85	94	35,71	78	70	16	13,5	42,7	M12x35	1/2x1"3/4	4187
	<b>FDG3-2420</b>	1"1/2	1"1/4 GAS	29	69,85	94	35,71	78	70	16	13,5	36,8	M12x35	1/2x1"3/4	4187

**6000 psi**

414	<b>FDG6-08</b>	1/2"	1/2" GAS	12	40,49	56	18,24	48	60	16	9	17,5	M8x30	5/16x1"1/4	4075
	<b>FDG6-0806</b>	1/2"	3/8" GAS	9	40,49	56	18,24	48	60	16	9	14,0	M8x30	5/16x1"1/5	4075
	<b>FDG6-12</b>	3/4"	3/4" GAS	17	50,80	71	23,80	60	73	19	12	22,9	M10x40	3/8x1"1/2	4100
	<b>FDG6-1208</b>	3/4"	1/2" GAS	12	50,80	71	23,80	60	73	19	12	17,5	M10x40	3/8x1"1/3	4100
	<b>FDG6-16</b>	1"	1" GAS	22	57,15	81	27,76	70	82	24	13	28,7	M12x45	7/16x1"3/4	4131
	<b>FDG6-1612</b>	1"	3/4" GAS	17	57,15	81	27,76	70	82	24	13	22,9	M12x45	7/16x1"3/5	4131
	<b>FDG6-20</b>	1"1/4	1"1/4 GAS	29	66,68	95	31,75	78	92	27	15	36,8	M14x45	1/2x1"3/4	4150
	<b>FDG6-2016</b>	1"1/4	1" GAS	22	66,68	95	31,75	78	92	27	15	28,7	M14x45	1/2x1"3/5	4150
	<b>FDG6-24</b>	1"1/2	1"1/2 GAS	34	79,38	113	36,50	95	96	30	17	42,7	M16x50	5/8x2"	4187
	<b>FDG6-2420</b>	1"1/2	1"1/4 GAS	29	79,38	113	36,50	95	96	30	17	36,8	M16x50	5/8x2"	4187

Как заказать / How to Order:

Только фланец / Only Flange

**FDG...08**

Фланец в комплекте с болтами UNC, шайбами и уплотнительным кол  
 Complete flange with UNC screws, washers and o'ring

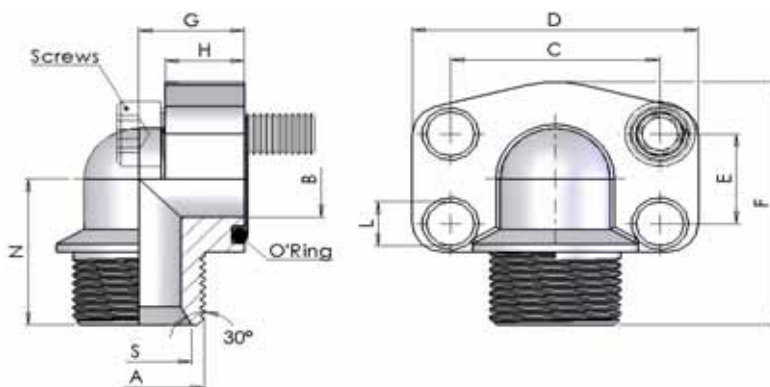
**FDG....08U**

Фланец в комплекте с метрическими болтами, шайбами и уплотните  
 Complete flange with metric screws, washers and o'ring

**FDG....08M**

**NOG3** **Фланец резьбовой 90°, BSP**  
**NOG6** **60°**

90° Flanges with 60° tapered seat and BSP thread



max pressure bar	part number	SAE size	Dimensions											Viti Screws		O' R type
			A	B	C	D	E	F	G	H	L	N	S	Metric	Unc	

**3000 psi**

345	<b>NOG3-08</b>	1/2"	1/2" GAS	11,5 / 13	38,10	54	17,48	61	20	16	9	38	17,5	M8x30	5/16x1"1/4	4075
	<b>NOG3-0806</b>	1/2"	3/8" GAS	8,5 / 13	38,10	54	17,48	61	20	16	9	38	14,0	M8x30	5/16x1"1/4	4075
	<b>NOG3-12</b>	3/4"	3/4" GAS	17 / 19	47,63	65	22,23	64	24	18	11	39	22,9	M10x35	3/8x1"1/2	4100
	<b>NOG3-16</b>	1"	1" GAS	22 / 25	52,37	70	26,19	70	28	19	11	43	28,7	M10x35	3/8x1"1/2	4131
276	<b>NOG3-20</b>	1"1/4	1"1/4 GAS	28,5 / 32	58,72	79	30,18	85	34	21	12	51	36,8	M10x35	7/16x1"3/4	4150
207	<b>NOG3-24</b>	1"1/2	1"1/2 GAS	34 / 38	69,85	93	35,71	96	38	25	14	56	42,7	M12x35	1/2x1"3/4	4187

**6000 psi**

414	<b>NOG6-0808</b>	1/2"	1/2" GAS	11,5 / 13	40,49	54	18,24	61	20	16	9	38	18	M8x30	5/16x1"1/4	4075
	<b>NOG6-0806</b>	1/2"	3/8" GAS	8,5 / 13	40,49	54	18,24	61	20	16	9	38	14	M8x30	5/16x1"1/4	4075
	<b>NOG6-12</b>	3/4"	3/4" GAS	17 / 19	50,80	70	23,80	70	28	19	11	43	23	M10x40	3/8x1"1/2	4100
	<b>NOG6-16</b>	1"	1" GAS	22 / 25	57,15	79	27,76	85	34	21	13	51	29	M12x45	7/16x1"3/4	4131
	<b>NOG6-20</b>	1"1/4	1"1/4 GAS	28,5 / 32	66,68	93	31,75	96	38	25	15	56	37	M14x45	1/2x1"3/4	4150
	<b>NOG6-24</b>	1"1/2	1"1/2 GAS	34 / 38	79,38	110	36,50	110	42	25	17	65	43	M16x50	5/8x2"	4187

Как заказать / How to Order:

Только фланец / Only Flange

**NOG...08**

Фланец в комплекте с болтами UNC, шайбами и уплотнительным кол  
 Complete flange with UNC screws, washers and o'ring

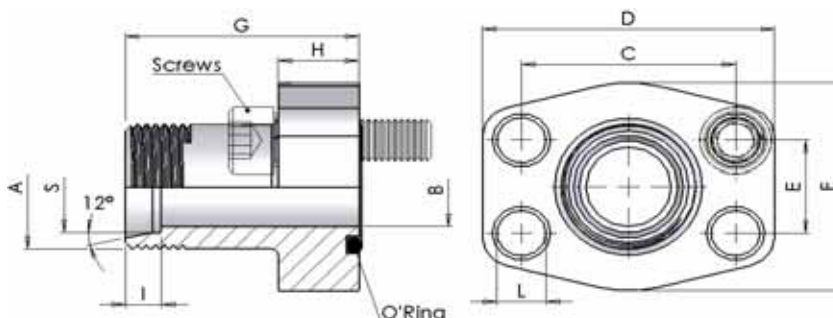
**NOG....08U**

Фланец в комплекте с метрическими болтами, шайбами и уплотните  
 Complete flange with metric screws, washers and o'ring

**NOG....08M**

**FDD3** **Фланец резьбовой, метрика**  
**FDD6** **DIN 2353**

DIN 2353 Metric threaded flanges



max pressure bar	part number	SAE size	Dimensions											Viti Screws		O' R type
			A	B	C	D	E	F	G	H	I	L	S	Metric	Unc	

**3000 psi**

345	<b>FDD3-08</b>	1/2"	M22x1,5	12	38,10	54	17,48	46	52	13	7	9,0	15	M8x30	5/16x1"1/4	4075
	<b>FDD3-12</b>	3/4"	M30x2	19	47,63	65	22,23	50	60	14	8	11,5	22	M10x30	3/8x1"1/2	4100
	<b>FDD3-16</b>	1"	M36x2	24	52,37	70	26,19	55	63	16	8	11,5	28	M10x35	3/8x1"1/2	4131
276	<b>FDD3-20</b>	1"1/4	M45x2	29	58,72	79	30,18	68	65	14	11	11,5	35	M10x35	7/16x1"3/4	4150
207	<b>FDD3-24</b>	1"1/2	M52x2	36	69,85	94	35,71	78	70	16	11	13,5	42	M12x35	1/2x1"3/4	4187

**6000 psi**

414	<b>FDD6-0808</b>	1/2"	M24x1,5	12	40,49	56	18,24	48	60	16	9	9,0	16	M8x30	5/16x1"1/4	4075
	<b>FDD6-12</b>	3/4"	M36x2	19	50,80	71	23,80	60	73	19	12	11,5	25	M10x40	3/8x1"1/2	4100
	<b>FDD6-16</b>	1"	M42x2	25	57,15	81	27,76	70	82	24	14	13,0	30	M12x45	7/16x1"3/4	4131
	<b>FDD6-20</b>	1"1/4	M52x2	29	66,68	95	31,75	78	92	27	16	15,0	38	M14x45	1/2x1"3/4	4150
	<b>FDD6-24</b>	1"1/2	M52x2	32	79,38	113	36,50	95	96	30	16	17,0	38	M16x50	5/8x2"	4187

Как заказать / How to Order:

Только фланец / Only Flange

FDD...08

Фланец в комплекте с болтами UNC, шайбами и уплотнительным кол  
 Complete flange with UNC screws, washers and o'ring

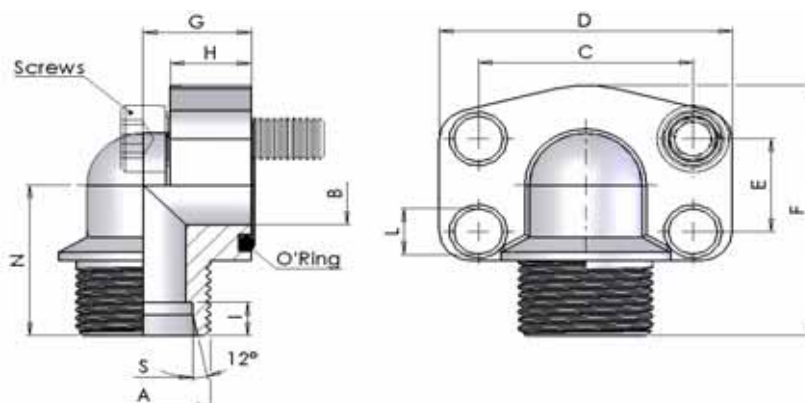
FDD....08U

Фланец в комплекте с метрическими болтами, шайбами и уплотните  
 Complete flange with metric screws, washers and o'ring

FDD....08M

**N0D3** **Фланец резьбовой 90°, метрика DIN 2353**  
**N0D6**

DIN 2353 Metric threaded 90° flanges



max pressure bar	part number	SAE size	Dimensions												Viti Screws		O' R type
			A	B	C	D	E	F	G	H	I	L	N	S	Metric	Unc	

**3000 psi**

345	<b>N0D3-08</b>	1/2"	M22x1,5	12	38,10	54	17,48	60	20	16	7,0	9,0	37	15	M8x30	5/16x1"1/4	4075
	<b>N0D3-12</b>	3/4"	M30x2	19	47,63	65	22,23	65	24	18	7,5	11,0	40	22	M10x35	3/8x1"1/2	4100
	<b>N0D3-16</b>	1"	M36x2	25	52,37	70	26,19	70	28	19	12,0	11,0	43	28	M10x35	3/8x1"1/2	4131
276	<b>N0D3-20</b>	1"1/4	M45x2	32	58,72	79	30,18	86	34	21	10,5	11,5	52	35	M10x40	7/16x1"3/4	4150
207	<b>N0D3-24</b>	1"1/2	M52x2	38	69,85	93	35,71	95	38	25	11,0	13,5	56	42	M12x45	1/2x1"3/4	4187

**6000 psi**

414	<b>N0D6-08</b>	1/2"	M24x1,5	12	40,49	54	18,24	60	20	16	8,5	9	37	16	M8x30	5/16x1"1/4	4075
	<b>N0D6-12</b>	3/4"	M36x2	19	50,80	70	23,80	70	28	19	12,0	11	43	25	M10x35	3/8x1"1/2	4100
	<b>N0D6-16</b>	1"	M42x2	25	57,15	79	27,76	85	34	21	13,5	13	52	30	M12x45	7/16x1"3/4	4131
	<b>N0D6-20</b>	1"1/4	M52x2	32	66,68	93	31,75	95	38	25	16,0	15	56	38	M14x45	1/2x1"3/4	4150
	<b>N0D6-24</b>	1"1/2	M52x2	38	79,38	110	36,50	110	42	25	16,0	17	65	38	M16x50	5/8x2"	4187

Как заказать / How to Order:

Только фланец / Only Flange

**NOD...08**

Фланец в комплекте с болтами UNC, шайбами и уплотнительным кол  
 Complete flange with UNC screws, washers and o'ring

**NOD....08U**

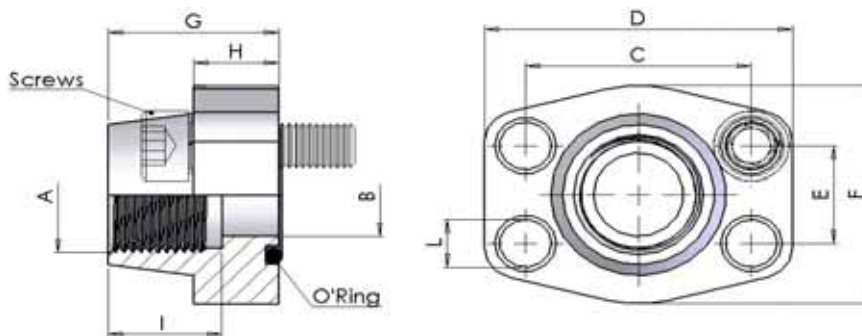
Фланец в комплекте с метрическими болтами, шайбами и уплотните  
 Complete flange with metric screws, washers and o'ring

**NOD....08M**



**FN03**
**Фланец резьбовой, NPT**
**FN06**

Фланец резьбовой, NPT



max pressure bar	part number	SAE size	Dimensions										Viti Screws		O' R type
			A	B	C	D	E	F	G	H	I	L	Metric	Unc	

**3000 psi**

345	<b>FN03-08</b>	1/2"	1/2" NPT	13	38,10	57	17,48	46	36	16	19	9	M8x30	5/16x1"1/4	4075
	<b>FN03-0806</b>	1/2"	3/8" NPT	13	38,10	57	17,48	46	36	16	19	9	M8x30	5/16x1"1/4	4075
	<b>FN03-12</b>	3/4"	3/4" NPT	19	47,63	65	22,23	50	36	18	19	11	M10x35	3/8x1"1/2	4100
	<b>FN03-1208</b>	3/4"	1/2" NPT	13	47,63	65	22,23	50	36	18	19	11	M10x35	3/8x1"1/2	4100
	<b>FN03-16</b>	1"	1" NPT	25	52,37	70	26,19	55	38	18	22	11	M10x35	3/8x1"1/2	4131
	<b>FN03-1612</b>	1"	3/4" NPT	19	52,37	70	26,19	55	35	21	19	11	M10x40	3/8x1"1/2	4131
276	<b>FN03-20</b>	1"1/4	1"1/4 NPT	32	58,72	79	30,18	68	41	21	22	11,5	M10x40	7/16x1"3/4	4150
	<b>FN03-2016</b>	1"1/4	1" NPT	25	58,72	81	30,18	65	42	25	24	11,5	M10x40	7/16x1"3/4	4150
207	<b>FN03-24</b>	1"1/2	1"1/2 NPT	38	69,85	93	35,71	78	45	25	24	13,5	M12x45	1/2x1"3/4	4187
	<b>FN03-2420</b>	1"1/2	1"1/4 NPT	32	69,85	95	35,71	78	45	27	24	13,5	M12x45	1/2x1"3/4	4187
	<b>FN03-23</b>	2"	2" NPT	51	77,77	102	42,88	90	45	25	30	13,5	M12x45	1/2x1"3/4	4225
	<b>FN03-3224</b>	2"	1"1/2 NPT	38	77,77	102	42,88	90	45	25	26	13,5	M12x45	1/2x1"3/4	4225
172	<b>FN03-40</b>	2"1/2	2"1/2 NPT	63	88,90	114	50,80	105	50	25	30	13,5	M12x45	1/2x1"3/4	4275
138	<b>FN03-48</b>	3"	3" NPT	73	106,38	134	61,93	124	50	27	34	17,5	M16x50	5/8x2"	4337
34	<b>FN03-56</b>	3"1/2	3"1/2 NPT	89	120,65	152	69,85	136	48	27	34	17,5	M16x50	5/8x2"	4387
	<b>FN03-64</b>	4"	4" NPT	99	130,18	162	77,77	146	48	27	34	17,5	M16x50	5/8x2"	4437

**6000 psi**

414	<b>FN06-08</b>	1/2"	1/2" NPT	13	40,49	57	18,24	46	36	16	19	9	M8x30	5/16x1"1/4	4075
	<b>FN06-0806</b>	1/2"	3/8" NPT	13	40,49	57	18,24	46	36	16	19	9	M8x30	5/16x1"1/4	4075
	<b>FN06-12</b>	3/4"	3/4" NPT	19	50,80	71	23,80	55	35	21	22	11	M10x40	3/8x1"1/2	4100
	<b>FN06-1208</b>	3/4"	1/2" NPT	13	50,80	71	23,80	55	35	21	22	11	M10x40	3/8x1"1/2	4100
	<b>FN06-16</b>	1"	1" NPT	25	57,15	81	27,76	65	42	25	24	13	M12x45	7/16x1"3/4	4131
	<b>FN06-1612</b>	1"	3/4" NPT	19	57,15	81	27,76	65	42	25	24	13	M12x45	7/16x1"3/4	4131
	<b>FN06-20</b>	1"1/4	1"1/4 NPT	32	66,68	95	31,75	78	45	27	25	15	M14x45	1/2x1"3/4	4150
	<b>FN06-2016</b>	1"1/4	1" NPT	25	66,68	95	31,75	78	45	27	25	15	M14x45	1/2x1"3/4	4150
	<b>FN06-24</b>	1"1/2	1"1/2 NPT	38	79,38	112	36,50	94	50	30	28	17	M16x50	5/8x2"	4187
	<b>FN06-2420</b>	1"1/2	1"1/4 NPT	32	79,38	112	36,50	94	50	30	28	17	M16x50	5/8x2"	4187
	<b>FN06-32</b>	2"	2" NPT	51	96,82	134	44,45	114	65	37	30	21	M20x70	3/4x2"1/2	4225
	<b>FN06-3224</b>	2"	1"1/2 NPT	38	96,82	134	44,45	114	65	37	30	21	M20x70	3/4x2"1/2	4225
	<b>FN06-40</b>	2"1/2	2"1/2 NPT	63	123,80	180	58,70	152	80	45	32	26	M24x80	-	4275
	<b>FN06-48</b>	3"	3" NPT	73	152,40	208	71,40	178	90	55	40	33	M30x100	-	4337

Как заказать / How to Order:

Только фланец / Only Flange

**FN0...08**

 Фланец в комплекте с болтами UNC, шайбами и уплотнительным кол  
 Complete flange with UNC screws, washers and o'ring

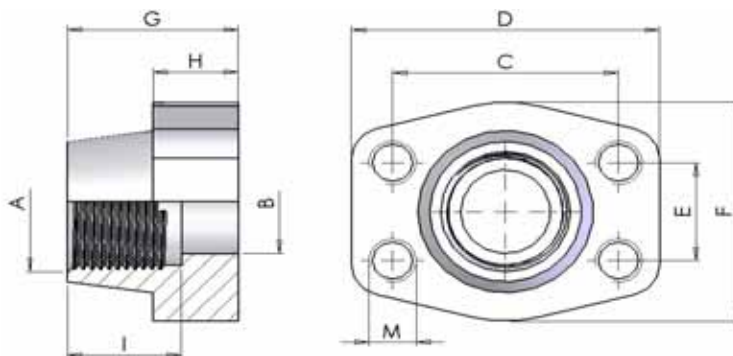
**FN0...08U**

 Фланец в комплекте с метрическими болтами, шайбами и уплотните  
 Complete flange with metric screws, washers and o'ring

**FN0...08M**

**CN03**  
**CN06**    **Ответная часть фланца,  
NPT**

NPT Threaded Counter-Flanges



max pressure bar	part number	SAE size	Dimensions									Metric M	Unc
			A	B	C	D	E	F	G	H	I		

**3000 psi**

345	CN03-08	1/2"	1/2" NPT	13	38,10	57	17,48	46	36	16	19	M8	5/16
	CN03-0806	1/2"	3/8" NPT	13	38,10	57	17,48	46	36	16	19	M8	5/16
	CN03-12	3/4"	3/4" NPT	19	47,63	65	22,23	50	36	18	19	M10	3/8
	CN03-1208	3/4"	1/2" NPT	13	47,63	65	22,23	50	36	18	19	M10	3/8
	CN03-16	1"	1" NPT	25	52,37	70	26,19	55	38	18	22	M10	3/8
	CN03-1612	1"	3/4" NPT	19	52,37	70	26,19	55	35	21	19	M10	3/8
276	CN03-20	1 1/4"	1 1/4" NPT	32	58,72	79	30,18	68	41	21	22	M10	7/16
	CN03-2016	1 1/4"	1" NPT	25	58,72	81	30,18	65	42	25	24	M10	7/16
207	CN03-24	1 1/2"	1 1/2" NPT	38	69,85	93	35,71	78	45	25	24	M12	1/2
	CN03-2420	1 1/2"	1 1/4" NPT	32	69,85	95	35,71	78	45	27	24	M12	1/2
	CN03-32	2"	2" NPT	51	77,77	102	42,88	90	45	25	30	M12	1/2
	CN03-3224	2"	1 1/2" NPT	38	77,77	102	42,88	90	45	25	26	M12	1/2
172	CN03-40	2 1/2"	2 1/2" NPT	63	88,90	114	50,80	105	50	25	30	M12	1/2
138	CN03-48	3"	3" NPT	73	106,38	134	61,93	124	50	27	34	M16	5/8
34	CN03-56	3 1/2"	3 1/2" NPT	89	120,65	152	69,85	136	48	27	34	M16	5/8
	CN03-64	4"	4" NPT	99	130,18	162	77,77	146	48	27	34	M16	5/8

**6000 psi**

414	CN06-08	1/2"	1/2" NPT	13	40,49	57	18,24	46	36	16	19	M8	5/16
	CN06-0806	1/2"	3/8" NPT	13	40,49	57	18,24	46	36	16	19	M8	5/16
	CN06-12	3/4"	3/4" NPT	19	50,80	71	23,80	55	35	21	22	M10	3/8
	CN06-1208	3/4"	1/2" NPT	13	50,80	71	23,80	55	35	21	22	M10	3/8
	CN06-16	1"	1" NPT	25	57,15	81	27,76	65	42	25	24	M12	7/16
	CN06-1612	1"	3/4" NPT	19	57,15	81	27,76	65	42	25	24	M12	7/16
	CN06-20	1 1/4"	1 1/4" NPT	32	66,68	95	31,75	78	45	27	25	M14	1/2
	CN06-2016	1 1/4"	1" NPT	25	66,68	95	31,75	78	45	27	25	M14	1/2
	CN06-24	1 1/2"	1 1/2" NPT	38	79,38	112	36,50	94	50	30	28	M16	5/8
	CN06-2420	1 1/2"	1 1/4" NPT	32	79,38	112	36,50	94	50	30	28	M16	5/8
	CN06-32	2"	2" NPT	51	96,82	134	44,45	114	65	37	30	M20	3/4
	CN06-3224	2"	1 1/2" NPT	38	96,82	134	44,45	114	65	37	30	M20	3/4
	CN06-40	2 1/2"	2 1/2" NPT	63	123,80	180	58,70	152	80	45	32	M24	-
	CN06-48	3"	3" NPT	73	152,40	208	71,40	178	90	55	40	M30	-

**Как заказать / How to Order:**

 Ответная часть фланца под соединение метрическими болтами  
 Counter flange with metric tapholes

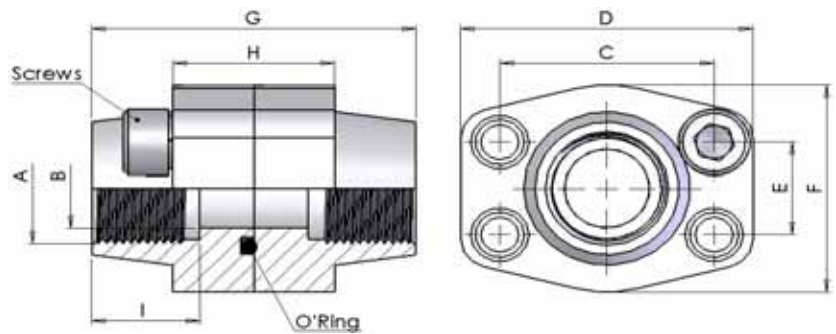
**CN0...08**

 Ответная часть фланца под соединение болтами UNC  
 Counter flange with UNC tapholes

**CN0...08U**

**DN03  
DN06**
**Парный фланец, NPT**

NPT Threaded Double Flanges



max pressure bar	part number	SAE size	Dimensions									Viti Screws		O' R type
			A	B	C	D	E	F	G	H	I	Metric	Unc	

**3000 psi**

345	DN03-08	1/2"	1/2" NPT	13	38,10	57	17,48	46	72	32	19	M8x30	5/16x1"1/4	4075
	DN03-0806	1/2"	3/8" NPT	13	38,10	57	17,48	46	72	32	19	M8x30	5/16x1"1/4	4075
	DN03-12	3/4"	3/4" NPT	19	47,63	65	22,23	50	72	36	19	M10x35	3/8x1"1/2	4100
	DN03-1208	3/4"	1/2" NPT	13	47,63	65	22,23	50	72	36	19	M10x35	3/8x1"1/2	4100
	DN03-16	1"	1" NPT	25	52,37	70	26,19	55	76	36	22	M10x35	3/8x1"1/2	4131
	DN03-1612	1"	3/4" NPT	19	52,37	70	26,19	55	70	42	19	M10x40	3/8x1"1/2	4131
276	DN03-20	1"1/4	1"1/4 NPT	32	58,72	79	30,18	68	82	42	22	M10x40	7/16x1"3/4	4150
	DN03-2016	1"1/4	1" NPT	25	58,72	81	30,18	65	84	50	24	M10x40	7/16x1"3/4	4150
207	DN03-24	1"1/2	1"1/2 NPT	38	69,85	93	35,71	78	90	50	24	M12x45	1/2x1"3/4	4187
	DN03-2420	1"1/2	1"1/4 NPT	32	69,85	95	35,71	78	90	54	24	M12x45	1/2x1"3/4	4187
	DN03-32	2"	2" NPT	51	77,77	102	42,88	90	90	50	30	M12x45	1/2x1"3/4	4225
	DN03-3224	2"	1"1/2 NPT	38	77,77	102	42,88	90	90	50	26	M12x45	1/2x1"3/4	4225
172	DN03-40	2"1/2	2"1/2 NPT	63	88,90	114	50,80	105	100	50	30	M12x45	1/2x1"3/4	4275
138	DN03-48	3"	3" NPT	73	106,38	134	61,93	124	100	54	34	M16x50	5/8x2"	4337
34	DN03-56	3"1/2	3"1/2 NPT	89	120,65	152	69,85	136	96	54	34	M16x50	5/8x2"	4387
	DN03-64	4"	4" NPT	99	130,18	162	77,77	146	96	54	34	M16x50	5/8x2"	4437

**6000 psi**

414	DN06-08	1/2"	1/2" NPT	13	40,49	57	18,24	46	72	32	19	M8x30	5/16x1"1/4	4075
	DN06-0806	1/2"	3/8" NPT	13	40,49	57	18,24	46	72	32	19	M8x30	5/16x1"1/4	4075
	DN06-12	3/4"	3/4" NPT	19	50,80	71	23,80	55	70	42	22	M10x40	3/8x1"1/2	4100
	DN06-1208	3/4"	1/2" NPT	13	50,80	71	23,80	55	70	42	22	M10x40	3/8x1"1/2	4100
	DN06-16	1"	1" NPT	25	57,15	81	27,76	65	84	50	24	M12x45	7/16x1"3/4	4131
	DN06-1612	1"	3/4" NPT	19	57,15	81	27,76	65	84	50	24	M12x45	7/16x1"3/4	4131
	DN06-20	1"1/4	1"1/4 NPT	32	66,68	95	31,75	78	90	54	25	M14x45	1/2x1"3/4	4150
	DN06-2016	1"1/4	1" NPT	25	66,68	95	31,75	78	90	54	25	M14x45	1/2x1"3/4	4150
	DN06-24	1"1/2	1"1/2 NPT	38	79,38	112	36,50	94	100	60	28	M16x50	5/8x2"	4187
	DN06-2420	1"1/2	1"1/4 NPT	32	79,38	112	36,50	94	100	60	28	M16x50	5/8x2"	4187
	DN06-32	2"	2" NPT	51	96,82	134	44,45	114	130	74	30	M20x70	3/4x2"1/2	4225
	DN06-3224	2"	1"1/2 NPT	38	96,82	134	44,45	114	130	74	30	M20x70	3/4x2"1/2	4225
	DN06-40	2"1/2	2"1/2 NPT	63	123,80	180	58,70	152	160	90	32	M24x80	-	4275
	DN06-48	3"	3" NPT	73	152,40	208	71,40	178	180	110	40	M30x100	-	4337

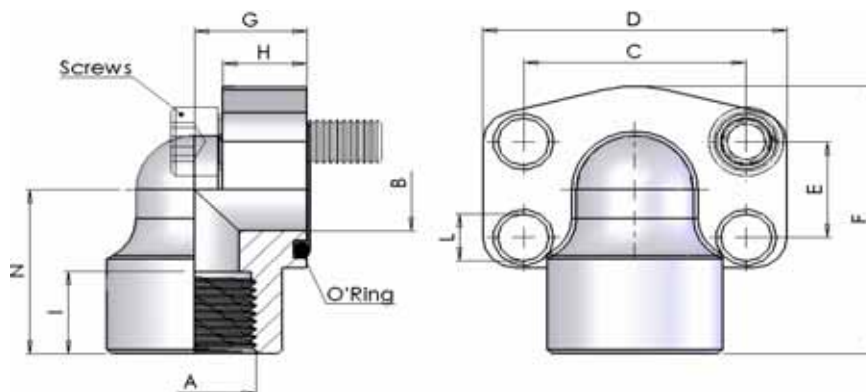
Как заказать / How to Order:

 Парный фланец в комплекте с метрическими болтами, шайбами и уп  
 Complete double flange with metrical screws, washers and o-ring DN0...08

 Парный фланец в комплекте с болтами UNC, шайбами и уплотнител  
 Complete double flange with UNC screws, washers and o-ring DN0...08U

**NN03  
NN06**
**Фланец резьбовой 90°, NPT**

NPT Threaded 90° Flanges



max pressure bar	part number	SAE size	Dimensions											Viti Screws		O' R type
			A	B	C	D	E	F	G	H	I	L	N	Metric	Unc	

**3000 psi**

345	<b>NN03-08</b>	1/2"	1/2" NPT	13	38,10	54	17,48	60	20	16	19	9	37	M8x30	5/16x1"1/4	4075
	<b>NN03-0806</b>	1/2"	3/8" NPT	13	38,10	54	17,48	60	20	16	19	9	37	M8x30	5/16x1"1/4	4075
	<b>NN03-12</b>	3/4"	3/4" NPT	19	47,63	65	22,23	63	24	18	19	11	38	M10x35	3/8x1"1/2	4100
	<b>NN03-1208</b>	3/4"	1/2" NPT	19	47,63	65	22,23	63	24	18	19	11	38	M10x35	3/8x1"1/2	4100
	<b>NN03-16</b>	1"	1" NPT	25	52,37	70	26,19	70	28	19	20	11	43	M10x35	3/8x1"1/2	4131
	<b>NN03-1612</b>	1"	3/4" NPT	25	52,37	70	26,19	70	28	19	20	11	43	M10x40	3/8x1"1/2	4131
276	<b>NN03-20</b>	1"1/4	1"1/4 NPT	32	58,72	79	30,18	85	34	21	22	11,5	51	M10x40	7/16x1"3/4	4150
	<b>NN03-2016</b>	1"1/4	1" NPT	32	58,72	79	30,18	85	34	21	22	11,5	51	M10x40	7/16x1"3/4	4150
207	<b>NN03-24</b>	1"1/2	1"1/2 NPT	38	69,85	93	35,71	95	38	25	25	13,5	56	M12x45	1/2x1"3/4	4187
	<b>NN03-2420</b>	1"1/2	1"1/4 NPT	38	69,85	93	35,71	95	38	25	25	13,5	56	M12x45	1/2x1"3/4	4187
	<b>NN03-32</b>	2"	2" NPT	51	77,77	110	42,88	110	42	25	28	13,5	65	M12x45	1/2x1"3/4	4225
	<b>NN03-3224</b>	2"	1"1/2 NPT	51	77,77	110	42,88	110	42	25	28	13,5	65	M12x45	1/2x1"3/4	4225

**6000 psi**

414	<b>NN06-0808</b>	1/2"	1/2" NPT	13	40,49	54	18,24	60	20	16	19	9	37	M8x30	5/16x1"1/4	4075
	<b>NN06-0806</b>	1/2"	3/8" NPT	13	40,49	54	18,24	60	20	16	19	9	37	M8x30	5/16x1"1/4	4075
	<b>NN06-12</b>	3/4"	3/4" NPT	19	50,80	70	23,80	70	28	19	20	11	43	M10x40	3/8x1"1/2	4100
	<b>NN06-1208</b>	3/4"	1/2" NPT	19	50,80	70	23,80	70	28	19	20	11	43	M10x40	3/8x1"1/2	4100
	<b>NN06-16</b>	1"	1" NPT	25	57,15	79	27,76	85	34	21	22	13	51	M12x45	7/16x1"3/4	4131
	<b>NN06-1612</b>	1"	3/4" NPT	25	57,15	79	27,76	85	34	21	22	13	51	M12x45	7/16x1"3/4	4131
	<b>NN06-20</b>	1"1/4	1"1/4 NPT	32	66,68	93	31,75	95	38	25	25	15	56	M14x45	1/2x1"3/4	4150
	<b>NN06-2016</b>	1"1/4	1" NPT	32	66,68	93	31,75	95	38	25	25	15	56	M14x45	1/2x1"3/4	4150
	<b>NN06-24</b>	1"1/2	1"1/2 NPT	38	79,38	110	36,50	110	42	25	28	17	65	M16x50	5/8x2"	4187
	<b>NN06-2420</b>	1"1/2	1"1/4 NPT	38	79,38	110	36,50	110	42	25	28	17	65	M16x50	5/8x2"	4187
	<b>NN06-32</b>	2"	2" NPT	51	96,82	134	44,45	132	45	35	33	21	75	M20x70	3/4x2"1/2	4225
	<b>NN06-3224</b>	2"	1"1/2 NPT	51	96,82	134	44,45	132	45	35	33	21	75	M20x70	3/4x2"1/2	4225

Как заказать / How to Order:

Только фланец / Only Flange

**NN0...08**

 Фланец в комплекте с болтами UNC, шайбами и уплотнительным кол  
 Complete flange with UNC screws, washers and o'ring

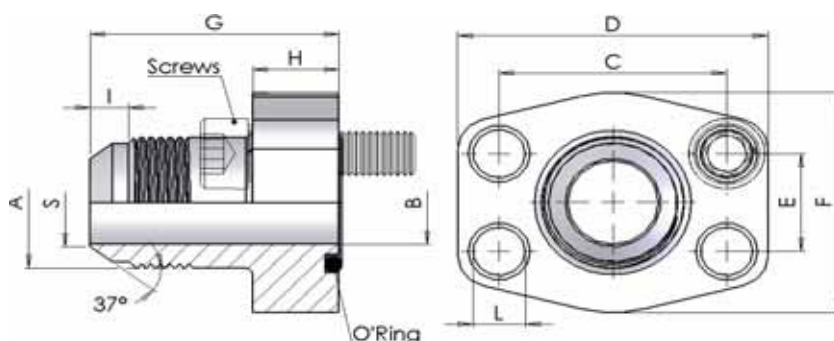
**NN0...08U**

 Фланец в комплекте с метрическими болтами, шайбами и уплотните  
 Complete flange with metric screws, washers and o'ring

**NN0...08M**

**FDJ3** **Фланец резьбовой, JIC**

**FDJ6** JIC Threaded Flanges



max pressure bar	part number	SAE size	Dimensions											Viti Screws		O' R type
			A	B	C	D	E	F	G	H	I	L	S	Metric	Unc	

**3000 psi**

345	<b>FDJ3-0808</b>	1/2"	3/4" - 16UNF	9,9	38,10	54	17,48	46	52	13	6,4	9,0	10,82	M8x30	5/16x1"1/4	4075
	<b>FDJ3-0810</b>	1/2"	7/8" - 14UN	12,3	38,10	54	17,48	46	52	13	6,8	9,0	13,69	M8x30	5/16x1"1/4	4075
	<b>FDJ3-12</b>	3/4"	1"1/16 - 12UN	15,5	47,63	65	22,23	50	60	14	8,0	11,5	16,87	M10x35	3/8x1"1/2	4100
	<b>FDJ3-16</b>	1"	1"5/16 - 12UN	21,5	52,37	70	26,19	55	63	16	8,0	11,5	23,19	M10x35	3/8x1"1/2	4131
276	<b>FDJ3-20</b>	1"1/4	1"5/8 - 12UN	27,5	58,72	79	30,18	68	65	14	9,3	11,5	29,13	M10x35	7/16x1"3/4	4150
207	<b>FDJ3-24</b>	1"1/2	1"7/8 - 12UN	33,0	69,85	94	35,71	78	70	16	9,6	13,5	35,08	M12x35	1/2x1"3/4	4187

**6000 psi**

414	<b>FDJ6-0808</b>	1/2"	3/4" - 16UNF	9,9	40,49	56	18,24	48	60	16	6	9,0	10,82	M8x30	5/16x1"1/4	4075
	<b>FDJ6-0810</b>	1/2"	7/8" - 14UN	12,3	40,49	56	18,24	48	60	16	7	9,0	13,69	M8x30	5/16x1"1/4	4075
	<b>FDJ6-12</b>	3/4"	1"1/16 - 12UN	15,5	50,80	71	23,80	60	73	19	8	11,5	16,87	M10x40	3/8x1"1/2	4100
	<b>FDJ6-16</b>	1"	1"5/16 - 12UN	21,5	57,15	81	27,76	70	82	24	8	13,0	23,19	M12x45	7/16x1"3/4	4131
	<b>FDJ6-20</b>	1"1/4	1"5/8 - 12UN	27,5	66,68	95	31,75	78	92	27	9	15,0	29,13	M14x45	1/2x1"3/4	4150
	<b>FDJ6-24</b>	1"1/2	1"7/8 - 12UN	33,0	79,38	113	36,50	95	96	30	10	17,0	35,08	M16x50	5/8x2"	4187

Как заказать / How to Order:

Только фланец / Only Flange

FDJ...08

Фланец в комплекте с болтами UNC, шайбами и уплотнительным кол  
Complete flange with UNC screws, washers and o'ring

FDJ...08U

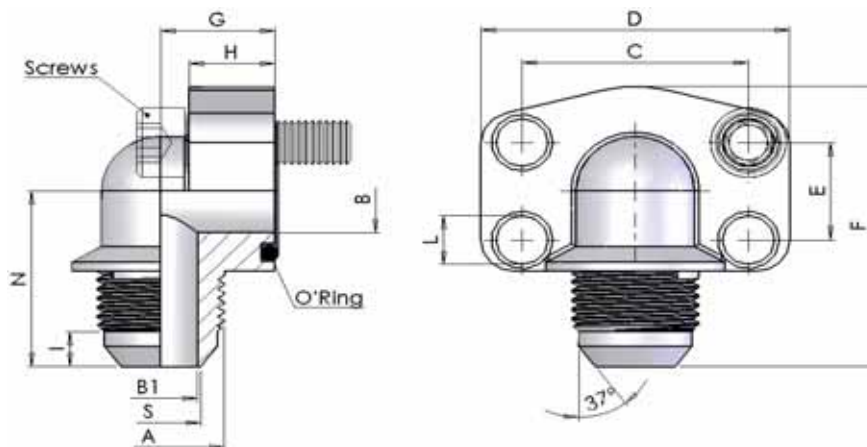
Фланец в комплекте с метрическими болтами, шайбами и уплотните  
Complete flange with metric screws, washers and o'ring

FDJ...08M



**N0J3** Фланец резьбовой 90°,  
**N0J6** JIC

JIC Threaded 90° Flanges



max pressure bar	part number	SAE size	Dimensions													Viti Screws		O' R type
			A	B	B1	C	D	E	F	G	H	I	L	N	S	Metric	Unc	

**3000 psi**

345	<b>N0J3-0808</b>	1/2"	3/4" - 16UNF	13	9,9	38,10	54	17,48	60	20	16	6,4	9	37	10,82	M8x30	5/16x1"1/4	4075
	<b>N0J3-0810</b>	1/2"	7/8" - 14UN	13	12,3	38,10	54	17,48	60	20	16	6,8	9	37	13,69	M8x30	5/16x1"1/4	4075
	<b>N0J3-12</b>	3/4"	1"1/16 - 12UN	19	15,5	47,63	65	22,23	64	24	18	8	11	39	16,87	M10x35	3/8x1"1/2	4100
	<b>N0J3-16</b>	1"	1"5/16 - 12UN	25	21,5	52,37	70	26,19	71	28	19	8	11	44	23,19	M10x35	3/8x1"1/2	4131
276	<b>N0J3-20</b>	1"1/4	1"5/8 - 12UN	32	27,5	58,72	79	30,18	86	34	21	9,3	11,5	52	29,13	M10x40	7/16x1"3/4	4150
207	<b>N0J3-24</b>	1"1/2	1"7/8 - 12UN	38	33,0	69,85	93	35,71	96	38	25	9,6	13,5	57	35,08	M12x45	1/2x1"3/4	4187

**6000 psi**

414	<b>N0J6-0808</b>	1/2"	3/4" - 16UNF	13	9,9	40,49	54	18,24	60	20	16	6,4	9	37	10,82	M8x30	5/16x1"1/4	4075
	<b>N0J6-0810</b>	1/2"	7/8" - 14UN	13	12,3	40,49	54	18,24	60	20	16	6,8	9	37	13,69	M8x30	5/16x1"1/4	4075
	<b>N0J6-12</b>	3/4"	1"1/16 - 12UN	19	15,0	50,80	70	23,80	71	28	19	8	11	44	16,87	M10x35	3/8x1"1/2	4100
	<b>N0J6-16</b>	1"	1"5/16 - 12UN	25	21,5	57,15	79	27,76	85	34	21	8	13	51	23,19	M12x45	7/16x1"3/4	4131
	<b>N0J6-20</b>	1"1/4	1"5/8 - 12UN	32	27,5	66,68	93	31,75	96	38	25	9,3	15	57	29,13	M14x45	1/2x1"3/4	4150
	<b>N0J6-24</b>	1"1/2	1"7/8 - 12UN	38	33,0	79,38	110	35,50	111	42	25	9,6	17	66	35,08	M16x50	5/8x2"	4187

Как заказать / How to Order:

Только фланец / Only Flange

**NOJ...08**

Фланец в комплекте с болтами UNC, шайбами и уплотнительным кол  
 Complete flange with UNC screws, washers and o'ring

**NOJ....08U**

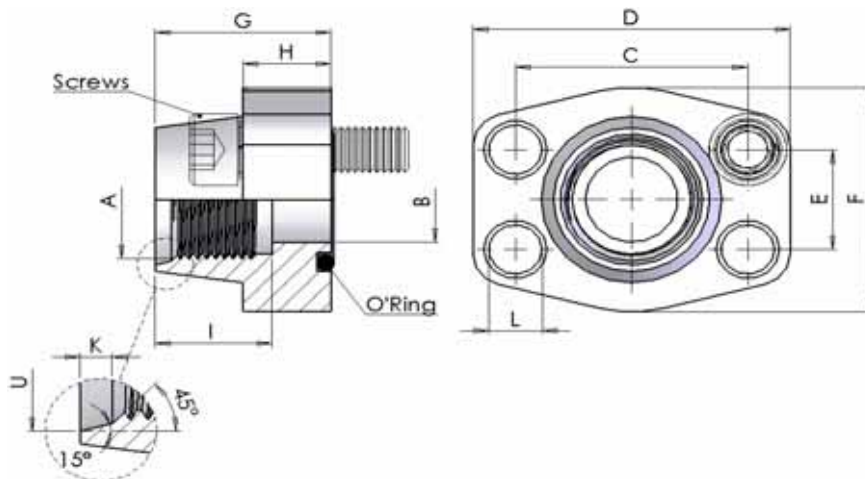
Фланец в комплекте с метрическими болтами, шайбами и уплотните  
 Complete flange with metric screws, washers and o'ring

**NOJ....08M**

**FU03**
**FU06**

**Фланец резьбовой, UNF  
параллельная, с пазом под  
уплотнительное кольцо**

(UN) Threaded flanges with O-Ring groove parallel thread



max pressure bar	part number	SAE size	Dimensions											Viti Screws		O' R type
			A	B	C	D	E	F	G	H	I	L	U	K	Metric	

### 3000 psi

345	<b>FU03-08</b>	1/2"	3/4" - 16UNF	13	38,10	57	17,48	46	36	16	17	9,0	20,6	2,5	M8x30	5/16x1"1/4	4075
	<b>FU03-12</b>	3/4"	1"1/16 - 12UN	19	47,63	65	22,23	50	36	18	23	11,0	29,2	3,3	M10x35	3/8x1"1/2	4100
	<b>FU03-16</b>	1"	1"5/16 - 12UN	25	52,37	70	26,19	55	38	18	23	11,0	35,5	3,3	M10x35	3/8x1"1/2	4131
276	<b>FU03-20</b>	1"1/4	1"5/8 - 12UN	32	58,72	79	30,18	68	41	21	23	11,5	43,5	3,3	M10x40	7/16x1"3/4	4150
207	<b>FU03-24</b>	1"1/2	1"7/8 - 12UN	38	69,85	93	35,71	78	45	25	23	13,5	49,8	3,3	M12x45	1/2x1"3/4	4187

### 6000 psi

414	<b>FU06-08</b>	1/2"	3/4" - 16UNF	13	40,49	57	18,24	46	36	16	17	9	20,6	2,5	M8x30	5/16x1"1/4	4075
	<b>FU06-12</b>	3/4"	1"1/16 - 12UN	19	50,80	71	23,80	55	35	21	23	11	29,2	3,3	M10x40	3/8x1"1/2	4100
	<b>FU06-16</b>	1"	1"5/16 - 12UN	25	57,15	81	27,76	65	42	25	23	13	35,5	3,3	M12x45	7/16x1"3/4	4131
	<b>FU06-20</b>	1"1/4	1"5/8 - 12UN	32	66,68	95	31,75	78	45	27	23	15	43,5	3,3	M14x45	1/2x1"3/4	4150
	<b>FU06-24</b>	1"1/2	1"7/8 - 12UN	38	79,38	112	36,50	94	50	30	23	17	49,8	3,3	M16x50	5/8x2"	4187

Как заказать / How to Order:

Только фланец / Only Flange

FU0...08

Фланец в комплекте с болтами UNC, шайбами и уплотнительным кол  
Complete flange with UNC screws, washers and o'ring

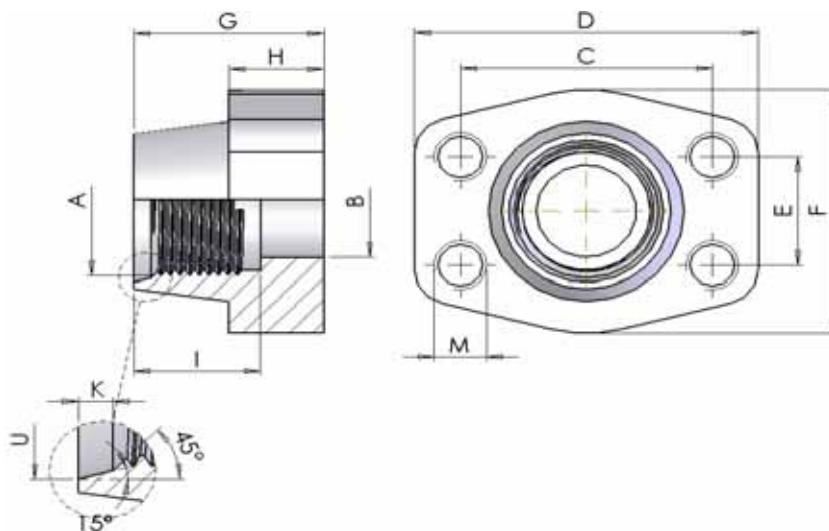
FU0...08U

Фланец в комплекте с метрическими болтами, шайбами и уплотните  
Complete flange with metric screws, washers and o'ring

FU0...08M

**CU03**  
**CU06**    **Ответная часть фланца, UNF**  
**параллельная, с пазом под**  
**уплотнительное кольцо**

(UN) Threaded counter-flanges with O-Ring groove parallel thread



max pressure bar	part number	SAE size	Dimensions											Metric M	Unc M
			A	B	C	D	E	F	G	H	I	U	K		

**3000 psi**

345	<b>CU03-08</b>	1/2"	3/4" - 16UNF	13	38,10	57	17,48	46	36	16	17	20,6	2,5	M8	5/16
	<b>CU03-12</b>	3/4"	1"1/16 - 12UN	19	47,63	65	22,23	50	36	18	23	29,2	3,3	M10	3/8
	<b>CU03-16</b>	1"	1"5/16 - 12UN	25	52,37	70	26,19	55	38	18	23	35,5	3,3	M10	3/8
276	<b>CU03-20</b>	1"1/4	1"5/8 - 12UN	32	58,72	79	30,18	68	41	21	23	43,5	3,3	M10	7/16
207	<b>CU03-24</b>	1"1/2	1"7/8 - 12UN	38	69,85	93	35,71	78	45	25	23	49,8	3,3	M12	1/2

**6000 psi**

414	<b>CU06-08</b>	1/2"	3/4" - 16UNF	13	40,49	57	18,24	46	36	16	17	20,6	2,5	M8	5/16
	<b>CU06-12</b>	3/4"	1"1/16 - 12UN	19	50,80	71	23,80	55	35	21	23	29,2	3,3	M10	3/8
	<b>CU06-16</b>	1"	1"5/16 - 12UN	25	57,15	81	27,76	65	42	25	23	35,5	3,3	M12	7/16
	<b>CU06-20</b>	1"1/4	1"5/8 - 12UN	32	66,68	95	31,75	78	45	27	23	43,5	3,3	M14	1/2
	<b>CU06-24</b>	1"1/2	1"7/8 - 12UN	38	79,38	112	36,50	94	50	30	23	49,8	3,3	M16	5/8

Как заказать / How to Order:

Ответная часть фланца под соединение метрическими болтами  
Counter flange with metric tapholes

CU0...08

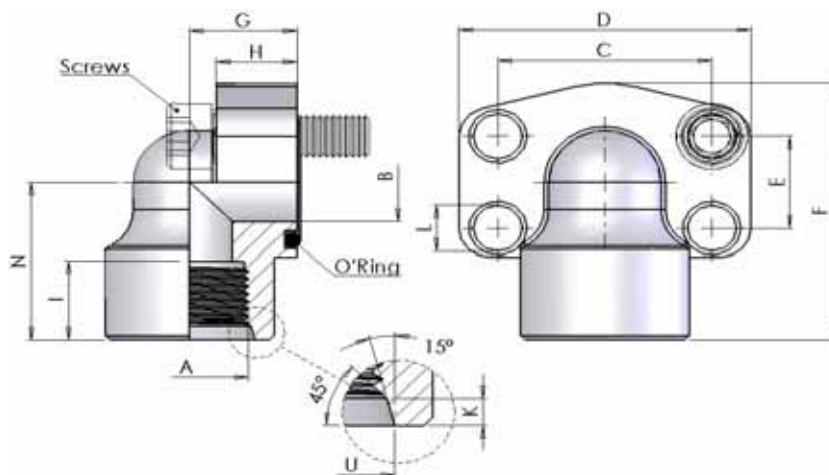
Ответная часть фланца под соединение болтами UNC  
Counter flange with UNC tapholes

CU0...08U

**NU03**
**NU06**

**Фланец резьбовой 90°, UNF  
параллельная, с пазом под  
уплотнительное кольцо**

(UN) Threaded 90° flanges with O-Ring  
groove parallel thread



max pressure bar	part number	SAE size	Dimensions													Viti Screws		O' R type
			A	B	C	D	E	F	G	H	I	L	N	U	K	Metric	Unc	

### 3000 psi

345	<b>NU03-08</b>	1/2"	3/4"-16 UNF	13	38,10	54	17,48	60	20	16	17	9	37,0	29,6	2,5	M8x30	5/16x1"1/4	4075
	<b>NU03-12</b>	3/4"	1" 1/16-12 UN	19	47,63	65	22,23	63	24	18	23	11	38,0	29,2	3,3	M10x35	3/8x1"1/2	4100
	<b>NU03-16</b>	1"	1" 5/16-12 UN	25	52,37	70	26,19	70	28	19	23	11	43,0	35,5	3,3	M10x35	3/8x1"1/2	4131
276	<b>NU03-20</b>	1"1/4	1" 5/8-12 UN	32	58,72	79	30,18	79	34	21	23	12	51,0	43,5	3,4	M10x40	7/16x1"3/4	4150
207	<b>NU03-24</b>	1"1/2	1" 7/8-12 UN	38	69,85	93	35,71	93	38	25	23	14	56,0	49,8	3,4	M12x45	1/2x1"3/4	4187

### 6000 psi

414	<b>NU06-08</b>	1/2"	3/4"-16 UNF	13	40,49	54	18,24	60	20	16	17	9	37,0	29,6	2,5	M8x30	5/16x1"1/4	4075
	<b>NU06-12</b>	3/4"	1" 1/16-12 UN	19	50,80	70	23,80	70	28	19	23	11	43,0	29,2	3,3	M10x35	3/8x1"1/2	4100
	<b>NU06-16</b>	1"	1" 5/16-12 UN	25	57,15	79	27,76	85	34	21	23	13	51,0	35,5	3,3	M12x45	7/16x1"3/4	4131
	<b>NU06-20</b>	1"1/4	1" 5/8-12 UN	32	66,68	93	31,75	95	38	25	23	15	56	43,5	3,4	M14x45	1/2x1"3/4	4150
	<b>NU06-24</b>	1"1/2	1" 7/8-12 UN	38	79,38	110	36,50	110	42	25	23	17	65,0	49,8	3,4	M16x50	5/8x2"	4187

Как заказать / How to Order:

Только фланец / Only Flange

**NU0...08**

Фланец в комплекте с болтами UNC, шайбами и уплотнительным кол  
Complete flange with UNC screws, washers and o'ring

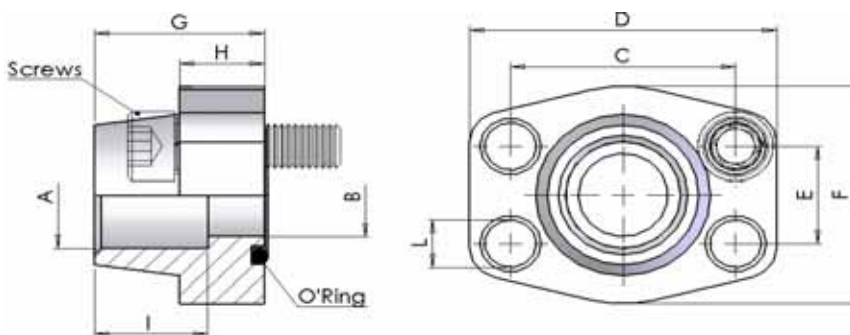
**NU0....08U**

Фланец в комплекте с метрическими болтами, шайбами и уплотните  
Complete flange with metric screws, washers and o'ring

**NU0....08M**

**FS03**
**Приварной фланец**
**FS06**

Weld in flanges



max pressure bar	part number	SAE size	Dimensions										Viti Screws		O' R type
			A	B	C	D	E	F	G	H	I	L	Metric	Unc	

**3000 psi**

345	<b>FS03-08</b>	1/2"	21,6	13	38,10	57	17,48	46	36	16	19	9,0	M8x30	5/16x1"1/4	4075
	<b>FS03-0806</b>	1/2"	17,5	13	38,10	57	17,48	46	36	16	19	9,0	M8x30	5/16x1"1/4	4075
	<b>FS03-12</b>	3/4"	27,2	19	47,63	65	22,23	50	36	18	19	11,0	M10x35	3/8x1"1/2	4100
	<b>FS03-16</b>	1"	34	25	52,37	70	26,19	55	38	18	19	11,0	M10x35	3/8x1"1/2	4131
276	<b>FS03-20</b>	1"1/4	42,8	32	58,72	79	30,18	68	41	21	22	11,5	M10x40	7/16x1"3/4	4150
207	<b>FS03-24</b>	1"1/2	48,6	38	69,85	93	35,71	78	45	25	24	13,5	M12x45	1/2x1"3/4	4187
	<b>FS03-32</b>	2"	61	51	77,77	102	42,88	90	45	25	26	13,5	M12x45	1/2x1"3/4	4225
172	<b>FS03-40</b>	2"1/2	76,6	63	88,90	114	50,80	105	50	25	30	13,5	M12x45	1/2x1"3/4	4275
138	<b>FS03-48</b>	3"	90,5	73	106,38	134	61,93	124	50	27	34	17,5	M16x50	5/8x2"	4337
34	<b>FS03-56</b>	3"1/2	103	89	120,65	152	69,85	136	48	27	34	17,5	M16x50	5/8x2"	4387
	<b>FS03-64</b>	4"	115,5	99	130,18	162	77,77	146	48	27	34	17,5	M16x50	5/8x2"	4437

**6000 psi**

414	<b>FS06-0808</b>	1/2"	21,6	13	40,49	57	18,24	46	36	16	19	9	M8x30	5/16x1"1/4	4075
	<b>FS06-0806</b>	1/2"	17,5	13	40,49	57	18,24	46	36	16	19	9	M8x30	5/16x1"1/4	4075
	<b>FS06-12</b>	3/4"	27,2	19	50,80	71	23,80	55	35	21	22	11	M10x40	3/8x1"1/2	4100
	<b>FS06-16</b>	1"	34	25	57,15	81	27,76	65	42	25	22	13	M12x45	7/16x1"3/4	4131
	<b>FS06-20</b>	1"1/4	42,8	32	66,68	95	31,75	78	45	27	25	15	M14x45	1/2x1"3/4	4150
	<b>FS06-24</b>	1"1/2	48,6	38	79,38	112	36,50	94	50	30	28	17	M16x50	5/8x2"	4187
	<b>FS06-32</b>	2"	61	51	96,82	134	44,45	114	65	37	24	21	M20x70	3/4x2"1/2	4225
	<b>FS06-40</b>	2"1/2	76,6	63	123,80	180	58,70	152	80	45	32	26	M24x80	-	4275
<b>FS06-48</b>	3"	90,5	73	152,40	208	71,40	178	90	55	30	33	M30x100	-	4337	

Как заказать / How to Order:

Только фланец / Only Flange

**FS0...08**

 Фланец в комплекте с болтами UNC, шайбами и уплотнительным кол  
 Complete flange with UNC screws, washers and o'ring

**FS0...08U**

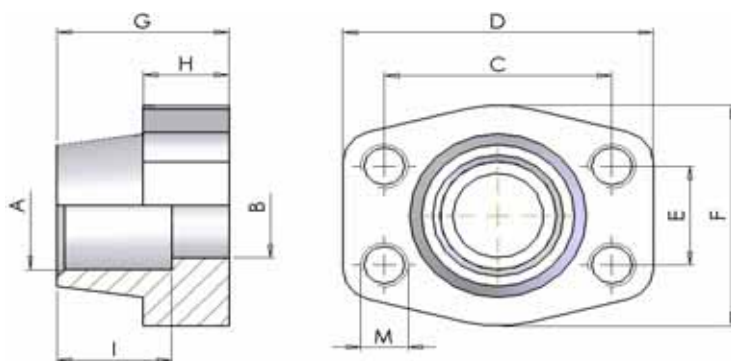
 Фланец в комплекте с метрическими болтами, шайбами и уплотните  
 Complete flange with metric screws, washers and o'ring

**FS0...08M**



**CS03** Приварная ответная часть фланца

**CS06** Weld in counter-flanges



max pressure bar	part number	SAE size	Dimensions									Metric M	Unc
			A	B	C	D	E	F	G	H	I		

**3000 psi**

345	<b>CS03-08</b>	1/2"	21,6	13	38,10	57	17,48	46	36	16	19	M8	5/16
	<b>CS03-0806</b>	1/2"	17,5	13	38,10	57	17,48	46	36	16	19	M8	5/16
	<b>CS03-12</b>	3/4"	27,2	19	47,63	65	22,23	50	36	18	19	M10	3/8
	<b>CS03-16</b>	1"	34	25	52,37	70	26,19	55	38	18	19	M10	3/8
276	<b>CS03-20</b>	1 1/4"	42,8	32	58,72	79	30,18	68	41	21	22	M10	7/16
207	<b>CS03-24</b>	1 1/2"	48,6	38	69,85	93	35,71	78	45	25	24	M12	1/2
	<b>CS03-32</b>	2"	61	51	77,77	102	42,88	90	45	25	26	M12	1/2
172	<b>CS03-40</b>	2 1/2"	76,6	63	88,90	114	50,80	105	50	25	30	M12	1/2
138	<b>CS03-48</b>	3"	90,5	73	106,38	134	61,93	124	50	27	34	M16	5/8
34	<b>CS03-56</b>	3 1/2"	103	89	120,65	152	69,85	136	48	27	34	M16	5/8
	<b>CS03-64</b>	4"	115,5	99	130,18	162	77,77	146	48	27	34	M16	5/8

**6000 psi**

414	<b>CS06-0808</b>	1/2"	21,6	13	40,49	57	18,24	46	36	16	19	M8	5/16
	<b>CS06-0806</b>	1/2"	17,5	13	40,49	57	18,24	46	36	16	19	M8	5/16
	<b>CS06-12</b>	3/4"	27,2	19	50,80	71	23,80	55	35	21	22	M10	3/8
	<b>CS06-16</b>	1"	34	25	57,15	81	27,76	65	42	25	22	M12	7/16
	<b>CS06-20</b>	1 1/4"	42,8	32	66,68	95	31,75	78	45	27	25	M14	1/2
	<b>CS06-24</b>	1 1/2"	48,6	38	79,38	112	36,50	94	50	30	28	M16	5/8
	<b>CS06-32</b>	2"	61	51	96,82	134	44,45	114	65	37	24	M20	3/4
	<b>CS06-40</b>	2 1/2"	76,6	63	123,80	180	58,70	152	80	45	32	M24	-
	<b>CS06-48</b>	3"	90,5	73	152,40	208	71,40	178	90	55	30	M30	-

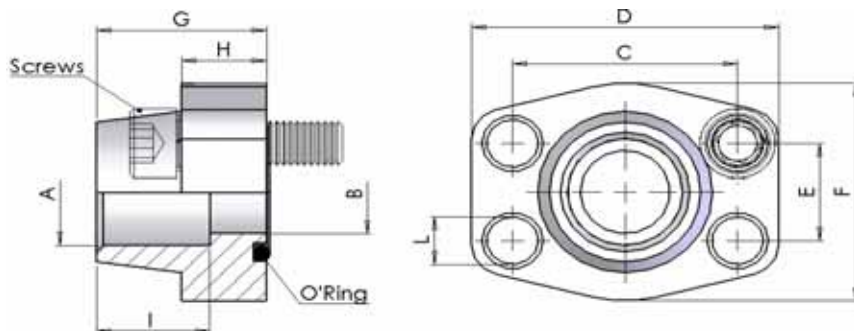
Как заказать / How to Order:

Ответная часть фланца под соединение метрическими болтами  
Counter flange with metric tapholes CS0...08

Ответная часть фланца под соединение болтами UNC  
Counter flange with UNC tapholes CS0...08U

**FSM3**  
**FSM6** Приварной фланец под метрическую трубу

Metric pipe weld in flanges



max pressure bar	part number	SAE size	Dimensions										Viti Screws		O' R type
			A	B	C	D	E	F	G	H	I	L	Metric	Unc	

**3000 psi**

345	<b>FSM3-08</b>	1/2"	20,3	13	38,10	57	17,48	46	36	16	19	9,0	M8x30	5/16x1"1/4	4075
	<b>FSM3-12</b>	3/4"	25,3	19	47,63	65	22,23	50	36	18	19	11,0	M10x35	3/8x1"1/2	4100
	<b>FSM3-16</b>	1"	30,3	25	52,37	70	26,19	55	38	18	19	11,0	M10x35	3/8x1"1/2	4131
276	<b>FSM3-20</b>	1"1/4	38,3	32	58,72	79	30,18	68	41	21	22	11,5	M10x40	7/16x1"3/4	4150
207	<b>FSM3-24</b>	1"1/2	50,5	38	69,85	93	35,71	78	45	25	24	13,5	M12x45	1/2x1"3/4	4187

**6000 psi**

414	<b>FSM6-08</b>	1/2"	20,3	13	40,49	57	18,24	46	36	16	19	9	M8x30	5/16x1"1/4	4075
	<b>FSM6-12</b>	3/4"	25,3	19	50,80	71	23,80	55	35	21	22	11	M10x40	3/8x1"1/2	4100
	<b>FSM6-16</b>	1"	30,3	25	57,15	81	27,76	65	42	25	22	13	M12x45	7/16x1"3/4	4131
	<b>FSM6-20</b>	1"1/4	38,3	32	66,68	95	31,75	78	45	27	25	15	M14x45	1/2x1"3/4	4150
	<b>FSM6-2026</b>	1"1/4	38,3	26	66,68	95	31,75	78	45	27	25	15	M14x45	-	4150
	<b>FSM6-2028</b>	1"1/4	38,3	28	66,68	95	31,75	78	45	27	25	15	M14x45	-	4150
	<b>FSM6-24</b>	1"1/2	50,5	38	79,38	112	36,50	94	50	30	28	17	M16x50	5/8x2"	4187

Как заказать / How to Order:

Только фланец / Only Flange

**FSM...08**

 Фланец в комплекте с болтами UNC, шайбами и уплотнительным кол  
 Complete flange with UNC screws, washers and o'ring

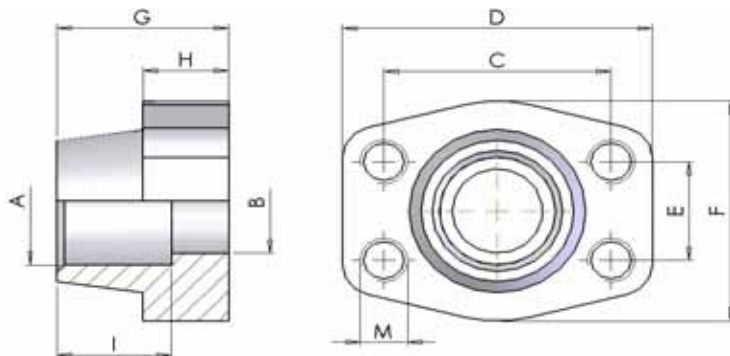
**FSM....08U**

 Фланец в комплекте с метрическими болтами, шайбами и уплотните  
 Complete flange with metric screws, washers and o'ring

**FSM.....08M**

**CSM3** Приварная ответная часть фланца  
**CSM6** под метрическую трубу

Metric pipe weld in counter-flanges



max pressure bar	part number	SAE size	Dimensions									Metric	Unc
			A	B	C	D	E	F	G	H	I	M	

**3000 psi**

345	<b>CSM3-08</b>	1/2"	20,3	13	38,10	57	17,48	46	36	16	19	M8	5/16
	<b>CSM3-12</b>	3/4"	25,3	19	47,63	65	22,23	50	36	18	19	M10	3/8
	<b>CSM3-16</b>	1"	30,3	25	52,37	70	26,19	55	38	18	19	M10	3/8
276	<b>CSM3-20</b>	1"1/4	38,3	32	58,72	79	30,18	68	41	21	22	M10	7/16
207	<b>CSM3-24</b>	1"1/2	50,5	38	69,85	93	35,71	78	45	25	24	M12	1/2

**6000 psi**

414	<b>CSM6-08</b>	1/2"	20,3	13	40,49	57	18,24	46	36	16	19	M8	5/16
	<b>CSM6-12</b>	3/4"	25,3	19	50,80	71	23,80	55	35	21	22	M10	3/8
	<b>CSM6-16</b>	1"	30,3	25	57,15	81	27,76	65	42	25	22	M12	7/16
	<b>CSM6-20</b>	1"1/4	38,3	32	66,68	95	31,75	78	45	27	25	M14	1/2
	<b>CSM6-2026</b>	1"1/4	38	26	66,68	95	31,75	78	45	27	25	M14	1/2
	<b>CSM6-2028</b>	1"1/4	38	28	66,68	95	31,75	78	45	27	25	M14	1/2
	<b>CSM6-24</b>	1"1/2	50,5	38	79,38	112	36,50	94	50	30	28	M16	5/8

Как заказать / How to Order:

Ответная часть фланца под соединение метрическими болтами  
 Counter flange with metric tapholes

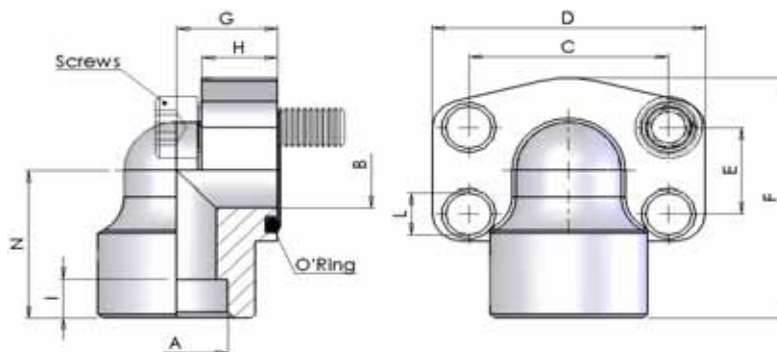
CSM...08

Ответная часть фланца под соединение болтами UNC  
 Counter flange with UNC tapholes

CSM...08U

**NS03**
**Приварной фланец 90°**
**NS06**

Weld In 90° Flanges



max pressure bar	part number	SAE size	Dimensions											Viti Screws		O' R type
			A	B	C	D	E	F	G	H	I	L	N	Metric	Unc	

**3000 psi**

345	<b>NS03-08</b>	1/2"	21,6	13,0	38,10	54	17,48	60	20	16	10	9,0	37	M8x30	5/16x1"1/4	4075
	<b>NS03-0806</b>	1/2"	17,5	13,0	38,10	54	17,48	60	20	16	10	9,0	37	M8x30	5/16x1"1/4	4075
	<b>NS03-12</b>	3/4"	27,2	19,0	47,63	65	22,23	63	24	18	10	11,0	38	M10x35	3/8x1"1/2	4100
	<b>NS03-16</b>	1"	34,0	25,0	52,37	70	26,19	70	28	19	12	11,0	43	M10x35	3/8x1"1/2	4131
276	<b>NS03-20</b>	1"1/4	42,8	32,0	58,72	79	30,18	85	34	21	14	11,5	51	M10x40	7/16x1"3/4	4150
207	<b>NS03-24</b>	1"1/2	48,6	38,0	69,85	93	35,71	95	38	25	16	13,5	56	M12x45	1/2x1"3/4	4187
	<b>NS03-32</b>	2"	61,0	51,0	77,77	110	42,88	110	42	25	18	13,5	65	M12x45	1/2x1"3/4	4225

**6000 psi**

414	<b>NS06-0808</b>	1/2"	21,6	13,0	40,49	54	18,24	60	20	16	10	9	37	M8x30	5/16x1"1/4	4075
	<b>NS06-0806</b>	1/2"	17,5	13,0	40,49	54	18,24	60	20	16	10	9	37	M8x30	5/16x1"1/4	4075
	<b>NS06-12</b>	3/4"	27,2	19,0	50,80	70	23,80	70	28	19	12	11	43	M10x40	3/8x1"1/2	4100
	<b>NS06-16</b>	1"	34,0	25,0	57,15	79	27,76	85	34	21	14	13	51	M12x45	7/16x1"3/4	4131
	<b>NS06-20</b>	1"1/4	42,8	32,0	66,68	93	31,75	95	38	25	16	15	56	M14x45	1/2x1"3/4	4150
	<b>NS06-24</b>	1"1/2	48,6	38,0	79,38	110	36,50	110	42	25	18	17	65	M16x50	5/8x2"	4187
	<b>NS06-32</b>	2"	61,0	51,0	96,82	134	44,45	132	45	35	25	21	75	M20x70	3/4x2"1/2	4225

Как заказать / How to Order:

Только фланец / Only Flange

**NS0...08**

 Фланец в комплекте с болтами UNC, шайбами и уплотнительным кол  
 Complete flange with UNC screws, washers and o'ring

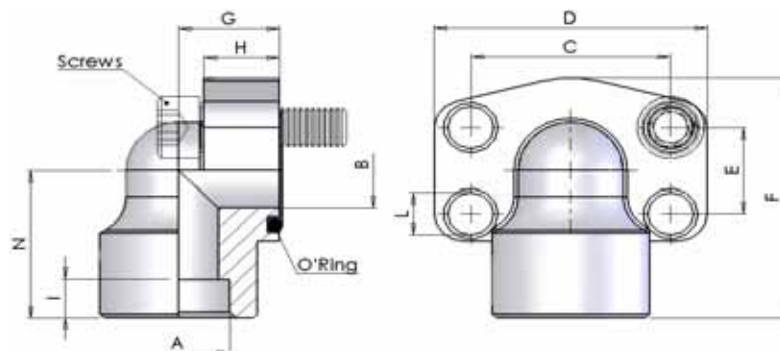
**NS0...08U**

 Фланец в комплекте с метрическими болтами, шайбами и уплотните  
 Complete flange with metric screws, washers and o'ring

**NS0...08M**

**NSM3** Приварной фланец 90° под  
**NSM6** метрическую трубу

Metric pipe weld in 90° flanges



max pressure bar	part number	SAE size	Dimensions											Viti Screws		O' R type
			A	B	C	D	E	F	G	H	I	L	N	Metric	Unc	

**3000 psi**

345	<b>NSM3-08</b>	1/2"	20,3	13,0	38,10	54	17,48	60	20	16	10,0	9,0	37	M8x30	5/16x1"1/4	4075
	<b>NSM3-12</b>	3/4"	25,3	19,0	47,63	65	22,23	63	24	18	10,0	11,0	38	M10x35	3/8x1"1/2	4100
	<b>NSM3-16</b>	1"	30,3	25,0	52,37	70	26,19	70	28	19	12,0	11,0	43	M10x35	3/8x1"1/2	4131
276	<b>NSM3-20</b>	1"1/4	38,3	32,0	58,72	79	30,18	85	34	21	14,0	11,5	51	M10x40	7/16x1"3/4	4150
207	<b>NSM3-24</b>	1"1/2	50,5	38,0	69,85	93	35,71	95	38	25	16,0	13,5	56	M12x45	1/2x1"3/4	4187

**6000 psi**

414	<b>NSM6-08</b>	1/2"	20,3	13,0	40,49	54	18,24	60	20	16	10	9	37	M8x30	5/16x1"1/4	4075
	<b>NSM6-12</b>	3/4"	25,3	19,0	50,80	70	23,80	70	28	19	12	11	43	M10x40	3/8x1"1/2	4100
	<b>NSM6-16</b>	1"	30,3	25,0	57,15	79	27,76	85	34	21	14	13	51	M12x45	7/16x1"3/4	4131
	<b>NSM6-20</b>	1"1/4	38,3	32,0	66,68	93	31,75	95	38	25	16	15	56	M14x45	1/2x1"3/4	4150
	<b>NSM6-24</b>	1"1/2	50,5	38,0	79,38	110	36,50	110	42	25	18	17	65	M16x50	5/8x2"	4187

Как заказать / How to Order:

Только фланец / Only Flange

**NSM...08**

Фланец в комплекте с болтами UNC, шайбами и уплотнительным кол  
 Complete flange with UNC screws, washers and o'ring

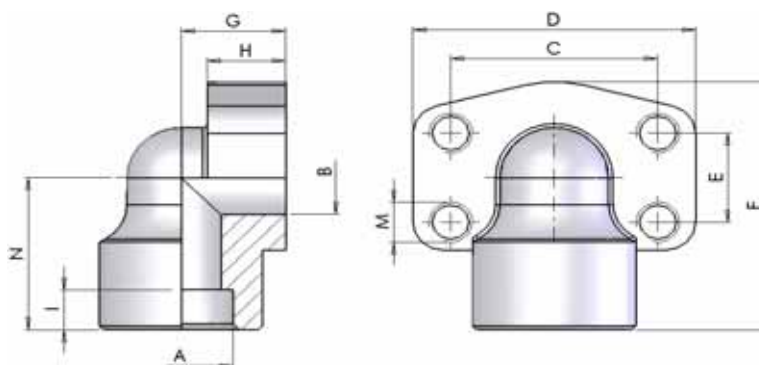
**NSM....08U**

Фланец в комплекте с метрическими болтами, шайбами и уплотните  
 Complete flange with metric screws, washers and o'ring

**NSM.....08M**

**VS03** Приварная ответная часть  
**VS06** фланца 90°

Weld in 90° counter-flanges



max pressure bar	part number	SAE size	Dimensions										Metric M
			A	B	C	D	E	F	G	H	I	N	

**3000 psi**

345	<b>VS03-08</b>	1/2"	21,6	13	38,10	54	17,48	17	20	16	10	37	M8
	<b>VS03-0806</b>	1/2"	17,5	13	38,10	54	17,48	17	20	16	10	37	M8
	<b>VS03-12</b>	3/4"	27,2	19	47,63	65	22,23	22	24	18	10	38	M10
	<b>VS03-16</b>	1"	34,0	25	52,37	70	26,19	26	28	19	12	43	M10
276	<b>VS03-20</b>	1 1/4"	42,8	32	58,72	79	30,18	30	34	21	14	51	M10
207	<b>VS03-24</b>	1 1/2"	48,6	38	69,85	93	35,71	36	38	25	16	56	M12
	<b>VS03-32</b>	2"	61,0	51	77,77	110	42,88	43	42	25	18	65	M12

**6000 psi**

414	<b>VS06-0808</b>	1/2"	21,6	13	40,49	54	18,24	18	20	16	10	37	M8
	<b>VS06-0806</b>	1/2"	17,5	13	40,49	54	18,24	18	20	16	10	37	M8
	<b>VS06-12</b>	3/4"	27,2	19	50,80	70	23,80	24	28	19	12	43	M10
	<b>VS06-16</b>	1"	34,0	25	57,15	79	27,76	28	34	21	14	51	M12
	<b>VS06-20</b>	1 1/4"	42,8	32	66,68	93	31,75	32	38	25	16	56	M14
	<b>VS06-24</b>	1 1/2"	48,6	38	79,38	110	36,50	37	42	25	18	65	M16
	<b>VS06-32</b>	2"	61,0	51	96,82	134	44,45	44	45	35	25	75	M20

Как заказать / How to Order:

Ответная часть фланца под соединение метрическими болтами  
 Counter flange with metric tapholes

VS0...08

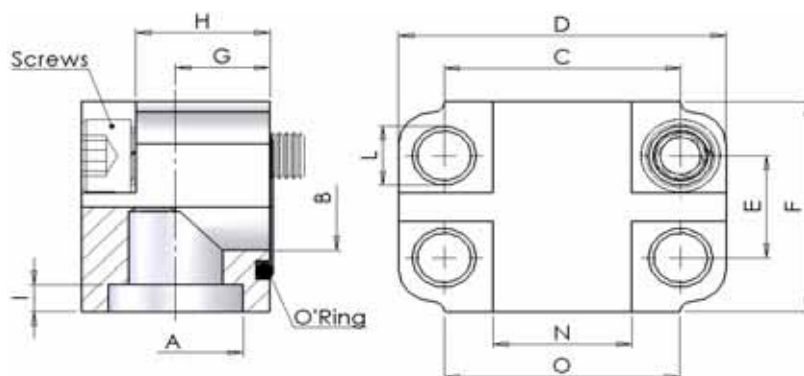
Ответная часть фланца под соединение болтами UNC  
 Counter flange with UNC tapholes

VS0...08U



**BS03**
**Приварной фланец 90°**
**BS06**

Weld In 90° Flanges



max pressure bar	part number	SAE size	Dimensions												Viti Screws		O' R type
			A	B	C	D	E	F	G	H	I	L	N	O	Metric		

**3000 psi**

345	<b>BS03-12</b>	3/4"	27,2	19	47,63	66	22,23	46	19	27	5	11	28	48	M10x45	4100
	<b>BS03-16</b>	1"	34,0	25	52,37	71	26,19	55	22	34	6	11	32	50	M10x50	4131
276	<b>BS03-20</b>	1"1/4	42,8	32	58,72	81	30,18	65	27	42	7	12	35	60	M10x60	4150
207	<b>BS03-24</b>	1"1/2	48,6	38	69,85	95	35,71	75	32	50	8	14	42	70	M12x70	4187
	<b>BS03-32</b>	2"	61,0	51	77,77	112	42,88	90	40	63	10	14	50	80	M12x80	4225
172	<b>BS03-40</b>	2"1/2	76,6	63	88,90	120	50,80	120	53	99	15	14	-	-	-	4275

**6000 psi**

414	<b>BS06-12</b>	3/4"	27,2	19	50,80	71	23,80	55	22	34	6	11	32	50	M10x50	4100
	<b>BS06-16</b>	1"	34,0	25	57,15	81	27,76	65	27	42	7	13	35	60	M12x60	4131
	<b>BS06-20</b>	1"1/4	42,8	32	66,68	95	31,75	75	32	50	8	15	42	70	M14x70	4150
	<b>BS06-24</b>	1"1/2	48,6	38	79,38	112	36,50	90	40	63	10	17	50	80	M16x90	4187

Как заказать / How to Order:

Только фланец / Only Flange

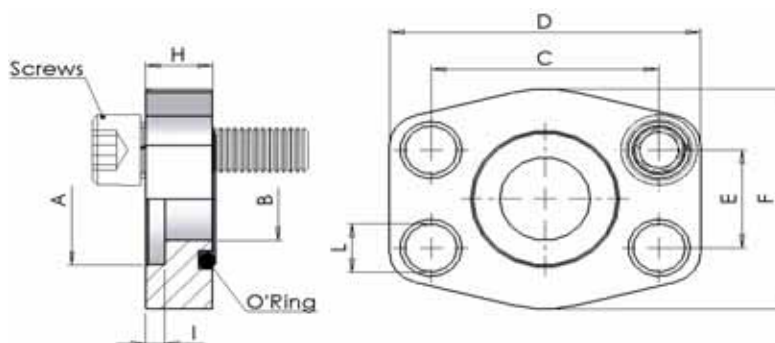
**BS0...08**

 Фланец в комплекте с метрическими болтами, шайбами и уплотнителем  
 Complete flange with metric screws, washers and o'ring

**BS0...08M**

## PS03 Головка фланца приварная

Weld In Flat Flanges



max pressure bar	part number	SAE size	Dimensions									Viti Screws	O' R
			A	B	C	D	E	F	H	I	L	Metric	type

3000 psi

40	PS03-08	1/2"	22,5	15	38,10	56	17,48	46	14	3	9,0	M8x25	4075
	PS03-12	3/4"	28,5	20	47,63	65	22,23	50	12	4	11,0	M10x30	4100
	PS03-16	1"	35,5	29	52,37	70	26,19	55	12	4	11,0	M10x30	4131
	PS03-20	1"1/4	42,5	34	58,72	79	30,18	68	12	4	11,5	M10x30	4150
	PS03-24	1"1/2	49,0	42	69,85	93	35,71	78	15	4	13,5	M12x35	4187
	PS03-32	2"	61,0	53	77,77	102	42,88	90	15	4	13,5	M12x35	4225
	PS03-40	2"1/2	77,0	64	88,90	114	50,80	105	15	4	13,5	M12x35	4275
	PS03-48	3"	90,0	80	106,38	134	61,93	124	20	5	17,5	M16x50	4337
	PS03-56	3"1/2	103,0	93	120,65	152	69,85	136	20	5	17,5	M16x50	4387
	PS03-64	4"	116,0	105	130,18	162	77,77	146	25	6	17,5	M16x50	4437

Как заказать / How to Order:

Только фланец / Only Flange

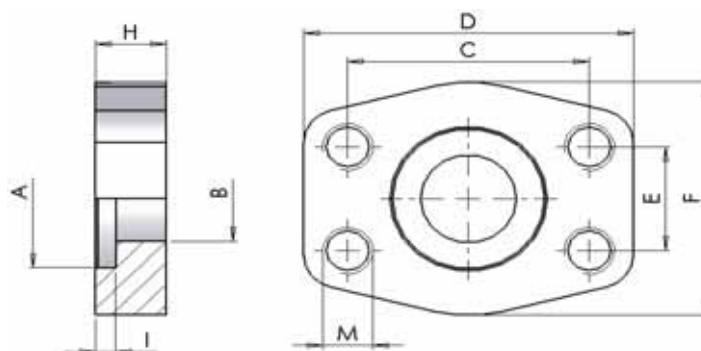
PS0...08

Фланец в комплекте с метрическими болтами, шайбами и уплотнителем  
Complete flange with metric screws, washers and o'ring

PS0...08M

## LS03 Приварная ответная часть фланца

Weld In Flat Counter Flanges



max pressure bar	part number	SAE size	Dimensions								Metric M	Unc
			A	B	C	D	E	F	H	I		

3000 psi

40	LS03-08	1/2"	22,5	15	38,10	56	17,48	46	14	3	M8	5/16
	LS03-12	3/4"	28,5	20	47,63	65	22,23	50	12	4	M10	3/8
	LS03-16	1"	35,5	29	52,37	70	26,19	55	12	4	M10	3/8
	LS03-20	1"1/4	42,5	34	58,72	79	30,18	68	12	4	M10	7/16
	LS03-24	1"1/2	49,0	42	69,85	93	35,71	78	15	4	M12	1/2
	LS03-32	2"	61	53	77,77	102	42,88	90	15	4	M12	1/2
	LS03-40	2"1/2	77	64	88,90	114	50,80	105	15	4	M12	1/2
	LS03-48	3"	90	80	106,38	134	61,93	124	20	5	M16	5/8
	LS03-56	3"1/2	103	93	120,65	152	69,85	136	20	5	M16	5/8
	LS03-64	4"	116	105	130,18	162	77,77	146	25	6	M16	5/8

Как заказать / How to Order:

Ответная часть фланца под соединение метрическими болтами  
Counter flange with metric tapholes

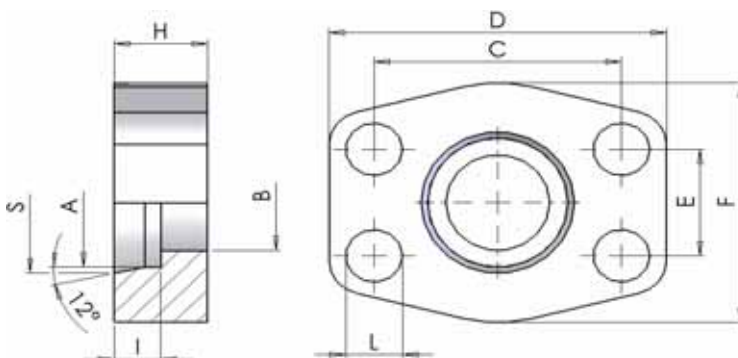
LS0...08

Ответная часть фланца под соединение болтами UNC  
Counter flange with UNC tapholes

LS0...08U

### FFTR Приварная головка фланца с пазом

Pocket Flat Flanges



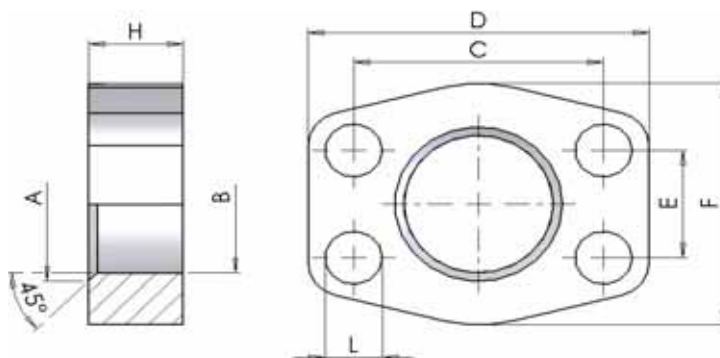
max pressure bar	part number	SAE size	Dimensions									
			A	B	C	D	E	F	H	I	L	S

6000 psi

414	FFTR-0817	1/2"	17,0	14	40,49	56	18,24	48	14	9	9,0	19,5
	FFTR-0822	1/2"	22,0	16	40,49	56	18,24	48	14	9	9,0	24
	FFTR-12	3/4"	27,0	20	50,80	71	23,80	60	18	9	11,0	29,5
	FFTR-16	1"	34,0	26	57,15	81	27,76	70	22	13	14,0	36
	FFTR-20	1 1/4"	43,0	32	66,68	95	31,75	78	25	16	16,0	46

### FFOR Приварная головка фланца с цилиндрическим отверстием

Flat Flanges With Through Hole



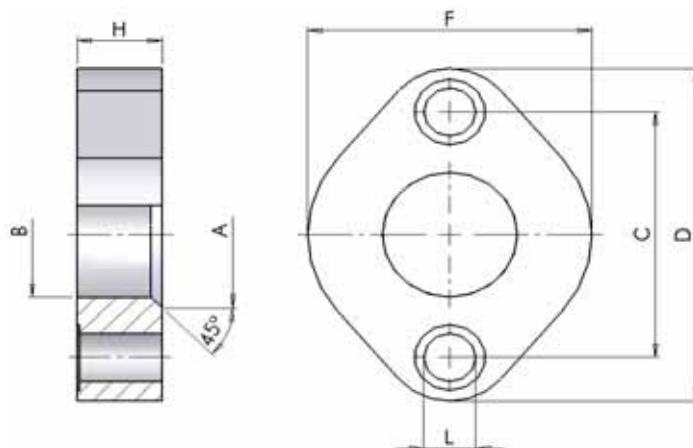
max pressure bar	part number	SAE size	Dimensions									
			A	B	C	D	E	F	H	L		

6000 psi

414	FFOR-08	1/2"	22	21	40,49	56	18,24	48	14	9
	FFOR-10	1/2"	27	24	40,49	56	18,24	48	14	9
	FFOR-12	3/4"	32	29	50,80	71	23,80	60	18	11
	FFOR-16	1"	43	38	57,15	81	27,76	70	22	14
	FFOR-20	1 1/4"	49	44	66,68	95	31,75	78	25	16

**FFOR** Овальная головка фланца с цилиндрическим отверстием

Oval Flanges With Through Hole



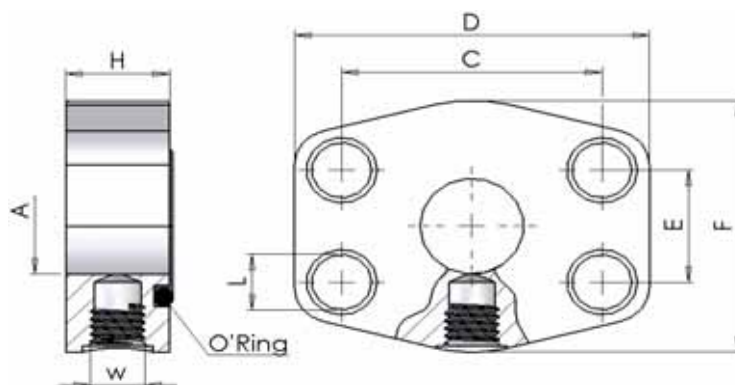
max pressure bar	part number	SAE size	Dimensions						
			A	B	C	D	F	H	L

6000 psi

414	FFOR-08-2F	1/2"	22	20,5	44,40	60	48	14	8,5
	FFOR-10-2F	1/2"	27	24,0	44,40	60	48	14	8,5
	FFOR-12-2F	3/4"	32	28,5	56,10	76	60	18	10,5
	FFOR-16-2F	1"	43	37,5	63,60	88	70	22	12,5
	FFOR-20-2F	1 1/4"	49	44,0	73,90	103	78	25	14,5

**FFC3** **Фланец с измерительным портом**  
**FFC6**

Check Pressure Sae Flange



max pressure bar	part number	SAE size	Dimensions							O' R type
			A	C	D	E	F	H	L	

**3000 psi**

345	<b>FFC3-16</b>	1"	25,0	52,37	71	26,19	60	19	11	M10 - G1/8	4131
276	<b>FFC3-20</b>	1"1/4	32	58,72	81	30,18	68	20	12	M10 - M12 - G1/8 - G1/4	4150
207	<b>FFC3-24</b>	1"1/2	38	69,85	95	35,71	78	25	14	M10 - M12 - G1/8 - G1/4	4187
	<b>FFC3-32</b>	2"	51	77,77	102	42,88	90	19	14	M10 - G1/8	4225
172	<b>FFC3-40</b>	2"1/2	63	88,90	114	50,80	105	19	14	M10 - G1/8	4275
138	<b>FFC3-48</b>	3"	73	106,38	134	61,93	124	23	18	M10 - M12 - G1/8 - G1/4	4337

**6000 psi**

414	<b>FFC6-12</b>	3/4"	19	50,80	71	23,80	60	19	11	M10 - G1/8	4100
	<b>FFC6-16</b>	1"	25	57,15	81	27,76	70	22	13	M10 - M12 - G1/8 - G1/4	4131
	<b>FFC6-20</b>	1"1/4	32	66,68	95	31,75	78	25	15	M10 - M12 - G1/8 - G1/4	4150
	<b>FFC6-24</b>	1"1/2	38	79,38	112	36,50	94	28	17	M10 - M12 - G1/8 - G1/4	4187
	<b>FFC6-32</b>	2"	51	96,82	134	44,45	114	28	21	M10 - M12 - G1/8 - G1/4	4225

Как заказать / How to Order:

Только фланец с метрическим портом (пример заказа)  
 Only flange with metric hole (ordering example)

**FFC3-20M12**

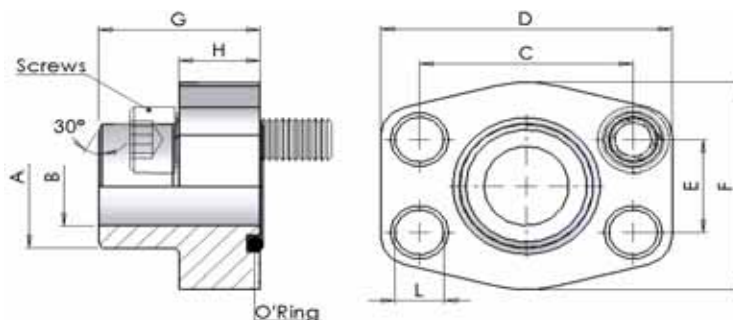
Только фланец с портом BSP (пример заказа)  
 Only flange with BSP hole (ordering example)

**FFC3-20G04**



**FB03**  
**FB06** Фланец приварной

Weld On Flanges



max pressure bar	part number	SAE size	Dimensions									Viti Screws		O' R type
			A	B	C	D	E	F	G	H	L	Metric	Unc	

3000 psi

345	<b>FB03-08</b>	1/2"	21,5	13	38,10	57	17,48	46	36	16	9,0	M8x30	5/16x1"1/4	4075
	<b>FB03-0806</b>	1/2"	17,5	13	38,10	57	17,48	46	36	16	9,0	M8x30	5/16x1"1/4	4075
	<b>FB03-12</b>	3/4"	28,0	19	47,63	65	22,23	50	36	18	11,0	M10x35	3/8x1"1/2	4100
	<b>FB03-16</b>	1"	34,0	25	52,37	70	26,19	55	38	18	11,0	M10x35	3/8x1"1/2	4131
276	<b>FB03-20</b>	1"1/4	42,8	32	58,72	79	30,18	68	41	21	11,5	M10x40	7/16x1"3/4	4150
207	<b>FB03-24</b>	1"1/2	48,6	38	69,85	93	35,71	78	44	25	13,5	M12x45	1/2x1"3/4	4187
	<b>FB03-32</b>	2"	61,0	51	77,77	102	42,88	90	45	25	13,5	M12x45	1/2x1"3/4	4225
172	<b>FB03-40</b>	2"1/2	77,0	63	88,90	114	50,80	105	50	25	13,5	M12x45	1/2x1"3/4	4275
138	<b>FB03-48</b>	3"	92,0	73	106,38	134	61,93	124	50	27	17,5	M16x50	5/8x2"	4337
34	<b>FB03-56</b>	3"1/2	103,0	89	120,65	152	69,85	136	48	27	17,5	M16x50	5/8x2"	4387
	<b>FB03-64</b>	4"	115,5	99	130,18	162	77,77	146	48	27	17,5	M16x50	5/8x2"	4437

6000 psi

414	<b>FB06-0808</b>	1/2"	21,5	13	40,49	57	18,24	46	36	16	9	M8x30	5/16x1"1/4	4075
	<b>FB06-0806</b>	1/2"	17,5	13	40,49	57	18,24	46	36	16	9	M8x30	5/16x1"1/4	4075
	<b>FB06-12</b>	3/4"	28,0	19	50,80	71	23,80	55	35	21	11	M10x40	3/8x1"1/2	4100
	<b>FB06-16</b>	1"	34,0	25	57,15	79	27,76	68	41	21	13	M12x45	7/16x1"3/4	4131
375	<b>FB06-20</b>	1"1/4	42,8	32	66,68	93	31,75	78	44	25	15	M14x45	1/2x1"3/4	4150
320	<b>FB06-24</b>	1"1/2	48,6	38	79,38	112	36,50	94	55	30	17	M16x50	5/8x2"	4187
250	<b>FB06-32</b>	2"	61,0	51	96,82	134	44,45	114	65	37	21	M20x70	3/4x2"1/2	4225
230	<b>FB06-40</b>	2"1/2	76,6	63	123,80	180	58,70	152	80	45	26	M24x80	--	4275
200	<b>FB06-48</b>	3"	90,0	73	152,40	208	71,40	178	90	55	33	M30x100	--	4337

Как заказать / How to Order:

Только фланец / Only Flange

**FB0...08**

 Фланец в комплекте с болтами UNC, шайбами и уплотнительным кол  
 Complete flange with UNC screws, washers and o'ring

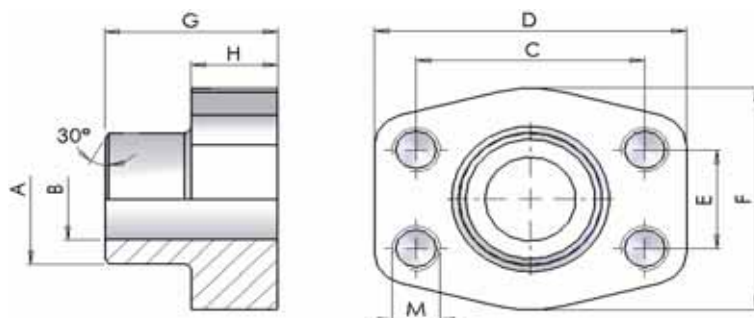
**FB0...08U**

 Фланец в комплекте с метрическими болтами, шайбами и уплотните  
 Complete flange with metric screws, washers and o'ring

**FB0...08M**

**CB03** Приварная ответная часть  
**CB06** фланца

Weld On Counter-Flanges



max pressure bar	part number	SAE size	Dimensions								Metric M	Unc
			A	B	C	D	E	F	G	H		

**3000 psi**

345	<b>CB03-08</b>	1/2"	21,5	13	38,10	57	17,48	46	36	16	M8	5/16
	<b>CB03-0806</b>	1/2"	17,5	13	38,10	57	17,48	46	36	16	M8	5/16
	<b>CB03-12</b>	3/4"	28,0	19	47,63	65	22,23	50	36	18	M10	3/8
	<b>CB03-16</b>	1"	34,0	25	52,37	70	26,19	55	38	18	M10	3/8
276	<b>CB03-20</b>	1 1/4"	42,8	32	58,72	79	30,18	68	41	21	M10	7/16
207	<b>CB03-24</b>	1 1/2"	48,6	38	69,85	93	35,71	78	44	25	M12	1/2
	<b>CB03-32</b>	2"	61,0	51	77,77	102	42,88	90	45	25	M12	1/2
172	<b>CB03-40</b>	2 1/2"	77,0	63	88,90	114	50,80	105	50	25	M12	1/2
138	<b>CB03-48</b>	3"	92,0	73	106,38	134	61,93	124	50	27	M16	5/8
34	<b>CB03-56</b>	3 1/2"	103,0	89	120,65	152	69,85	136	48	27	M16	5/8
	<b>CB03-64</b>	4"	115,5	99	130,18	162	77,77	146	48	27	M16	5/8

**6000 psi**

414	<b>CB06-0808</b>	1/2"	21,5	13	40,49	57	18,24	46	36	16	M8	5/16
	<b>CB06-0806</b>	1/2"	17,5	13	40,49	57	18,24	46	36	16	M8	5/16
	<b>CB06-12</b>	3/4"	28,0	19	50,80	71	23,80	55	35	21	M10	3/8
	<b>CB06-16</b>	1"	34,0	25	57,15	79	27,76	68	41	21	M12	7/16
375	<b>CB06-20</b>	1 1/4"	42,8	32	66,68	93	31,75	78	44	25	M14	1/2
320	<b>CB06-24</b>	1 1/2"	48,6	38	79,38	112	36,50	94	55	30	M16	5/8
250	<b>CB06-32</b>	2"	61,0	51	96,82	134	44,45	114	65	37	M20	3/4
230	<b>CB06-40</b>	2 1/2"	76,6	63	123,80	180	58,70	152	80	45	M24	----
200	<b>CB06-48</b>	3"	90,0	73	152,40	208	71,40	178	90	55	M30	----

Как заказать / How to Order:

Ответная часть фланца под соединение метрическими болтами  
 Counter flange with metric tapholes

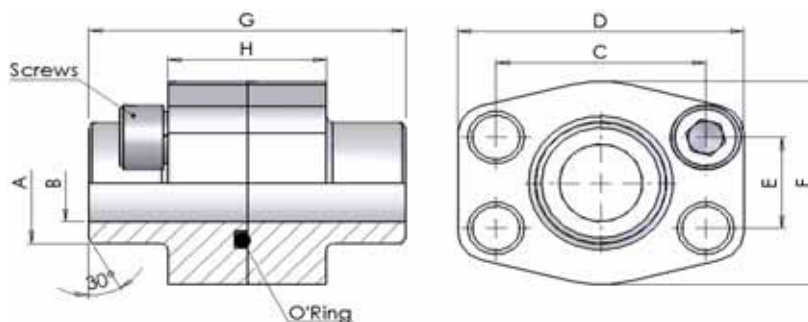
CB0...08

Ответная часть фланца под соединение болтами UNC  
 Counter flange with UNC tapholes

CB0...08U

**DB03** Парный приварной фланец  
**DB06**

Weld On Double Flanges



max pressure bar	part number	SAE size	Dimensions								Viti Screws		O' R type
			A	B	C	D	E	F	G	H	Metric	Unc	

**3000 psi**

345	DB03-08	1/2"	21,5	13	38,10	57	17,48	46	72	32	M8x30	5/16x1"1/4	4075
	DB03-0806	1/2"	17,5	13	38,10	57	17,48	46	72	32	M8x30	5/16x1"1/4	4075
	DB03-12	3/4"	28,0	19	47,63	65	22,23	50	72	36	M10x35	3/8x1"1/2	4100
	DB03-16	1"	34,0	25	52,37	70	26,19	55	76	36	M10x35	3/8x1"1/2	4131
276	DB03-20	1"1/4	42,8	32	58,72	79	30,18	68	82	42	M10x40	7/16x1"3/4	4150
207	DB03-24	1"1/2	48,6	38	69,85	93	35,71	78	88	50	M12x45	1/2x1"3/4	4187
	DB03-32	2"	61,0	51	77,77	102	42,88	90	90	50	M12x45	1/2x1"3/4	4225
172	DB03-40	2"1/2	77,0	63	88,90	114	50,80	105	100	50	M12x45	1/2x1"3/4	4275
138	DB03-48	3"	92,0	73	106,38	134	61,93	124	100	54	M16x50	5/8x2"	4337
34	DB03-56	3"1/2	103,0	89	120,65	152	69,85	136	96	54	M16x50	5/8x2"	4387
	DB03-64	4"	115,5	99	130,18	162	77,77	146	96	54	M16x50	5/8x2"	4437

**6000 psi**

414	DB06-0808	1/2"	21,5	13	40,49	57	18,24	46	72	32	M8x30	5/16x1"1/4	4075
	DB06-0806	1/2"	17,5	13	40,49	57	18,24	46	72	32	M8x30	5/16x1"1/4	4075
	DB06-12	3/4"	28,0	19	50,80	71	23,80	55	70	42	M10x40	3/8x1"1/2	4100
	DB06-16	1"	34,0	25	57,15	79	27,76	68	82	42	M12x45	7/16x1"3/4	4131
375	DB06-20	1"1/4	42,8	32	66,68	93	31,75	78	88	50	M14x45	1/2x1"3/4	4150
320	DB06-24	1"1/2	48,6	38	79,38	112	36,50	94	110	60	M16x50	5/8x2"	4187
250	DB06-32	2"	61,0	51	96,82	134	44,45	114	130	74	M20x70	3/4x2"1/2	4225
230	DB06-40	2"1/2	76,6	63	123,80	180	58,70	152	160	90	M24x80	----	4275
200	DB06-48	3"	90,0	73	152,40	208	71,40	178	180	110	M30x100	----	4337

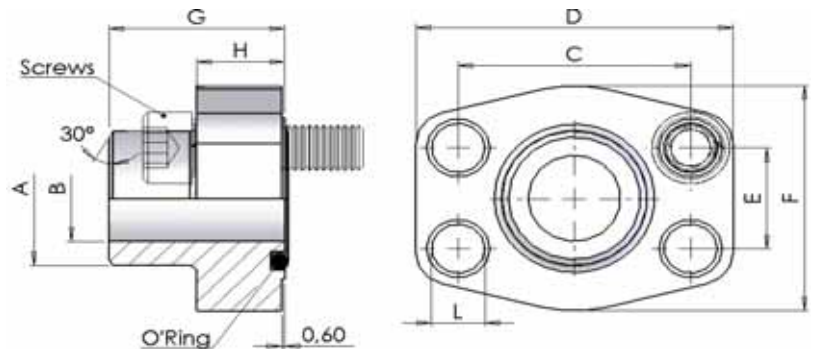
Как заказать / How to Order:

Парный фланец в комплекте с метрическими болтами, шайбами и уп.  
 Complete double flange with metrical screws, washers and o-ring DB0...08

Парный фланец в комплекте с болтами UNC, шайбами и уплотнител.  
 Complete double flange with UNC screws, washers and o-ring DB0...08U

**FBM3**

**Приварной фланец под метрическую трубу с цилиндрическим отверстием**  
**Metric Pipe Cylindric Hole Weld On Flanges**

**FBM6**


max pressure bar	part number	SAE size	Dimensions									Viti Screws		O' R type
			A	B	C	D	E	F	G	H	L	Metric	Unc	

### 3000 psi

345	<b>FBM3-12</b>	3/4"	25,0	19	47,63	65	22,23	50	36	18	11,0	M10x35	3/8x1"1/2	4100
	<b>FBM3-16</b>	1"	30,0	22	52,37	70	26,19	55	38	18	11,0	M10x35	3/8x1"1/2	4131
276	<b>FBM3-20</b>	1"1/4	38,0	30	58,72	79	30,18	68	41	21	11,5	M10x40	7/16x1"3/4	4150
207	<b>FBM3-24</b>	1"1/2	42,0	36	69,85	93	35,71	78	45	25	13,5	M12x45	1/2x1"3/4	4187
	<b>FBM3-2448</b>	1"1/2	49,0	38	69,85	93	35,71	78	45	25	13,5	M12x45	1/2x1"3/4	4187
	<b>FBM3-32</b>	2"	49,0	42	77,77	102	42,88	90	45	25	13,5	M12x45	1/2x1"3/4	4225
172	<b>FBM3-3260</b>	2"	61,0	49	77,77	102	42,88	90	45	25	13,5	M12x45	1/2x1"3/4	4225
	<b>FBM3-40</b>	2"1/2	77,0	62	88,90	114	50,80	105	50	25	13,5	M12x45	1/2x1"3/4	4275
138	<b>FBM3-48</b>	3"	77,0	70	106,38	134	61,93	124	51	26	17,5	M16x50	5/8x2"	4337
	<b>FBM3-4876</b>	3"	77,0	62	106,38	134	61,93	124	51	26	17,5	M16x50	5/8x2"	4337
34	<b>FBM3-56</b>	3"1/2	77,0	70	120,65	152	69,85	136	48	26	17,5	M16x50	5/8x2"	4387
	<b>FBM3-5688</b>	3"1/2	90,0	82	120,65	152	69,85	136	48	26	17,5	M16x50	5/8x2"	4387
	<b>FBM3-64</b>	4"	77,0	70	130,18	162	77,77	146	48	26	17,5	M16x50	5/8x2"	4437
	<b>FBM3-6488</b>	4"	90,0	82	130,18	162	77,77	146	48	26	17,5	M16x50	5/8x2"	4437

### 6000 psi

414	<b>FBM6-08</b>	1/2"	20,0	14	40,49	57	18,24	46	34	16	9	M8x30	5/16x1"1/4	4075
	<b>FBM6-12</b>	3/4"	20,0	14	50,80	71	23,80	55	35	21	11	M10x40	3/8x1"1/2	4100
	<b>FBM6-1225</b>	3/4"	25,0	17	50,80	71	23,80	55	35	21	11	M10x40	3/8x1"1/2	4100
	<b>FBM6-16</b>	1"	25,0	19	57,15	81	27,76	65	42	25	13	M12x45	7/16x1"3/4	4131
	<b>FBM6-1630</b>	1"	30,0	22	57,15	81	27,76	65	42	25	13	M12x45	7/16x1"3/4	4131
	<b>FBM6-20</b>	1"1/4	38,0	28	66,68	95	31,75	78	44	25	15	M14x45	1/2x1"3/4	4150
	<b>FBM6-24</b>	1"1/2	38,0	28	79,38	112	36,50	94	56	28	17	M16x50	5/8x2"	4187
	<b>FBM6-32</b>	2"	61,0	40	96,82	134	44,45	114	65	37	21	M20x70	3/4x2"1/2	4225
	<b>FBM6-40</b>	2"1/2	76,6	50	123,80	180	58,70	152	80	45	26	M24x80	---	4275

Как заказать / How to Order:

Только фланец / Only Flange

**FBM...08**

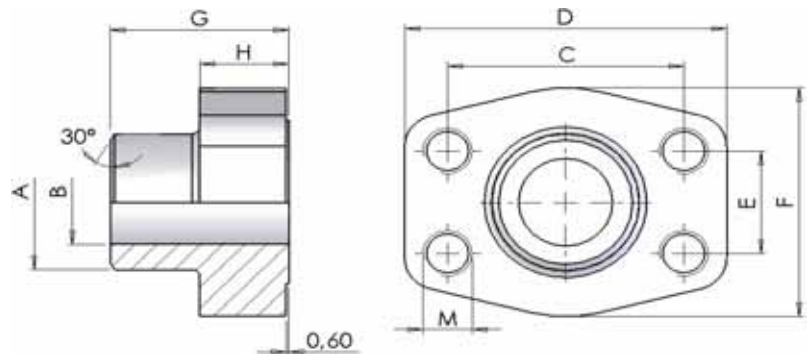
 Фланец в комплекте с болтами UNC, шайбами и уплотнительным кол  
 Complete flange with UNC screws, washers and o'ring

**FBM....08U**

 Фланец в комплекте с метрическими болтами, шайбами и уплотните  
 Complete flange with metric screws, washers and o'ring

**FBM....08M**

**CBM3** Приварная ответная часть  
**CBM6** фланца под метрическую трубу с  
 цилиндрическим отверстием  
 Metric Pipe Cylindric Hole Weld On Counter-  
 Flanges



max pressure bar	part number	SAE size	Dimensions								Metric M	Unc
			A	B	C	D	E	F	G	H		

**3000 psi**

345	<b>CBM3-12</b>	3/4"	25,0	19	47,63	65	22,23	50	36	18	M10	3/8
	<b>CBM3-16</b>	1"	30,0	22	52,37	70	26,19	55	38	18	M10	3/8
276	<b>CBM3-20</b>	1 1/4"	38,0	30	58,72	79	30,18	68	41	21	M10	7/16
207	<b>CBM3-24</b>	1 1/2"	42,0	36	69,85	93	35,71	78	45	25	M12	1/2
	<b>CBM3-2448</b>	1 1/2"	49,0	38	69,85	93	35,71	78	45	25	M12	1/2
	<b>CBM3-32</b>	2"	49,0	42	77,77	102	42,88	90	45	25	M12	1/2
172	<b>CBM3-3260</b>	2"	61,0	49	77,77	102	42,88	90	45	25	M12	1/2
	<b>CBM3-40</b>	2 1/2"	77,0	62	88,90	114	50,80	105	50	25	M12	1/2
138	<b>CBM3-48</b>	3"	77,0	70	106,38	134	61,93	124	51	26	M16	5/8
	<b>CBM3-4876</b>	3"	77,0	62	106,38	134	61,93	124	51	26	M16	5/8
34	<b>CBM3-56</b>	3 1/2"	77,0	70	120,65	152	69,85	136	48	26	M16	5/8
	<b>CBM3-5688</b>	3 1/2"	90,0	82	120,65	152	69,85	136	48	26	M16	5/8
	<b>CBM3-64</b>	4"	77,0	70	130,18	162	77,77	146	48	26	M16	5/8
	<b>CBM3-6488</b>	4"	90,0	82	130,18	162	77,77	146	48	26	M16	5/8

**6000 psi**

414	<b>CBM6-08</b>	1/2"	20,0	14	40,49	57	18,24	46	34	16	M8	5/16
	<b>CBM6-12</b>	3/4"	20,0	14	50,80	71	23,80	55	35	21	M10	3/8
	<b>CBM6-1225</b>	3/4"	25,0	17	50,80	71	23,80	55	35	21	M10	3/8
	<b>CBM6-16</b>	1"	25,0	19	57,15	81	27,76	65	42	25	M12	7/16
	<b>CBM6-1630</b>	1"	30,0	22	57,15	81	27,76	65	42	25	M12	7/16
	<b>CBM6-20</b>	1 1/4"	38,0	28	66,68	95	31,75	78	44	25	M14	1/2
	<b>CBM6-2026</b>	1 1/4"	38,0	26	66,68	95	31,75	78	44	25	M14	1/2
	<b>CBM6-24</b>	1 1/2"	38,0	28	79,38	112	36,50	94	56	28	M16	5/8
	<b>CBM6-2432</b>	1 1/2"	48,6	32	79,38	112	36,50	94	56	28	M16	5/8
	<b>CBM6-32</b>	2"	61,0	40	96,82	134	44,45	114	65	37	M20	3/4
	<b>CBM6-40</b>	2 1/2"	76,6	50	123,80	180	58,70	152	80	45	M24	---

**Как заказать / How to Order:**

 Ответная часть фланца под соединение метрическими болтами  
 Counter flange with metric tapholes

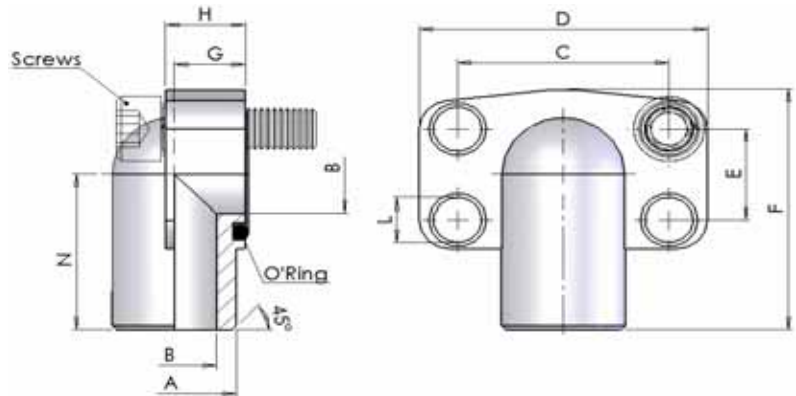
**CBM...08**

 Ответная часть фланца под соединение болтами UNC  
 Counter flange with UNC tapholes

**CBM...08U**

**BB03** **Фланец приварной 90°**  
**BB06**

Weld On 90° Flanges



max pressure bar	part number	SAE size	Dimensions										Viti Screws		O' R type
			A	B	C	D	E	F	G	H	L	N	Metric	Unc	

**3000 psi**

345	<b>BB03-12</b>	3/4"	27,2	19	47,63	70	22,23	63	23,0	21	11,0	41	M10x40	----	3100
	<b>BB03-16</b>	1"	34,5	23	52,37	75	26,19	72	25,0	24	11,0	48	M10x40	----	4112
276	<b>BB03-20</b>	1"1/4	43,0	31	58,72	86	30,18	82	27,0	25	11,5	54	M10x45	----	4150
207	<b>BB03-24</b>	1"1/2	50,0	35	69,85	97	35,71	92	31,5	29	14,0	57	M12x60	----	4187
	<b>BB03-32</b>	2"	65,0	48	77,77	100	42,88	99	37,5	50	14,0	63	M12x70	----	4225

**6000 psi**

414	<b>BB06-12</b>	3/4"	28,0	19	50,80	71	23,80	70	22,0	19	11	40	M10x35	3/8x1"1/2	4100
	<b>BB06-16</b>	1"	34,0	25	57,15	81	27,76	82	27,0	24	13	47	M12x45	7/16x1"3/4	4131
375	<b>BB06-20</b>	1"1/4	42,0	32	66,68	95	31,75	95	32,0	27	15	56	M14x45	1/2x1"3/4	4150
320	<b>BB06-24</b>	1"1/2	48,0	38	79,38	113	36,50	115	40,0	30	17	68	M16x55	5/8x2"	4187

Как заказать / How to Order:

Только фланец / Only Flange

**BB0...12**

 Фланец в комплекте с болтами UNC, шайбами и уплотнительным кол  
 Complete flange with UNC screws, washers and o'ring

**BB0....12U**

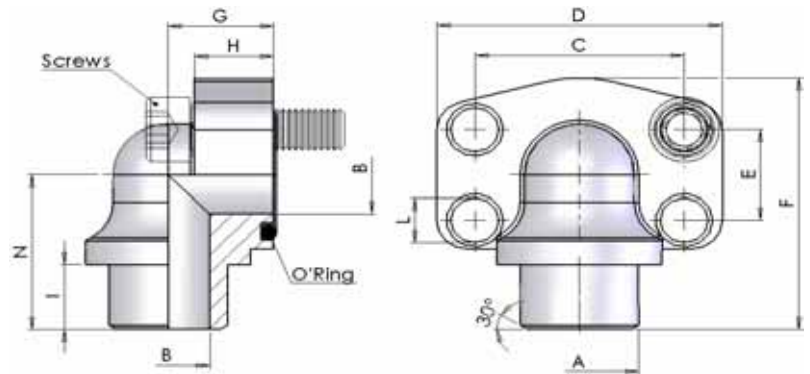
 Фланец в комплекте с метрическими болтами, шайбами и уплотните  
 Complete flange with metric screws, washers and o'ring

**BB0....12M**



**NB03** **Фланец приварной 90°**  
**NB06**

Weld On 90° Flanges



max pressure bar	part number	SAE size	Dimensions											Viti Screws		O' R type
			A	B	C	D	E	F	G	H	I	L	N	Metric	Unc	

**3000 psi**

345	<b>NB03-08</b>	1/2"	21,5	13	38,10	54	17,48	60	20,0	16	16,0	9	37	M8x30	5/16x1"1/4	4075
	<b>NB03-0806</b>	1/2"	17,5	13	38,10	54	17,48	60	20,0	16	16,0	9	37	M8x30	5/16x1"1/4	4075
	<b>NB03-12</b>	3/4"	27,0	19	47,63	65	22,23	63	24,0	18	16,0	11	38	M10x35	3/8x1"1/2	4100
	<b>NB03-16</b>	1"	34,5	25	52,37	70	26,19	70	28,0	19	19,0	11	43	M10x35	3/8x1"1/2	4131
276	<b>NB03-20</b>	1"1/4	42,8	32	58,72	79	30,18	85	34,0	21	21,0	12	51	M10x40	7/16x1"3/4	4150
207	<b>NB03-24</b>	1"1/2	48,6	38	69,85	93	35,71	95	38,0	25	21,0	14	56	M12x45	1/2x1"3/4	4187
	<b>NB03-32</b>	2"	61,0	51	77,77	110	42,88	110	42,0	25	15,0	14	65	M12x45	1/2x1"3/4	4225

**6000 psi**

414	<b>NB06-0808</b>	1/2"	21,5	13	40,49	54	18,24	60	20,0	16	16,0	9	37	M8x30	5/16x1"1/4	4075
	<b>NB06-0806</b>	1/2"	17,5	13	40,49	54	18,24	60	20,0	16	16,0	9	37	M8x30	5/16x1"1/4	4075
	<b>NB06-12</b>	3/4"	28,0	19	50,80	70	23,80	70	28,0	19	17,0	11	43	M10x40	3/8x1"1/2	4100
	<b>NB06-16</b>	1"	34,0	25	57,15	79	27,76	85	34,0	21	19,0	13	51	M12x45	7/16x1"3/4	4131
	<b>NB06-20</b>	1"1/4	42,8	32	66,68	93	31,75	95	38,0	25	19,0	15	56	M14x45	1/2x1"3/4	4150
	<b>NB06-24</b>	1"1/2	48,6	38	79,38	110	36,50	110	42,0	25	24,0	17	65	M16x50	5/8x2"	4187
	<b>NB06-32</b>	2"	61,0	51	96,82	134	44,45	132	45,0	35	18,0	21	75	M20x70	3/4x2"1/2	4225
	<b>NB06-3260</b>	2"	61,0	40	96,82	134	44,45	132	45,0	35	18,0	21	75	M20x70	3/4x2"1/2	4225
<b>NB06-3276</b>	2"	76,0	50	96,82	134	44,45	132	45,0	35	18,0	21	75	M20x70	3/4x2"1/2	4225	

Как заказать / How to Order:

Только фланец / Only Flange

**NB0...08**

 Фланец в комплекте с болтами UNC, шайбами и уплотнительным кол  
 Complete flange with UNC screws, washers and o'ring

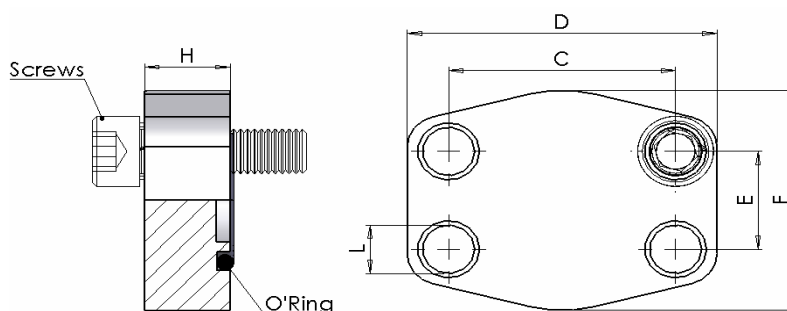
**NB0...08U**

 Фланец в комплекте с метрическими болтами, шайбами и уплотните  
 Complete flange with metric screws, washers and o'ring

**NB0...08M**

**FC03**
**Заглушка фланцевая**
**FC06**

Blind Flanges



max pressure bar	part number	SAE size	Dimensions						Viti Screws		O' R type
			C	D	E	F	H	L	Metric	Unc	

**3000 psi**

345	FC03-08	1/2"	38,10	56	17,48	46	16	9,0	M8x30	5/16x1"1/4	4075
	FC03-12	3/4"	47,63	65	22,23	50	18	11,0	M10x35	3/8x1"1/2	4100
	FC03-16	1"	52,37	70	26,19	60	19	11,0	M10x35	3/8x1"1/2	4131
276	FC03-20	1"1/4	58,72	79	30,18	68	18	11,5	M10x40	7/16x1"3/4	4150
207	FC03-24	1"1/2	69,85	93	35,71	78	20	13,5	M12x45	1/2x1"3/4	4187
	FC03-32	2"	77,77	102	42,88	90	20	13,5	M12x45	1/2x1"3/4	4225
172	FC03-40	2"1/2	88,90	114	50,80	105	20	13,5	M12x45	1/2x1"3/4	4275
138	FC03-48	3"	106,38	134	61,93	124	24	17,5	M16x50	5/8x2"	4337
34	FC03-56	3"1/2	120,65	152	69,85	136	22	17,5	M16x50	5/8x2"	4387
	FC03-64	4"	130,18	162	77,77	146	25	17,5	M16x50	5/8x2"	4437

**6000 psi**

414	FC06-08	1/2"	40,49	56	18,24	48	16	9	M8x30	5/16x1"1/4	4075
	FC06-12	3/4"	50,80	71	23,80	60	19	11	M10x35	3/8x1"1/2	4100
	FC06-16	1"	57,15	81	27,76	70	24	13	M12x45	7/16x1"3/4	4131
	FC06-20	1"1/4	66,68	95	31,75	78	27	15	M14x45	1/2x1"3/4	4150
	FC06-24	1"1/2	79,38	112	36,50	94	30	17	M16x50	5/8x2"	4187
	FC06-32	2"	96,82	134	44,45	114	30	21	M20x60	3/4x2"1/2	4225
	FC06-40	2"1/2	123,80	180	58,70	152	45	26	M24x80	-	4275
	FC06-48	3"	152,40	208	71,40	178	55	33	M30x100	-	4337

Как заказать / How to Order:

Только фланец / Only Flange

**FC0...08**

 Фланец в комплекте с болтами UNC, шайбами и уплотнительным кол  
 Complete flange with UNC screws, washers and o'ring

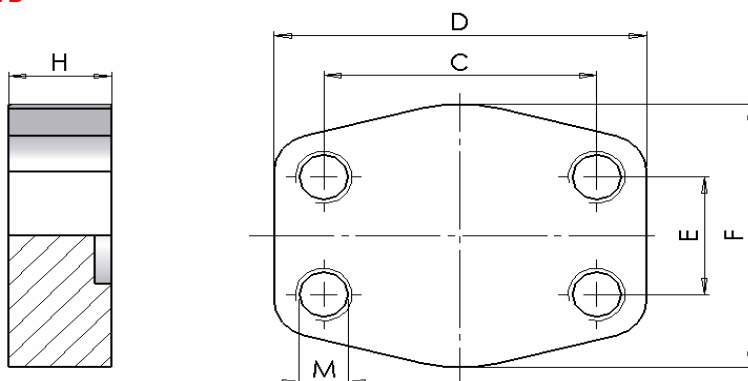
**FC0...08U**

 Фланец в комплекте с метрическими болтами, шайбами и уплотните  
 Complete flange with metric screws, washers and o'ring

**FC0...08M**

**CC03**
**Заглушка фланца, ответная часть**
**CC06**

Blind Counter-Flanges



max pressure bar	part number	SAE size	Dimensions					Metric M	Unc M
			C	D	E	F	H		

**3000 psi**

345	CC03-08	1/2"	38,10	56	17,48	46	16	M8x30	5/16
	CC03-12	3/4"	47,63	65	22,23	50	18	M10x35	3/8
	CC03-16	1"	52,37	70	26,19	60	19	M10x35	3/8
276	CC03-20	1 1/4"	58,72	79	30,18	68	18	M10x40	7/16
207	CC03-24	1 1/2"	69,85	93	35,71	78	20	M12x45	1/2
	CC03-32	2"	77,77	102	42,88	90	20	M12x45	1/2
172	CC03-40	2 1/2"	88,90	114	50,80	105	20	M12x45	1/2
138	CC03-48	3"	106,38	134	61,93	124	24	M16x50	5/8
34	CC03-56	3 1/2"	120,65	152	69,85	136	22	M16x50	5/8
	CC03-64	4"	130,18	162	77,77	146	25	M16x50	5/8

**6000 psi**

414	CC06-08	1/2"	40,49	56	18,24	48	16	M8x30	5/16
	CC06-12	3/4"	50,80	71	23,80	60	19	M10x35	3/8
	CC06-16	1"	57,15	81	27,76	70	24	M12x45	7/16
	CC06-20	1 1/4"	66,68	95	31,75	78	27	M14x45	1/2
	CC06-24	1 1/2"	79,38	112	36,50	94	30	M16x50	5/8
	CC06-32	2"	96,82	134	44,45	114	30	M20x60	3/4
	CC06-40	2 1/2"	123,80	180	58,70	152	45	M24x100	---
	CC06-48	3"	152,40	208	71,40	178	55	M30x100	---

**Как заказать / How to Order:**

 Ответная часть фланца под соединение метрическими болтами  
 Counter flange with metric tapholes

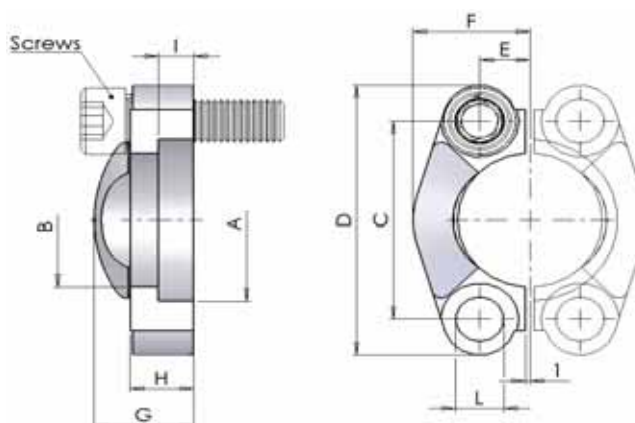
**CC0...08**

 Ответная часть фланца под соединение болтами UNC  
 Counter flange with UNC tapholes

**CC0...08U**

**S003**
**S006**
**Полускоба фланца разделенная**

Cut Split Flanges



max pressure bar	part number	SAE size	Dimensions											Viti Screws	
			A	B	C	D	E	F	G	H	I	L	Metric	Unc	

**3000 psi**

345	<b>S003-08</b>	1/2"	30,96	24,26	38,10	54	8,74	22,8	19	13	6,22	8,75	M8x30	5/16x1"1/4
	<b>S003-12</b>	3/4"	38,89	32,13	47,63	65	11,13	25,9	22	14	6,22	10,75	M10x35	3/8x1"1/2
	<b>S003-16</b>	1"	45,24	38,48	52,37	70	13,08	29,2	24	16	7,49	10,75	M10x35	3/8x1"1/2
276	<b>S003-20</b>	1"1/4	51,59	43,69	58,72	79	15,09	36,3	22	14	7,49	12,00	M10x35	----
207	<b>S003-24</b>	1"1/2	61,09	50,80	69,85	94	17,86	41,1	25	16	7,49	13,50	M12x35	----
	<b>S003-32</b>	2"	72,24	62,74	77,77	102	21,44	48,2	26	16	9,02	13,50	M12x35	----
172	<b>S003-40</b>	2"1/2	84,94	74,93	88,90	114	25,40	54,1	38	19	9,02	13,50	M12x40	1/2x1"3/4
138	<b>S003-48</b>	3"	102,39	90,93	106,38	135	30,96	65,3	41	22	9,02	17,00	M16x50	5/8x2"
34	<b>S003-56</b>	3"1/2	115,1	102,36	120,65	152	34,92	69,5	28	22	10,72	17,00	M16x50	5/8x2"
	<b>S003-64</b>	4"	127,79	115,06	130,18	162	38,88	76,0	35	25	10,72	17,00	M16x50	5/8x2"

**6000 psi**

414	<b>S006-08</b>	1/2"	32,54	24,64	40,49	56	9,12	23,6	22	16	7,24	8,75	M8x30	5/16x1"1/4
	<b>S006-12</b>	3/4"	42,06	32,51	50,80	71	11,91	30,0	28	19	8,26	11,00	M10x35	3/8x1"1/2
	<b>S006-16</b>	1"	48,41	38,86	57,15	81	13,89	34,8	33	24	9,02	13,00	M12x45	----
	<b>S006-20</b>	1"1/4	54,76	44,45	66,68	95	15,88	38,6	38	27	9,78	15,00	----	----
	<b>S006-24</b>	1"1/2	64,29	51,56	79,38	113	18,26	47,5	43	30	12,07	17,00	M16x50	5/8x2"
	<b>S006-32</b>	2"	80,16	67,56	96,82	133	22,23	56,9	52	37	12,07	21,00	M20x70	3/4x2"1/2

Как заказать / How to Order:

Только фланец / Only Flange

**S00...08**

 Фланец в комплекте с болтами UNC, шайбами и уплотнительным кол  
 Complete flange with UNC screws, washers and o'ring

**S00...08U**

 Фланец в комплекте с метрическими болтами, шайбами и уплотните  
 Complete flange with metric screws, washers and o'ring

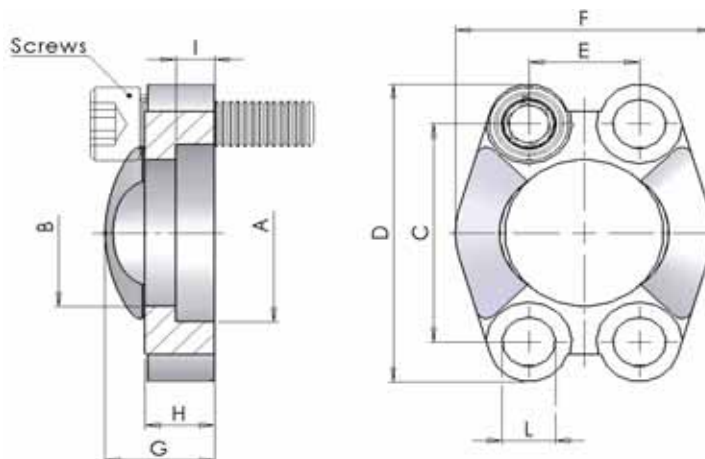
**S00...08M**
**Заметки / Notes:**

Данный продукт продается по-частям

This product is sold by pairs

**SI03**
**SI06**
**Полускоба фланца сдвоенная**

Uncut Split Flanges



max pressure bar	part number	SAE size	Dimensions										Viti Screws	
			A	B	C	D	E	F	G	H	I	L	Metric	Unc

**3000 psi**

345	<b>SI03-08</b>	1/2"	30,96	24,26	38,10	54	17,48	45,6	19	13	6,22	8,75	M8x30	5/16x1"1/4
	<b>SI03-12</b>	3/4"	38,89	32,13	47,63	65	22,23	51,8	22	14	6,22	10,75	M10x35	3/8x1"1/2
	<b>SI03-16</b>	1"	45,24	38,48	52,37	70	26,19	58,4	24	16	7,49	10,75	M10x35	3/8x1"1/2
276	<b>SI03-20</b>	1"1/4	51,59	43,69	58,72	79	30,18	72,6	22	14	7,49	12,00	M10x35	----
207	<b>SI03-24</b>	1"1/2	61,09	50,80	69,85	94	35,71	82,2	25	16	7,49	13,50	M12x35	----
	<b>SI03-32</b>	2"	72,24	62,74	77,77	102	42,88	96,4	26	16	9,02	13,50	M12x35	----
172	<b>SI03-40</b>	2"1/2	84,94	74,93	88,90	114	50,80	108,2	38	19	9,02	13,50	M12x40	1/2x1"3/4
138	<b>SI03-48</b>	3"	102,39	90,93	106,38	135	61,93	130,6	41	22	9,02	16,75	M16x50	5/8x2"
34	<b>SI03-56</b>	3"1/2	115,1	102,36	120,65	152	69,85	139,0	28	22	10,72	17,00	M16x50	5/8x2"
	<b>SI03-64</b>	4"	127,79	115,06	130,18	162	77,77	152,0	35	25	10,72	17,00	M16x50	5/8x2"

**6000 psi**

414	<b>SI06-08</b>	1/2"	32,54	24,64	40,49	56	18,24	47,2	22	16	7,24	8,75	M8x30	5/16x1"1/4
	<b>SI06-12</b>	3/4"	42,06	32,51	50,80	71	23,80	60,0	28	19	8,26	11,00	M10x35	3/8x1"1/2
	<b>SI06-16</b>	1"	48,41	38,86	57,15	81	27,76	69,6	33	24	9,02	13,00	M12x45	----
	<b>SI06-20</b>	1"1/4	54,76	44,45	66,68	95	31,75	77,2	38	27	9,78	15,00	M14x45	----
	<b>SI06-24</b>	1"1/2	64,29	51,56	79,38	113	36,50	95,0	43	30	12,07	17,00	M16x50	5/8x2"
	<b>SI06-32</b>	2"	80,16	67,56	96,82	133	44,45	113,8	52	37	12,07	21,00	M20x70	3/4x2"1/2

Как заказать / How to Order:

Только фланец / Only Flange

**SI0...08**

 Фланец в комплекте с болтами UNC, шайбами и уплотнительным кол  
 Complete flange with UNC screws, washers and o'ring

**SI0....08U**

 Фланец в комплекте с метрическими болтами, шайбами и уплотните  
 Complete flange with metric screws, washers and o'ring

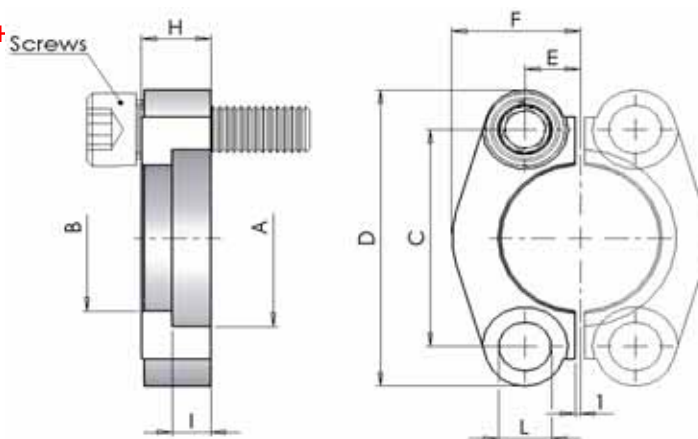
**SI0....08M**

S0P3

S0P6

Плоская полускоба фланца разделит

Cut Flat Split Flanges



max pressure bar	part number	SAE size	Dimensions									Viti Screws	
			A	B	C	D	E	F	H	I	L	Metric	Unc

3000 psi

345	S0P3-08	1/2"	30,96	24,26	38,10	54	8,74	22,8	13	6,22	8,75	M8x30	5/16x1"1/4
	S0P3-12	3/4"	38,89	32,13	47,63	65	11,13	25,9	14	6,22	10,75	M10x35	3/8x1"1/2
	S0P3-16	1"	45,24	38,48	52,37	70	13,08	29,2	16	7,49	10,75	M10x35	3/8x1"1/2
276	S0P3-20	1"1/4	51,59	43,69	58,72	79	15,09	36,3	16	7,49	12,00	M10x35	----
207	S0P3-24	1"1/2	61,09	50,80	69,85	94	17,86	41,1	16	7,49	13,50	M12x35	----
	S0P3-32	2"	72,24	62,74	77,77	102	21,44	48,2	16	9,02	13,50	M12x35	----

6000 psi

414	S0P6-08	1/2"	32,54	24,64	40,49	56	9,12	23,6	16	7,24	8,75	M8x30	5/16x1"1/4
	S0P6-12	3/4"	42,06	32,51	50,80	71	11,91	30,0	19	8,26	11,00	M10x35	3/8x1"1/2
	S0P6-16	1"	48,41	38,86	57,15	81	13,89	34,8	24	9,02	13,00	M12x45	----
	S0P6-20	1"1/4	54,76	44,45	66,68	95	15,88	38,6	27	9,78	15,00	M14x45	----
	S0P6-24	1"1/2	64,29	51,56	79,38	113	18,26	47,5	30	12,07	17,00	M16x50	5/8x2"
	S0P6-32	2"	80,16	67,56	96,82	133	22,23	56,9	37	12,07	21,00	M20x70	3/4x2"1/2

Как заказать / How to Order:

Только фланец / Only Flange

S0P...08

 Фланец в комплекте с болтами UNC, шайбами и уплотнительным кол  
 Complete flange with UNC screws, washers and o'ring

S0P...08U

 Фланец в комплекте с метрическими болтами, шайбами и уплотнител  
 Complete flange with metric screws, washers and o'ring

S0P...08M

**Заметки / Notes:**

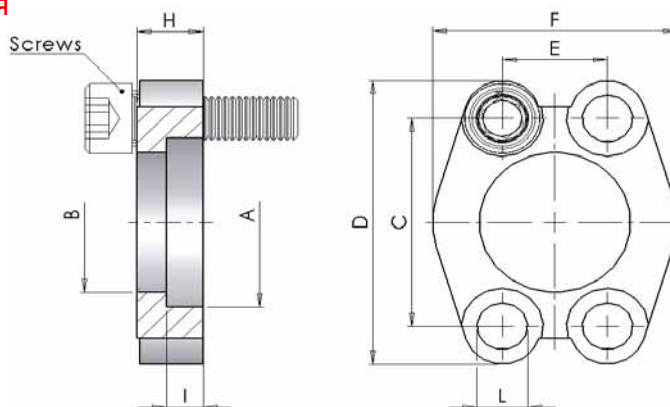
Данный продукт продается по-частям

This product is sold by pairs



**SIP3**
**Плоская полускоба фланца сдвоенная**
**SIP6**

Uncut Flat Split Flanges



max pressure bar	part number	SAE size	Dimensions									Viti Screws	
			A	B	C	D	E	F	H	I	L	Metric	Unc

**3000 psi**

345	SIP3-08	1/2"	30,96	24,26	38,10	54	17,48	45,6	13	6,22	8,75	M8x30	5/16x1"1/4
	SIP3-12	3/4"	38,89	32,13	47,63	65	22,23	51,8	14	6,22	10,75	M10x35	3/8x1"1/2
	SIP3-16	1"	45,24	38,48	52,37	70	26,19	58,4	16	7,49	10,75	M10x35	3/8x1"1/2
276	SIP3-20	1"1/4	51,59	43,69	58,72	79	30,18	72,6	16	7,49	12,00	M10x40	----
207	SIP3-24	1"1/2	61,09	50,80	69,85	94	35,71	82,2	16	7,49	13,50	M12x35	----
	SIP3-32	2"	72,24	62,74	77,77	102	42,88	96,4	16	9,02	13,50	M12x35	----

**6000 psi**

414	SIP6-08	1/2"	32,54	24,64	40,49	56	18,24	47,2	16	7,24	8,75	M8x30	5/16x1"1/4
	SIP6-12	3/4"	42,06	32,51	50,80	71	23,80	60,0	19	8,26	11,00	M10x35	3/8x1"1/2
	SIP6-16	1"	48,41	38,86	57,15	81	27,76	69,6	24	9,02	13,00	M12x45	----
	SIP6-20	1"1/4	54,76	44,45	66,68	95	31,75	77,2	27	9,78	15,00	M14x45	----
	SIP6-24	1"1/2	64,29	51,56	79,38	113	36,50	95,0	30	12,07	17,00	M16x50	5/8x2"
	SIP6-32	2"	80,16	67,56	96,82	133	44,45	113,8	37	12,07	21,00	M20x60	3/4x2"1/2

Как заказать / How to Order:

Только фланец / Only Flange

SIP...08

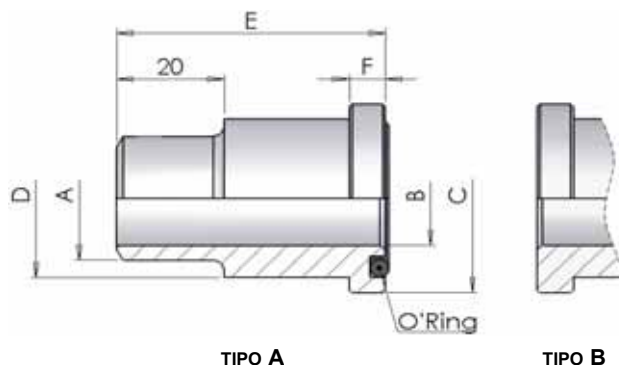
 Фланец в комплекте с болтами UNC, шайбами и уплотнительным кол  
 Complete flange with UNC screws, washers and o'ring

SIP....08U

 Фланец в комплекте с метрическими болтами, шайбами и уплотните  
 Complete flange with metric screws, washers and o'ring

SIP....08M

**EBM3**  
**EBM6** Приварной фланцевый  
адаптер под метрическую  
трубу  
Weld On Adapters for Metric Tube



max pressure bar	part number	SAE size	Dimensions						O' R type
			A	B	C	D	E	F	

**3000 psi**

345	<b>EBM3-08</b>	1/2"	16,0	12	30,2	24,0	41	6,73	4075
	<b>EBM3-12</b>	3/4"	25,0	19	38,1	32,0	50	6,73	4100
	<b>EBM3-16</b>	1"	30,0	22	44,4	38,0	50	8,00	4131
276	<b>EBM3-20</b>	1"1/4	38,0	28	50,8	43,0	55	8,00	4150
207	<b>EBM3-24</b>	1"1/2	45,0	35	60,3	50,0	57	8,00	4187
	<b>EBM3-32</b>	2"	60,0	50	71,4	62,0	57	9,53	4225
172	<b>EBM3-40</b>	2"1/2	70,0	55	84,1	74,0	58	9,53	4275
138	<b>EBM3-48</b>	3"	80,0	68	101,6	90,0	60	9,53	4337
34	<b>EBM3-56</b>	3"1/2	100,0	89	114,3	102,0	80	11,20	4387
	<b>EBM3-64</b>	4"	114,3	99	127,0	114,3	80	11,20	4437

**6000 psi**

414	<b>EBM6-08</b>	1/2"	16,0	12	31,8	24,0	34	7,75	4075
	<b>EBM6-12</b>	3/4"	25,0	18	41,3	32,0	38	8,76	4100
	<b>EBM6-16</b>	1"	30,0	22	47,6	38,0	40	9,53	4131
	<b>EBM6-20</b>	1"1/4	38,0	27	54,0	44,0	45	10,29	4150
	<b>EBM6-24</b>	1"1/2	45,0	32	63,5	51,0	50	12,57	4187
	<b>EBM6-32</b>	2"	60,0	45	79,4	67,0	58	12,57	4225

Как заказать / How to Order:

Адаптер с пазом под уплотнительное кольцо (Тип А)  
Adapter with o-ring groove (Type A)

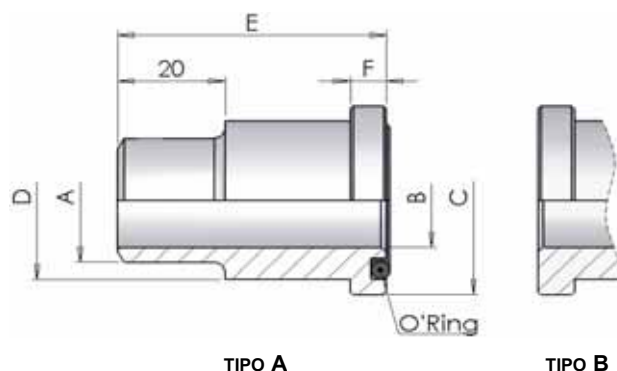
**EBM...08**

Адаптер без паза под уплотнительное кольцо (Тип В)  
Adapter without o-ring groove (Type B)

**EBM...08B**

**EB03** Приварной фланцевый  
**EB06** адаптер

Weld On Adapters



max pressure bar	part number	SAE size	Dimensions						O' R type
			A	B	C	D	E	F	

**3000 psi**

345	EB03-08	1/2"	21,5	13	30,2	24	41	6,73	4075
	EB03-12	3/4"	28,0	19	38,1	32	50	6,73	4100
	EB03-16	1"	34,0	25	44,4	38	50	8,00	4131
276	EB03-20	1 1/4"	42,8	32	50,8	43	55	8,00	4150
207	EB03-24	1 1/2"	48,6	38	60,3	50	57	8,00	4187
	EB03-32	2"	61,0	51	71,4	62	57	9,53	4225

**6000 psi**

414	EB06-08	1/2"	21,5	13	31,8	24	34	7,75	4075
	EB06-12	3/4"	28,0	19	41,3	32	38	8,76	4100
	EB06-16	1"	34,0	25	47,6	38	40	9,53	4131
	EB06-20	1 1/4"	42,8	32	54,0	44	45	10,29	4150
	EB06-24	1 1/2"	48,6	38	63,5	51	50	12,57	4187
	EB06-32	2"	61,0	51	79,4	67	58	12,57	4225

Как заказать / How to Order:

Адаптер с пазом под уплотнительное кольцо (Тип А)  
Adapter with o-ring groove (Type A)

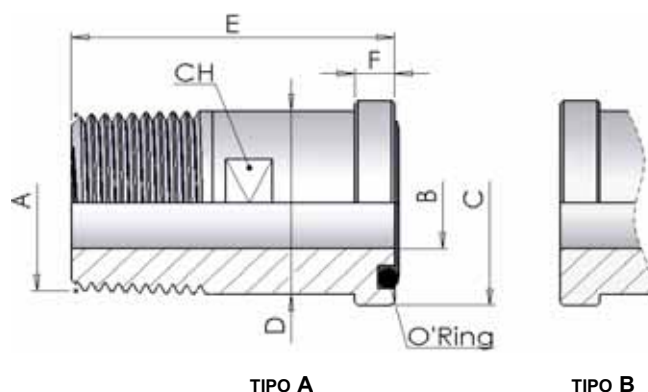
EB0...08

Адаптер без паза под уплотнительное кольцо (Тип В)  
Adapter without o-ring groove (Type B)

EB0...08B

**E0K3** Фланцевый адаптер, резьба  
**E0K6** BSPT

BSP Tapered Threaded Adapters



max pressure bar	part number	SAE size	Dimensions							O' R type
			A	B	C	D	E	F	CH	

**3000 psi**

345	<b>E0K3-08</b>	1/2"	1/2" - BSPT	12	30,2	24	50	6,73	19	4075
	<b>E0K3-12</b>	3/4"	3/4" - BSPT	17	38,1	32	55	6,73	27	4100
	<b>E0K3-16</b>	1"	1" - BSPT	22	44,4	38	60	8,00	32	4131
276	<b>E0K3-20</b>	1 1/4"	1 1/4" - BSPT	27	50,8	43	65	8,00	41	4150
207	<b>E0K3-24</b>	1 1/2"	1 1/2" - BSPT	32	60,3	50	70	8,00	46	4187
	<b>E0K3-32</b>	2"	2" - BSPT	40	71,4	62	75	9,53	55	4225

**6000 psi**

414	<b>E0K6-08</b>	1/2"	1/2" - BSPT	12	31,8	24	50	7,75	19	4075
	<b>E0K6-12</b>	3/4"	3/4" - BSPT	17	41,3	32	60	8,76	26	4100
	<b>E0K6-16</b>	1"	1" - BSPT	22	47,6	38	70	9,53	32	4131
	<b>E0K6-20</b>	1 1/4"	1 1/4" - BSPT	27	54,0	44	75	10,29	36	4150
	<b>E0K6-24</b>	1 1/2"	1 1/2" - BSPT	32	63,5	51	80	12,57	41	4187
	<b>E0K6-32</b>	2"	2" - BSPT	40	79,4	67	90	12,57	55	4225

Как заказать / How to Order:

Адаптер с пазом под уплотнительное кольцо (Тип А)  
 Adapter with o-ring groove (Type A)

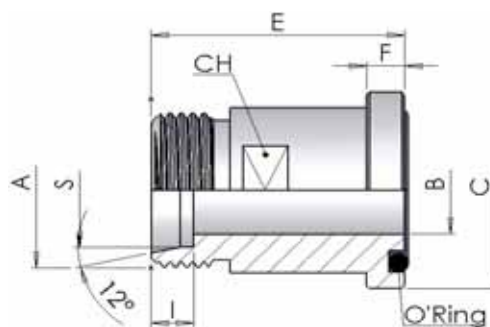
E0K...08

Адаптер без паза под уплотнительное кольцо (Тип В)  
 Adapter without o-ring groove (Type B)

E0K...08B

**E0D3** **Фланцевый адаптер,**  
**E0D6** **метрический DIN 3901-3902**

DIN 3901-3902 Metric Threaded Adapters



max pressure bar	part number	SAE size	Dimensions									O' R type
			A	type	B	C	E	F	I	S	CH	

**3000 psi**

315	<b>E0D3-0815</b>	1/2"	M22x1,5	L	12	30,2	48	6,73	7,0	15	24	4075
350	<b>E0D3-0816</b>	1/2"	M24x1,5	S	12	30,2	50	6,73	8,5	16	24	4075
315	<b>E0D3-1218</b>	3/4"	M26x1,5	L	15	38,1	53	6,73	7,5	18	30	4100
160	<b>E0D3-1222</b>	3/4"	M30x2	L	19	38,1	53	6,73	7,5	22	30	4100
350	<b>E0D3-1220</b>	3/4"	M30x2	S	16	38,1	57	6,73	10,5	20	30	4100
	<b>E0D3-1225</b>	3/4"	M36x2	S	17	38,1	57	6,73	12,0	25	30	4100
160	<b>E0D3-1622</b>	1"	M30x2	L	19	44,4	56	8,00	7,5	22	27	4131
	<b>E0D3-1628</b>	1"	M36x2	L	24	44,4	54	8,00	7,5	28	36	4131
350	<b>E0D3-1625</b>	1"	M36x2	S	20	44,4	58	8,00	12,0	25	36	4131
	<b>E0D3-1630</b>	1"	M42x2	S	24	44,4	63	8,00	13,5	30	36	4131
160	<b>E0D3-2028</b>	1"1/4	M36x2	L	22	50,8	58	8,00	7,5	28	36	4150
	<b>E0D3-2035</b>	1"1/4	M45x2	L	30	50,8	58	8,00	10,5	35	41	4150
280	<b>E0D3-2025</b>	1"1/4	M36x2	S	20	50,8	60	8,00	12,0	25	41	4150
	<b>E0D3-2030</b>	1"1/4	M42x2	S	25	50,8	62	8,00	13,5	30	41	4150
160	<b>E0D3-238</b>	1"1/4	M52x2	S	28	50,8	66	8,00	16,0	38	41	4150
210	<b>E0D3-2442</b>	1"1/2	M52x2	L	36	60,3	64	8,00	11,0	42	46	4187
210	<b>E0D3-2438</b>	1"1/2	M52x2	S	32	60,3	70	8,00	16,0	38	46	4187

**6000 psi**

400	<b>E0D6-0816</b>	1/2"	M24x1,5	S	12	31,8	53	7,75	8,5	16	24	4075
	<b>E0D6-1216</b>	3/4"	M24x1,5	S	12	41,3	59	8,76	8,5	16	30	4100
	<b>E0D6-1220</b>	3/4"	M30x2	S	16	41,3	61	8,76	10,5	20	30	4100
	<b>E0D6-1225</b>	3/4"	M36x2	S	17	41,3	63	8,76	12,0	25	30	4100
	<b>E0D6-1230</b>	3/4"	M42x2	S	18	41,3	64	8,76	13,5	30	36	4100
	<b>E0D6-1625</b>	1"	M36x2	S	20	47,6	72	9,53	12,0	25	36	4131
	<b>E0D6-1630</b>	1"	M42x2	S	24	47,6	74	9,53	13,5	30	36	4131
	<b>E0D6-2030</b>	1"1/4	M42x2	S	25	54,0	79	10,29	13,5	30	41	4150
	<b>E0D6-2038</b>	1"1/4	M52x2	S	30	54,0	83	10,29	16,0	38	46	4150
	<b>E0D6-2438</b>	1"1/2	M52x2	S	30	63,5	89	12,57	16,0	38	46	4187

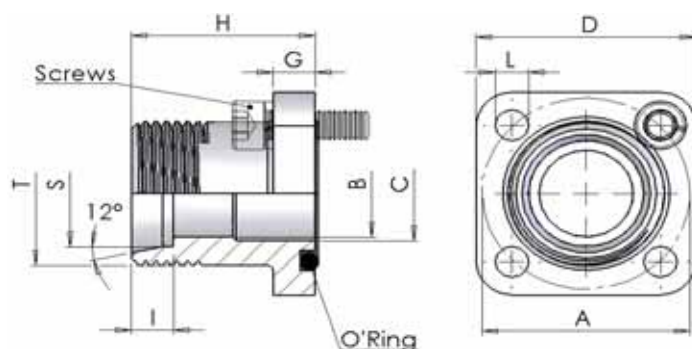
Как заказать / How to Order:

Только фланец / Only Flange

E0D...18

## MDD0 Фланцевый адаптер, метрический DIN 2353

DIN 2353 Metric Threaded Straight Connectors



max pressure bar	part number	Dimensions									Viti Screws	O' R
		A	B	C	D	S	T	G	H	L	Metric	type
315	MDD0-3510	35	8	12	39	10	M16x1,5	8	30	6,4	M6x20	3075
	MDD0-3512	35	10	12	39	12	M18x1.5	8	30	6,4	M6x20	3075
250	MDD0-3515	35	12	12	39	15	M22x1.5	8	30	6,4	M6x20	3075
	MDD0-3516	35	12	12	39	16	M24x1.5	8	30	6,4	M6x20	3075
	MDD0-3518	35	12	12	39	18	M26x1.5	8	30	6,4	M6x20	3075
100	MDD0-4015	40	12	19	42	15	M22x1.5	8	35	6,4	M6x20	132
	MDD0-4018	40	15	19	42	18	M26x1.5	8	35	6,4	M6x20	132
	MDD0-4022	40	19	19	42	22	M30x2	8	35	6,4	M6x20	132
	MDD0-4028	40	20	20	42	28	M36x2	8	42	6,4	M6x20	132

Как заказать / How to Order:

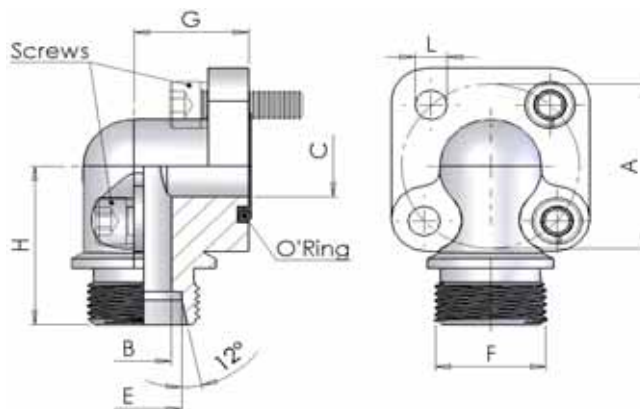
Только фланец / Only Flange

MDD...10

Фланец в комплекте с метрическими болтами, шайбами и уплотнителем  
Complete flange with metric screws, washers and o'ring

MDD....10M

**G4D0** Фланцевый адаптер 90°, метрика DIN 2353, 4 фиксирующих отверстия  
 DIN 2353 Metric Threaded 90° Connectors with 4 Fixing Holes



max pressure bar	part number	Dimensions								Viti Screws	O' R
		A	B	C	E	F	G	H	L	Metric	type
300	<b>G4D0-3510</b>	35	8	13	10	M16x1,5	18	41,5	6,4	N.2 M6x35 N.2 M6x20	3075
300	<b>G4D0-3512</b>	35	10	13	12	M18x1.5	18	41,5	6,4	N.2 M6x35 N.2 M6x20	3075
250	<b>G4D0-3515</b>	35	12	13	15	M22x1.5	18	41,5	6,4	N.2 M6x35 N.2 M6x20	3075
250	<b>G4D0-3516</b>	35	12	13	16	M24x1.5	18	41,5	6,4	N.2 M6x35 N.2 M6x20	3075
250	<b>G4D0-3518</b>	35	12	13	18	M26x1.5	18	41,5	6,4	N.2 M6x35 N.2 M6x20	3075
100	<b>G4D0-4015</b>	40	12	19	15	M22x1.5	24	41,5	6,4	N.2 M6x45 N.2 M6x20	132
100	<b>G4D0-4018</b>	40	15	19	18	M26x1.5	24	41,5	6,4	N.2 M6x45 N.2 M6x20	132
100	<b>G4D0-4022</b>	40	17	19	22	M30x2	24	41,5	6,4	N.2 M6x45 N.2 M6x20	132

Как заказать / How to Order:

Только фланец / Only Flange

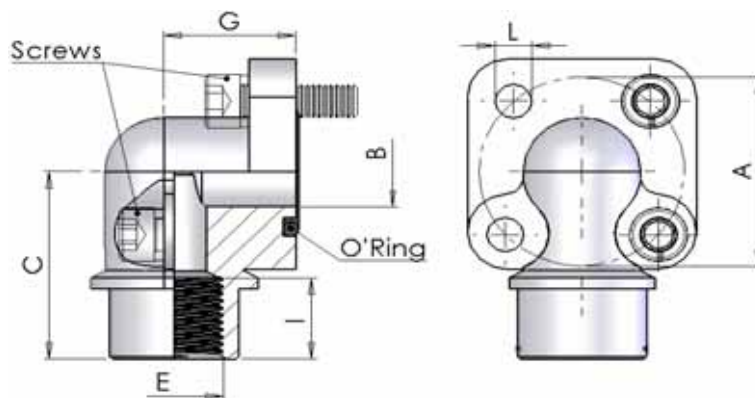
G4D0...10

Фланец в комплекте с метрическими болтами, шайбами и уплотнителем  
 Complete flange with metric screws, washers and o'ring

G4D0....10M



**G4G0** Фланцевый адаптер 90°,  
 BSP, 4 фиксирующих  
 отверстия  
 BSP Threaded 90° Connectors with 4 Fixing  
 Holes



max pressure bar	part number	Dimensions							Viti Screws		O' R type
		A	B	C	D	E	G	L	Metric		
300	<b>G4G0-3506</b>	35	13	41,5	16	3/8"GAS	18	6,4	N.2 M6x35 N.2 M6x20	3075	
300	<b>G4G0-3508</b>	35	13	41,5	19	1/2"GAS	18	6,4	N.2 M6x35 N.2 M6x20	3075	
300	<b>G4G0-4008</b>	40	19	41,5	19	1/2"GAS	24	6,4	N.2 M6x45 N.2 M6x20	132	
300	<b>G4G0-4012</b>	40	19	41,5	19	3/4"GAS	24	6,4	N.2 M6x45 N.2 M6x20	132	

Как заказать / How to Order:

Только фланец / Only Flange

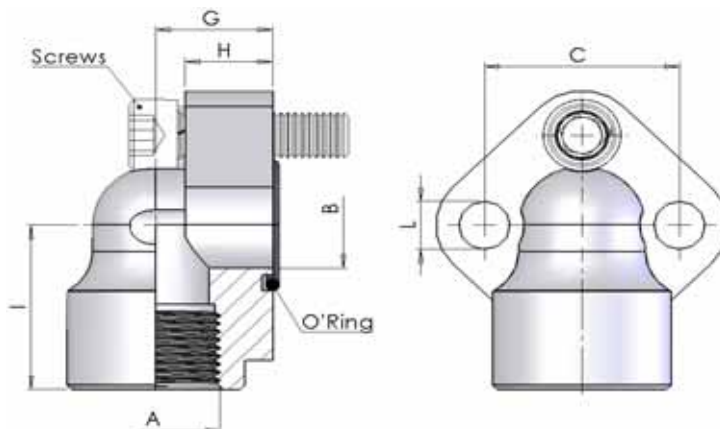
G4G0...12

Фланец в комплекте с метрическими болтами, шайбами и уплотнителем  
 Complete flange with metric screws, washers and o'ring

G4G0....12M

## G3G0 Адаптер 90°, 3 фиксирующих отверстия

Pump Elbows With Three Fixing Holes



max pressure bar	part number	Gruppo Pompa	Dimensions							Viti	O' R
			A	B	C	G	H	I	L	Screws	
300	<b>G3G0-2606</b>	0,5	3/8" GAS	11	26	17	8	24	5,3	Metric	type
300	<b>G3G0-2608</b>	0,5	1/2" GAS	11	26	17	8	24	5,3	M5x20	2056
300	<b>G3G0-3006</b>	1,0	3/8" GAS	12	30	17	8	24	6,4	M6x20	121
300	<b>G3G0-3008</b>	1,0	1/2" GAS	12	30	17	8	26	6,4	M6x20	121
300	<b>G3G0-4008</b>	2,0	1/2" GAS	19	40	21	10	30	8,5	M8x25A	132
300	<b>G3G0-4012</b>	2,0	3/4" GAS	19	40	21	10	30	8,5	M8x25A	132
300	<b>G3G0-5112</b>	3,0	3/4" GAS	26	51	26	13	45	10,5	M10x30A	3125
300	<b>G3G0-5116</b>	3,0	1" GAS	26	51	26	13	45	10,5	M10x30A	3125
300	<b>G3G0-5612</b>	3,0	3/4" GAS	26	56	26	13	45	10,5	M10x30A	3125
300	<b>G3G0-5613</b>	3,0	1" GAS	26	56	26	13	45	10,5	M10x30A	3125

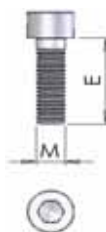
Как заказать / How to Order:

Только фланец / Only Flange

G3G0...08

Фланец в комплекте с метрическими болтами, шайбами и уплотнителем  
Complete flange with metric screws, washers and o'ring

G3G0....08M

**SCM3  
SCM6**
**Набор фланца SAE - (Метрика)\***
*Kit for SAE flange - (Metric)\**


part number	SAE	O' R			Viti	Rondelle
	size	code	d1	d2	Screws code	Washers code

**3000 psi**

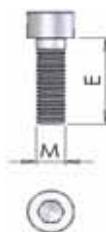
<b>SCM3-08</b>	1/2"	8-4075	18,64	3,53	VSEIM-08x30	RVSM-08
<b>SCM3-12</b>	3/4"	8-4100	24,99	3,53	VSEIM-10x35	RVSM-10
<b>SCM3-16</b>	1"	8-4131	32,92	3,53	VSEIM-10x40	RVSM-10
<b>SCM3-20</b>	1"1/4	8-37.69X3.53	37,69	3,53	VSEIM-10x40	RVSM-10
<b>SCM3-24</b>	1"1/2	8-4187	47,22	3,53	VSEIM-12x45	RVSM-12
<b>SCM3-32</b>	2"	8-4225	56,74	3,53	VSEIM-12x45	RVSM-12
<b>SCM3-40</b>	2"1/2	8-4275	69,44	3,53	VSEIM-12x45	RVSM-12
<b>SCM3-48</b>	3"	8-4337	85,32	3,53	VSEIM-16x50	RVSM-16
<b>SCM3-56</b>	3"1/2	8-4387	98,02	3,53	VSEIM-16x50	RVSM-16
<b>SCM3-64</b>	4"	8-4437	110,72	3,53	VSEIM-16x50	RVSM-16

**6000 psi**

<b>SCM6-08</b>	1/2"	8-4075	18,64	3,53	VSEIM-08x30	RVSM-08
<b>SCM6-12</b>	3/4"	8-4100	24,99	3,53	VSEIM-10x40	RVSM-10
<b>SCM6-16</b>	1"	8-4131	32,92	3,53	VSEIM-12x45	RVSM-12
<b>SCM6-20</b>	1"1/4	8-37.69X3.53	37,69	3,53	VSEIM-14x45	RVSM-14
<b>SCM6-24</b>	1"1/2	8-4187	47,22	3,53	VSEIM-16x50	RVSM-16
<b>SCM6-32</b>	2"	8-4225	56,74	3,53	VSEIM-20x70	RVSM-20
<b>SCM6-40</b>	2"1/2	8-4275	69,44	3,53	VSEIM-24x80	RVSM-24
<b>SCM6-48</b>	3"	8-4337	85,32	3,53	VSEIM-30x100	RVSM-30

\* - Набор фланца SAE (метрический) состоит из 4-х метрических болтов, 4-х шайб и 1-го уплотнительного кольца.

\* - The Kit for SAE flange (metric), is composed by n.4 metric screws, n. 4 washers and n.1 o-ring.

**SCU3**  
**SCU6**
**Набор фланца SAE - (UNC)\***
*Kit for SAE flange - (UNC)\**


part number	SAE	O' R			Viti	Rondelle
	size	code	d1	d2	Screws	Washers
					code	code

**3000 psi**

<b>SCU3-08</b>	1/2"	8-4075	18,64	3,53	VSEIU-5/16x1-1/4	RVSU-5/16
<b>SCU3-12</b>	3/4"	8-4100	24,99	3,53	VSEIU-3/8x1-1/2	RVSU-3/8
<b>SCU3-16</b>	1"	8-4131	32,92	3,53	VSEIU-3/8x1-1/2	RVSU-3/8
<b>SCU3-20</b>	1"1/4	8-37.69X3.53	37,69	3,53	VSEIU-7/16x1-3/4	RVSU-7/16
<b>SCU3-24</b>	1"1/2	8-4187	47,22	3,53	VSEIU-1/2x1-3/4	RVSU-1/2
<b>SCU3-32</b>	2"	8-4225	56,74	3,53	VSEIU-1/2x1-3/4	RVSU-1/2
<b>SCU3-40</b>	2"1/2	8-4275	69,44	3,53	VSEIU-1/2x1-3/4	RVSU-1/2
<b>SCU3-48</b>	3"	8-4337	85,32	3,53	VSEIU-5/8x2	RVSU-5/8
<b>SCU3-56</b>	3"1/2	8-4387	98,02	3,53	VSEIU-5/8x2	RVSU-5/8
<b>SCU3-64</b>	4"	8-4437	110,72	3,53	VSEIU-5/8x2	RVSU-5/8

**6000 psi**

<b>SCU6-08</b>	1/2"	8-4075	18,64	3,53	VSEIU-5/16x1-1/4	RVSU-5/16
<b>SCU6-12</b>	3/4"	8-4100	24,99	3,53	VSEIU-3/8x1-1/2	RVSU-3/8
<b>SCU6-16</b>	1"	8-4131	32,92	3,53	VSEIU-7/16x1-3/4	RVSU-7/16
<b>SCU6-20</b>	1"1/4	8-37.69X3.53	37,69	3,53	VSEIU-1/2x1-3/4	RVSU-1/2
<b>SCU6-24</b>	1"1/2	8-4187	47,22	3,53	VSEIU-5/8x2	RVSU-5/8
<b>SCU6-32</b>	2"	8-4225	56,74	3,53	VSEIU-3/4x2-1/2	RVSU-3/4

\* - Набор фланца SAE (UNC) состоит из 4-х UNC болтов, 4-х шайб и 1-го уплотнительного кольца.

\* - The Kit for SAE flange (UNC), is composed by n.4 UNC screws, n. 4 washers and n.1 o-ring.